

PolyPump Ltd

Providing your pumping solutions

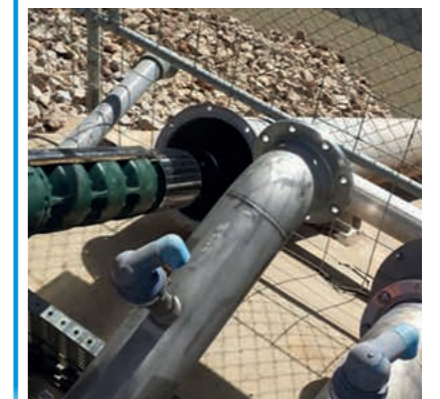
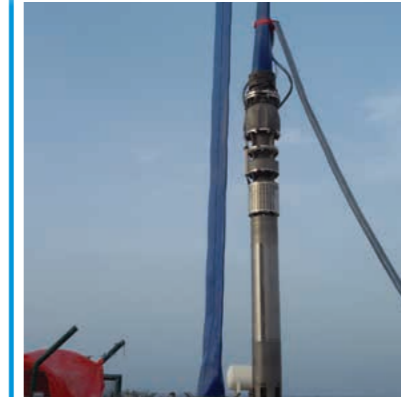
sales@polypump.co.uk
01296 488 294

Borehole Electric Pumps 6" – 22"



caprari
pumping power

caprari



Ideal for

WATER SUPPLY

CONDITIONING

UNDERGROUND WATER TABLE
LEVEL CONTROL

INDUSTRY

SNOWMAKING

FIRE FIGHTING

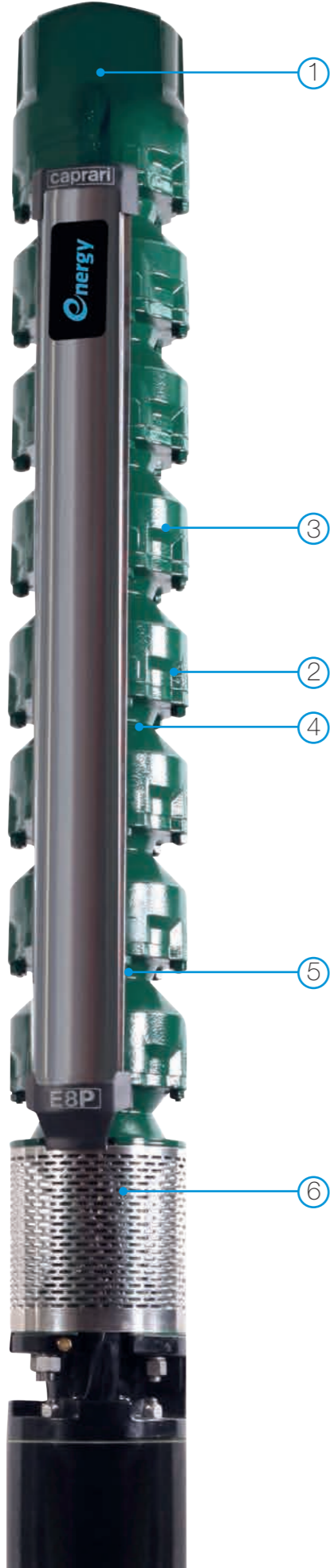
SYSTEMS FOR GREENHOUSES,
GARDENING AND LEISURE

REVERSE OSMOSIS

A UNIQUE RANGE THE WIDEST
RANGE FOR
ALL DEMANDING
APPLICATIONS

Borehole Electric Mixed Flow pumps 6" - 8"

Innovative materials and pioneering research methods integrated into a sophisticated production processes produce the distinguishing features of the Energy series. This ensures the highest reliability and performance on the market. Machines conform to 2009/125/EC Directive (EcoDesign - ErP).



1 **VERSATILITY OF INSTALLATION**
Threaded coupling or DIN and ANSI flange options.

BEST IN CLASS EFFICIENCIES AND PERFORMANCES

2 **CAST IRON IMPELLERS**
Strong and reliable. Guaranteed duty performances thanks to impeller trimming.

3 **ADVANCED CASTING TECHNOLOGIES**
Smooth and seamless surfaces ensures continual high performance by minimizing surface resistance.

4 **MASSIVE CONSTRUCTION OF THE COMPONENTS**
High thickness ensures a long working life and wear resistance.

4 **BEARING BUSHES NEW DESIGN**
With stainless steel spring core and new lip design that avoids liquid recirculation to increase the performance. Easy to disassemble for maintenance.

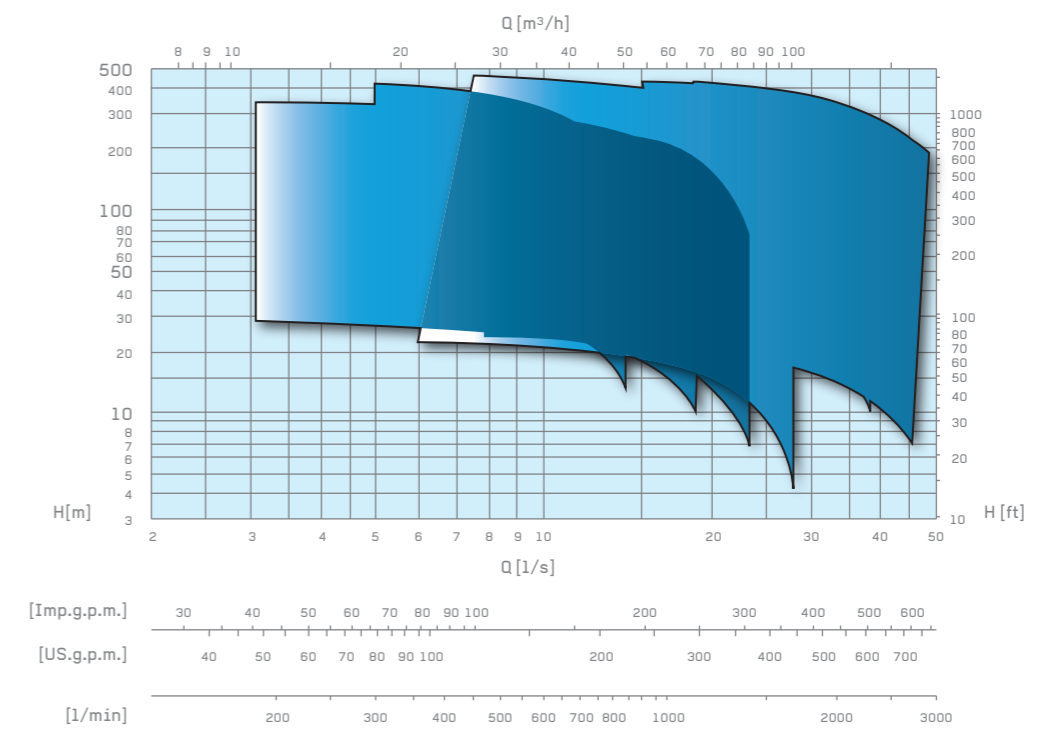
5 **WEAR RINGS NEW DESIGN**
With stainless steel core and new lip design that avoids liquid recirculation to increase the performance.

6 **DEFENDER® CAPRARI INTERNATIONAL PATENT**
Ultra-resistance against the corrosion: increases component passivation, protecting the pump from the first moments after the installation.

Capacity up to 48 l/s	Head up to 460 m	Power up to 110 kW	Poles 2
---------------------------------	----------------------------	------------------------------	-------------------



6" - 8"



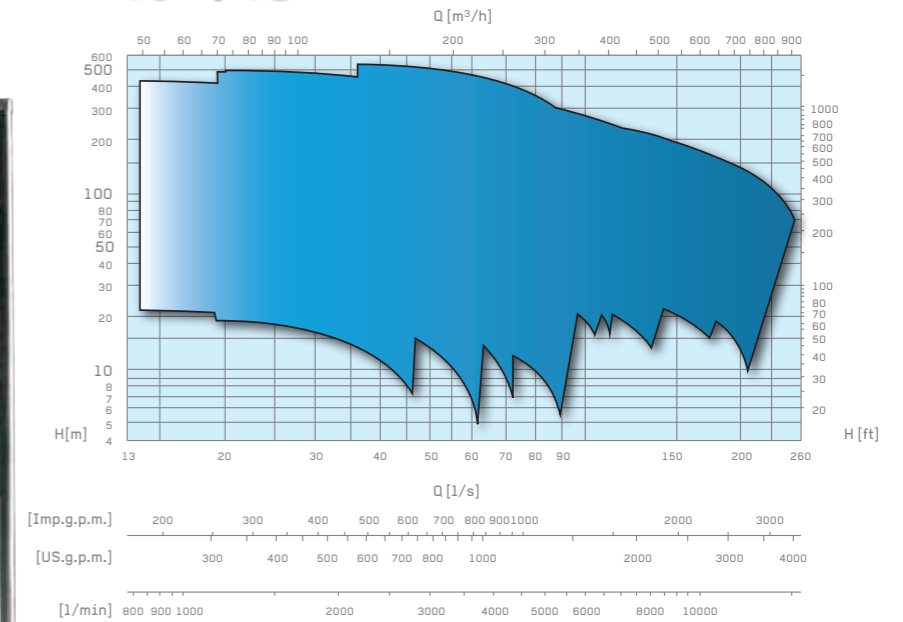
Borehole Electric Mixed Flow pumps 10"÷22"

Ideal for medium-large flow rates and heads, thanks to the high density of models in the range. Coupled with 2 and 4 pole motors, these pumps guarantee performance and market leading efficiencies. The massive structure of the cast iron, bronze and stainless steel components guarantees sturdiness, reliability and long life, even in heavy operating conditions and in the presence of sand.

Thousands of pumps have been installed globally in various sectors: agriculture, water supply, reclamation systems and industrial applications. The high efficiency guarantees great energy and economic savings, fundamental element for pump selection.

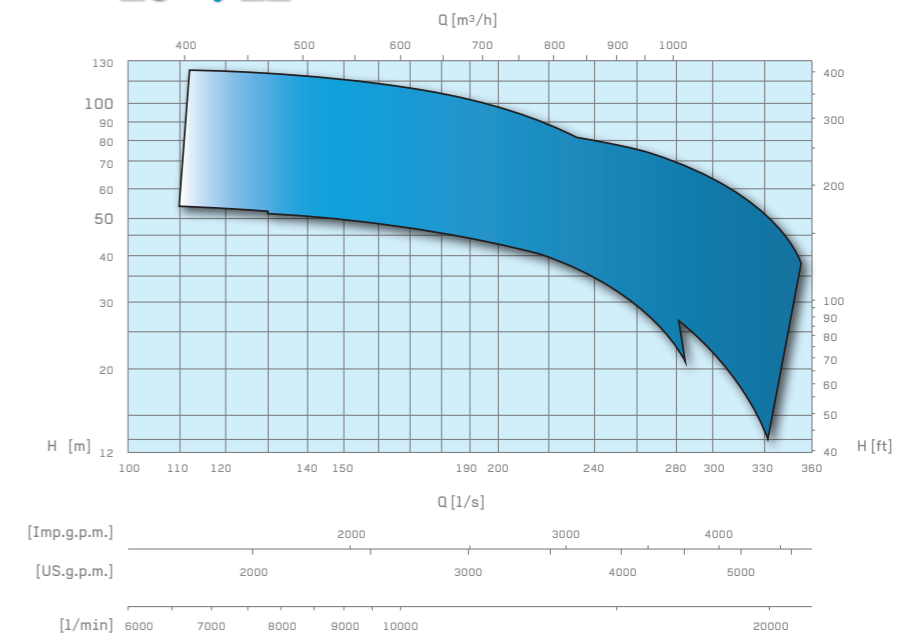


10" ÷ 18"



Capacity up to 250 l/s	Head up to 600 m	Power up to 440 kW	Poles 2/4
----------------------------------	----------------------------	------------------------------	---------------------

20" ÷ 22"



Capacity up to 350 l/s	Head up to 130 m	Power up to 295 kW	Poles 4
----------------------------------	----------------------------	------------------------------	-------------------

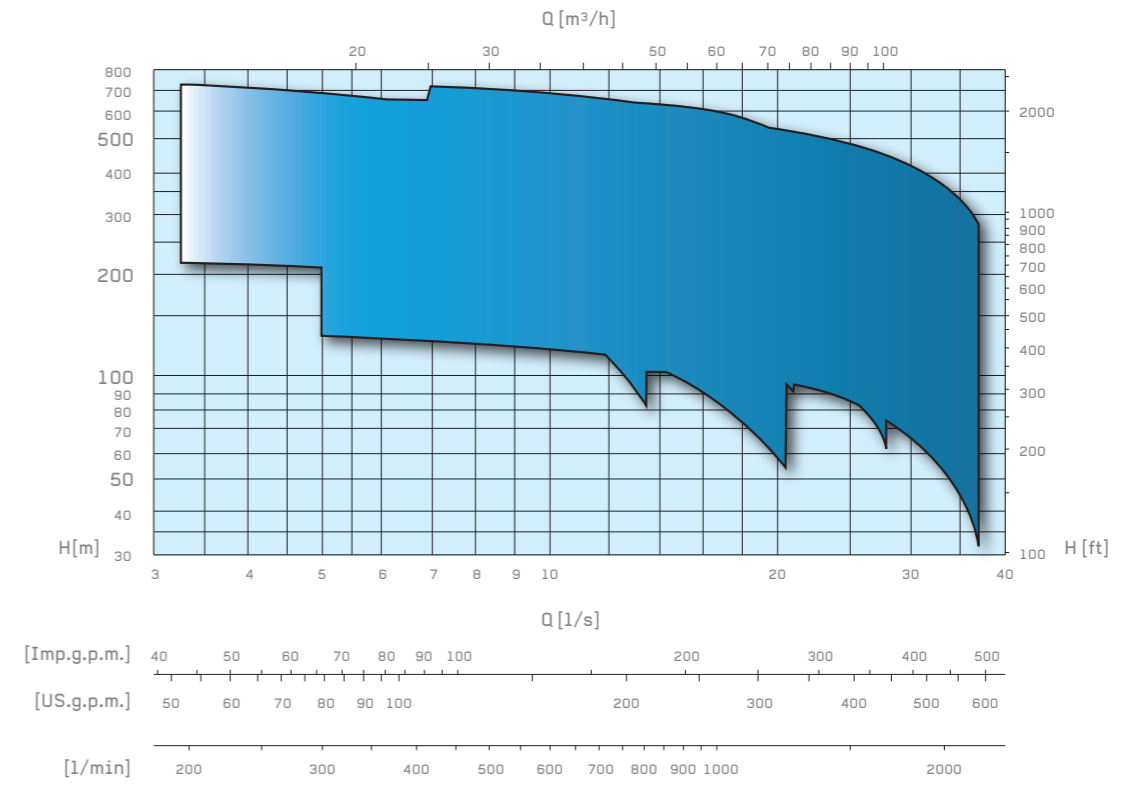
Borehole Electric Radial pumps 8" - 10"

Ideal for installations at great depths and high heads: design allows pressures up to 770 m to be obtained. Thanks to the limited axial dimensions of the wet-end these pumps are compact and reliable even with a high number of stages.

High quality pumps are designed to last and to ensure peak performance and efficiency under heavy duty operating conditions, even at great installation depths and extremely high heads.



8" - 10"

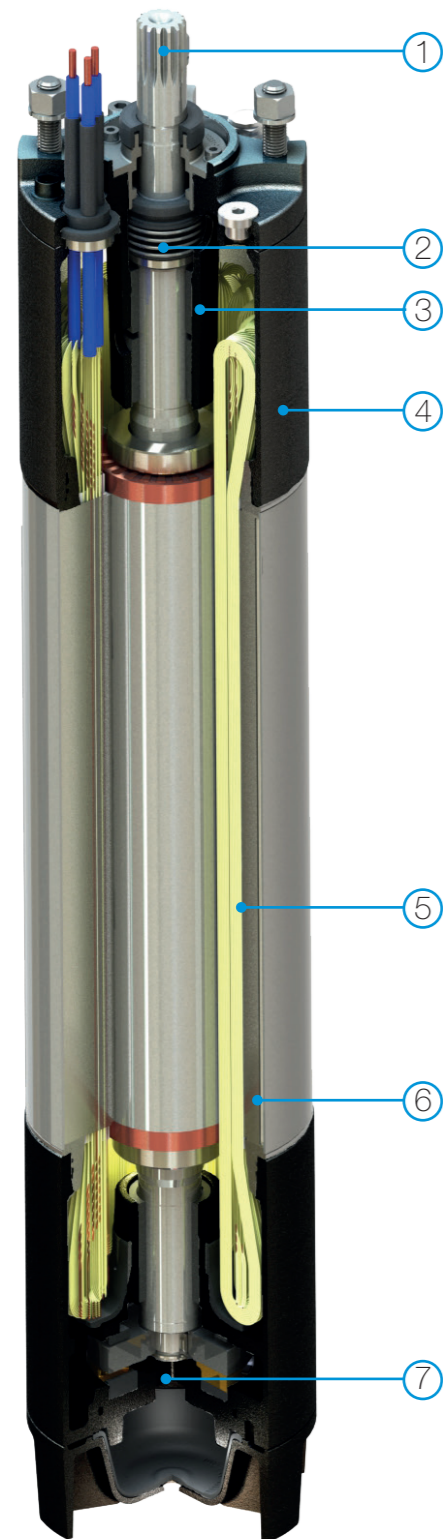


Capacity up to 37 l/s	Head up to 770 m	Power up to 185 kW	Poles 2
---------------------------------	----------------------------	------------------------------	-------------------



MAC Submersible Motors

Made in Italy, rewindable three-phase asynchronous motors, water filled for perfect cooling and safe lubrication. 2/4 poles, 50/60 Hz motor, IP68 protection degree, power up to 440 kW three-phase, flanging according to NEMA6-8 standards and drinking water certification. Also available in shaft key version. High efficiency and performances provide sustained economic and energy savings. Caprari design and patents are a guarantee of quality and reliability over time. The exclusive electrical project, result of Caprari know-how, provides ideal operating efficiency both in deep wells and in industrial and aqueduct applications. They are available in different materials and with PE2+PA windings for applications with hot water or inverter.



MOTOR PROTECTOR®
CAPRARI INTERNATIONAL PATENT
Pump-motor coupling protection: the area is sealed to protect the coupling and the mechanical seal of the motor from sand.



1 STAINLESS STEEL SHAFT
The best mechanical and corrosion resistance. Made in duplex for full stainless steel versions. Available in shaft key version.



2 SIC/SIC MECHANICAL SEAL
Ideal for liquids with a high sand content. Exceptional resistance to high temperatures.



3 LINE BEARINGS
Self-lubricating composite material guarantees high resistance and precision of alignment both in working conditions and during motor handling.



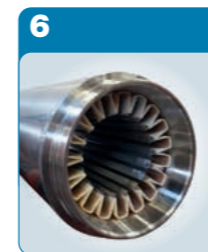
4 CASTING BRACKETS
Cast iron massive components are produced by casting process. Guarantee of robustness. Made in stainless steel for full stainless steel versions.



5 WINDINGS
in PVC (green wire) lead-free environmental-friendly and in PPC, reliable and durable.

High resistance to:

- intermittent operation
- high voltage spikes
- high frequency switching (VFD)
- overheating



6 STATOR
In stainless steel AISI 316, standard also in cast iron motors. The best solution against corrosion.

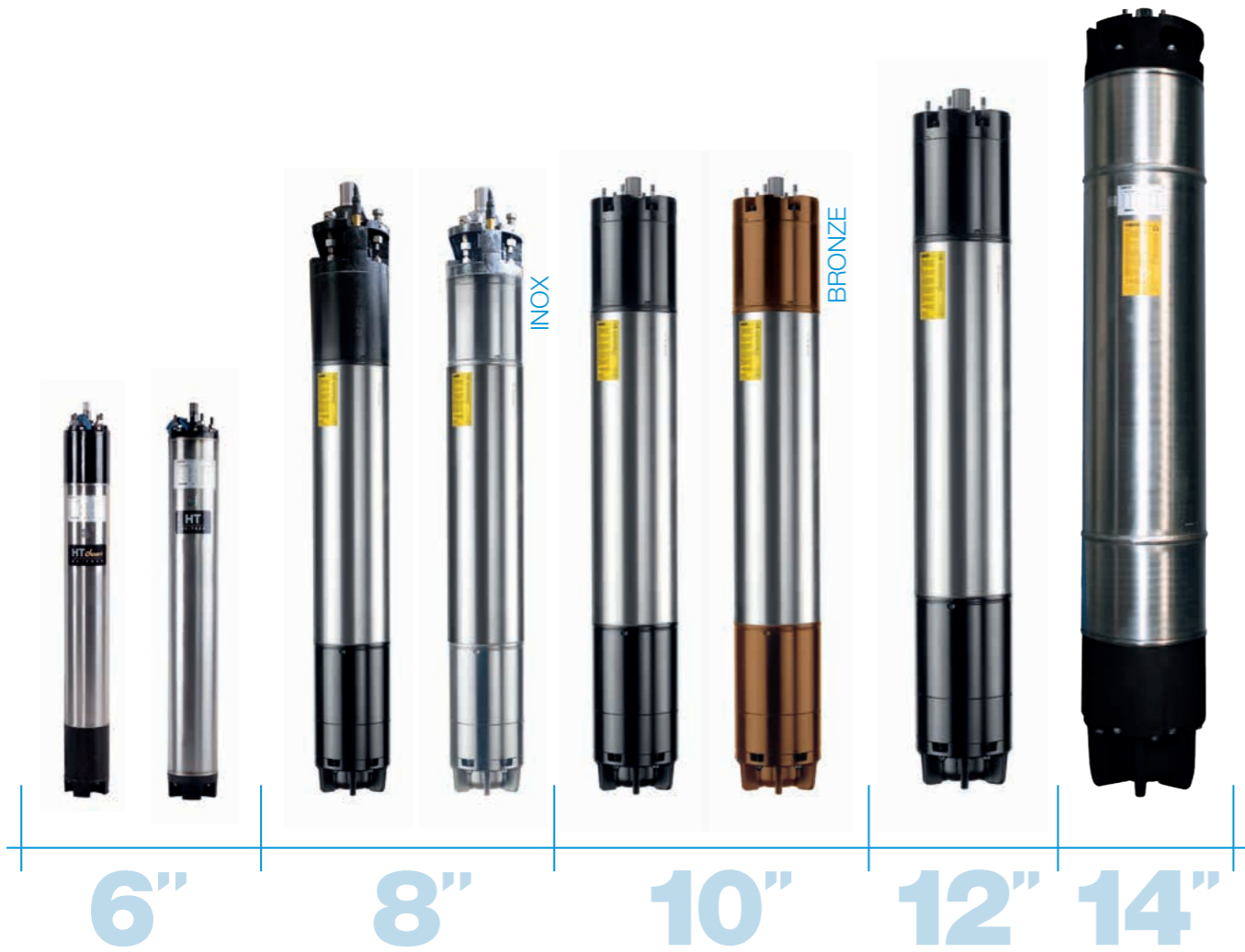


7 HT THRUST BEARING®
CAPRARI INTERNATIONAL PATENT

- extreme reliability and strong resistance to the axial thrust up to 70.000N.
- wide safety-margin against axial thrust generated by wet-ends.

MAC 6"÷14"

caprari



HT Bearing
for MAC 6 | MAC 8 | MAC 10

Caprari International Patent

UP TO 45.000 N

UP TO 50.000 N

UP TO 70.000 N



PERFORMANCE

Highest efficiency thanks to stack and motor length.
Highest rpm values increase the wet-end performances.

2 POLES

Frequency 37 Hz	Power up to 440 kW
--------------------	-----------------------

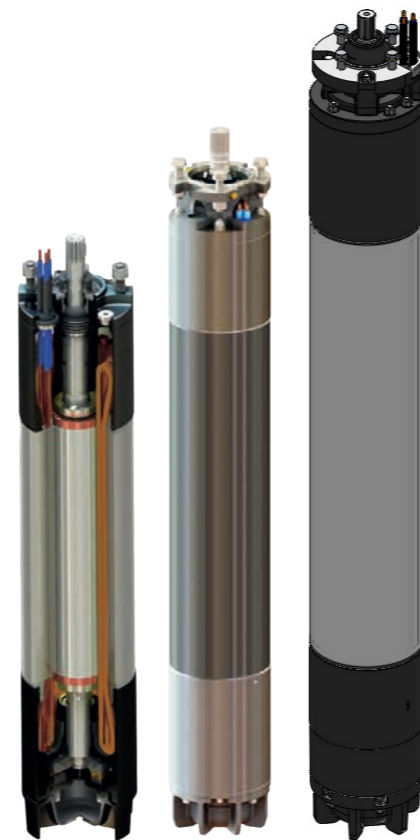
4 POLES

Frequency 50-60 Hz	Power up to 295 kW
-----------------------	-----------------------



CPLUS Submersible Motors

CPLUS motors are the best driving solutions for submersible electric pumps driven by VSD (Variable Speed Drive) even in critical liquid temperature conditions. The windings come with a double insulating layer and the technical upgrades make the CPLUS motors even more robust and reliable.



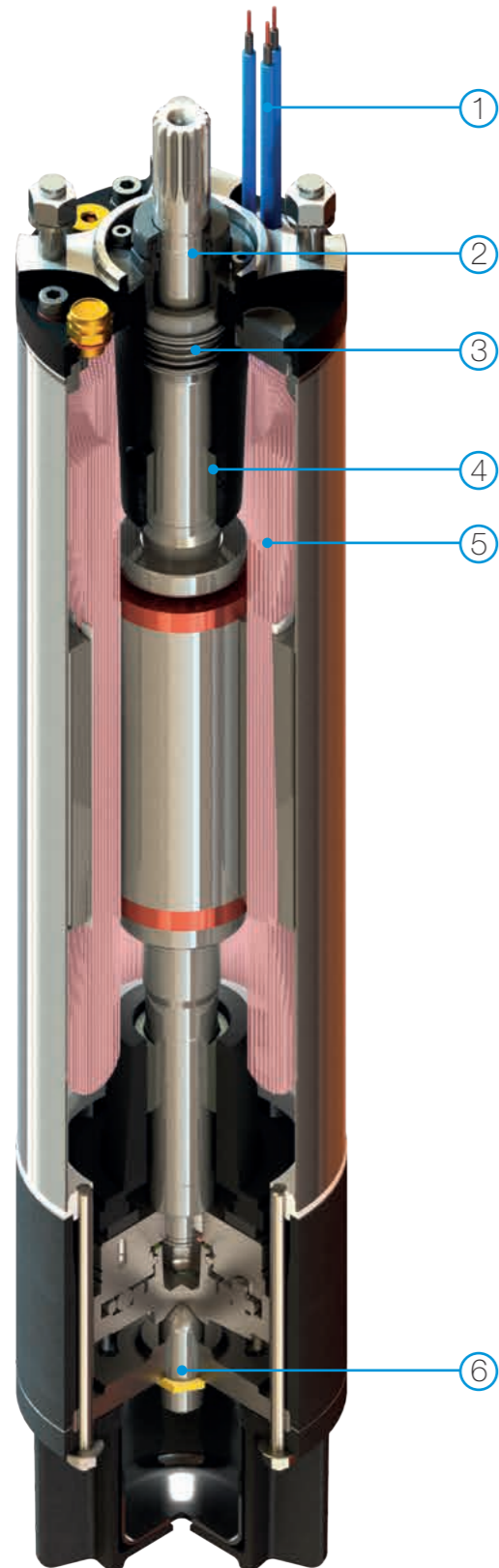
MPC 6"÷10"

caprari

EASYWELL
PUMPS & MOTORS

EASYWELL Submersible Motors

Caprari's new generation of rewindable water filled submersible motors are designed to be reliable, flexible and cost-effective. EASYWELL motors are designed according to market leading standards and are manufactured in an ISO 9001 Caprari certified plant. EASYWELL series are 100% tested.



HIGH CORROSION PROOF

**FULL INOX AISI 316:
MPCW**

Resistant to chemical corrosion and stray currents



HOT WATER: /K

Windings with double insulating layer for use in applications with hot water up to 50°C
(Please contact our sales organisation)



POWER CABLES
1 flat multipolar cable for MPC6 and 3 unipolar round cables for MPC8 and MPC10.



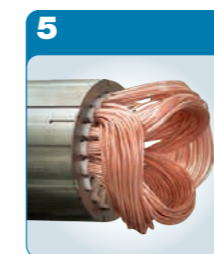
STAINLESS STEEL SHAFT
High mechanical and chemical aggression resistance: guarantee of strength and reliability.



SIC/SIC MECHANICAL SEAL
Excellent wear resistance even in the presence of liquids with abrasive contents. High resistance to thermal shocks and chemically aggressive agents. High thermal conductivity that allows dissipation of the heat produced during operation. Easily available on the market.



LINE BEARINGS
Made of graphite-based self-lubricating composite material; high robustness and precision of alignment both in working conditions and during transport/handling.



ELECTRIC PERFORMANCE
The copper rotor and the large-sized stacks ensure excellent and premium efficiencies.

WINDINGS
Engineered for inverter and intermittent operation, high voltage spikes and overheating.



THRUST BEARING

- extreme reliability and strong resistance to the axial thrust up to 65.000N.
- wide safety-margin against axial thrust generated by wet-ends.

caprari

pumping power

CAPRARI IN THE WORLD

-  CAPRARI SPA
-  BOMBAS CAPRARI S.A.
-  CAPRARI FRANCE SAS
-  CAPRARI PORTUGAL LDA
-  CAPRARI TUNISIE S.A.
-  CAPRARI PUMPS (UK) LTD
-  CAPRARI PUMPEN GMBH
-  CAPRARI HELLAS S.A.
-  CAPRARI PUMPS SHANGHAI CO. LTD.
-  CAPRARI PUMPS AUSTRALIA PTY LTD



ISO 9001
ISO 14001
ISO 45001
BUREAU VERITAS
Certification



www.caprari.com

Pump Control Technology

Boosting and Distribution of surface water

Wastewater Transport and Treatment

Water Collection and Distribution