

TOYO SUBMERSIBLE AGITATOR SAND PUMP

DP(SMALL)

FEATURE

- Small type of Toyo Submersible Agitator Sand Pump with Cutter Fan (agitator) and high durability.
- Slow speed motor (6P) is also available in some models.



DISCHARGE BORE	80~100mm
OUTPUT	2.2~11kw
SOLID SIZE	14~35mm

SPECIFICATION

MODEL	BORE (mm)	STANDARD		SOLID SIZE (mm)	OUTPUT (kW)	VOLTAGE (V)	POLE (P)	WEIGHT (kg)	CABTYRE CABLE 10m (symbol x mm ² x core)
		HEAD (m)	CAPACITY (m ³ /min)						
DP-3	80	7	0.5	20	2.2	200	4	155	3PNCT×5.5 [#] ×4C
DP-5	80	12	0.5	20	3.7	200	4	165	3PNCT×5.5 [#] ×4C
DP-7.5	80	15	0.5	25	5.5	200	4	200	3PNCT×5.5 [#] ×4C
DP-7.5B	100	12	1.0	25	5.5	200	4	210	3PNCT×5.5 [#] ×4C
DP-10	100	15	1.0	25	7.5	200	4	225	3PNCT×8 [#] ×4C
DP-10H *	100	20	0.8	14	7.5	200	4	240	3PNCT×8 [#] ×4C
DP-10H *	100	20	0.8	14	7.5	200	4	225	3PNCT×8 [#] ×4C
DP-10/15 *	100	22	1.0	25	11	200	4	235	3PNCT×14 [#] ×4C
DP6-3 *	80	7	0.5	25	2.2	200	6	150	3PNCT×5.5 [#] ×4C
DP6-7.5-1 *	80	12	0.8	35	5.5	200	6	225	3PNCT×5.5 [#] ×4C

- Specifications are changeable without notice. Please ask for Specification Sheet for the details.
- DP6-3/DP6-7.5-1 is in Class-B insulation.
- * only 50Hz available.
- * only 60Hz available.

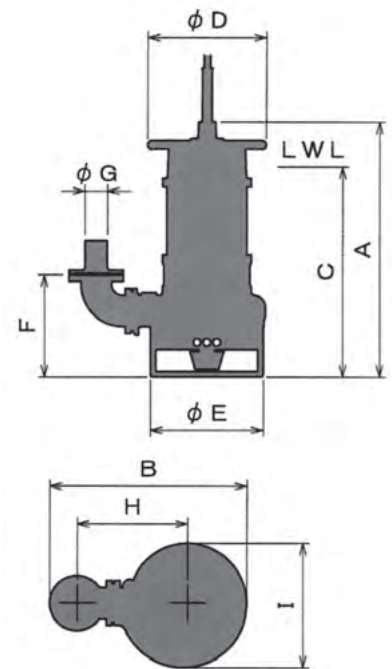
SIZE

Unit : mm

MODEL	A (HEIGHT)	B (WIDTH)	C (LWL)	D	E	F	G	H	I
DP-3	785	635.5	680	360	320	320	80	363	370
DP-5	840	635.5	700	360	320	320	80	363	370
DP-7.5	850	665.5	700	400	380	340	80	373	415
DP-7.5B	850	727	700	400	380	385	100	413	425
DP-10	890	727	740	400	380	385	100	413	425
DP-10H	*	890	788	400	440	385	100	443	485
DP-10H	*	890	727	400	380	385	100	413	425
DP-10/15	*	964	727	800	400	380	385	100	413

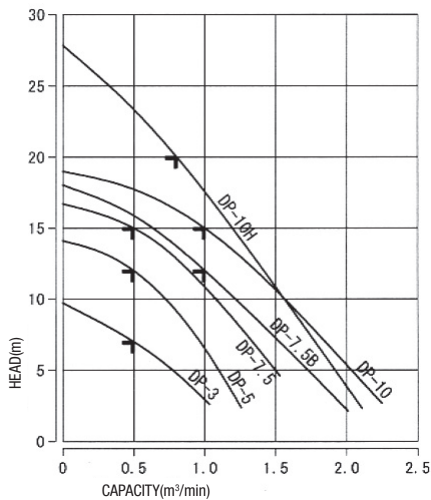
DP6-3	*	696	620	560	260	321	322.5	80	135	328
DP6-7.5-1	*	782	711	620	305	383	353	80	160	373

- Specifications are changeable without notice. Please ask for Specification Sheet for the details.
- * only 50Hz available.
- * only 60Hz available.



PERFORMANCE CURVES

50Hz 4P...1500r/m
6P...1000r/m



60Hz 4P...1800r/m
6P...1200r/m

