

## mini-Compacta U1.60 – Floodable Sewage Lifting Unit



### Applications

Disposal of sewage from toilet facilities below the flood level, e.g.:

- Basement flats, accessory apartments
- Building extensions, weekend houses
- Single and two-family houses
- Basement party rooms and saunas
- Bathroom and sauna facilities in private buildings

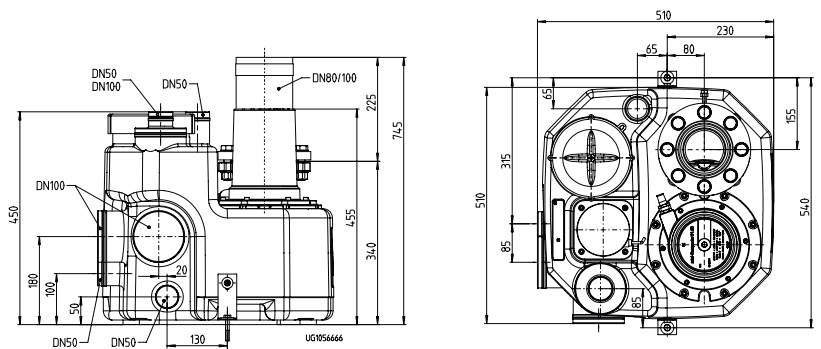
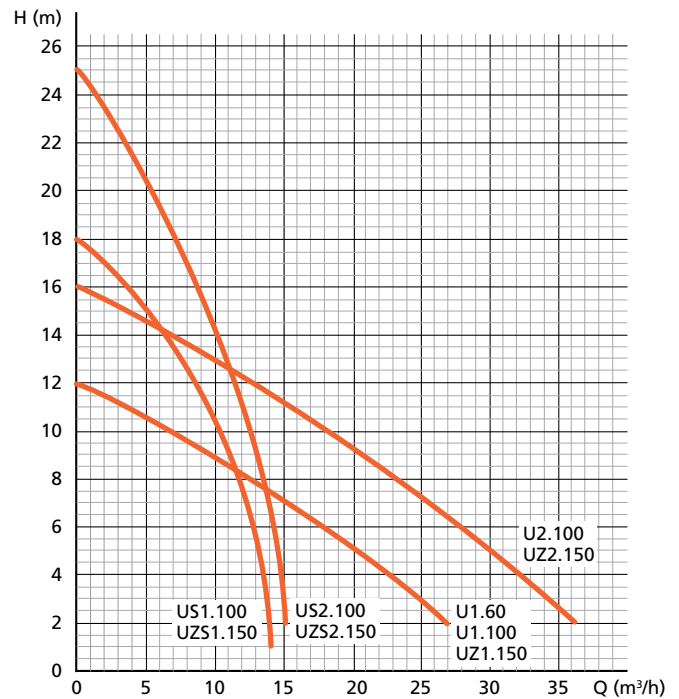
**More information:**  
[www.ksb.com/products](http://www.ksb.com/products)

Your contact:


# mini-Compacta U1.60 – Floodable Sewage Lifting Unit

- Automatic response to changed operating conditions**  
 Filling level permanently monitored by well-proven float sensor.
  
- Maximum system safety**  
 thanks to level-dependent control unit LevelControl Basic.
  
- Straightforward, time-saving installation**  
 Range of vertical and horizontal connection options.
  
- Reliable operation**  
 thanks to integrated swing check valve and mains-independent alert.
  
- Reduced investment costs**  
 due to small footprint. The smallest, fully-functional lifting unit to E12050-1 by KSB.
  
- Reliable function**  
 Steep characteristic curves ensure reliable planning and operation.

Performance characteristics  
mini-Compacta U60, U100, UZ150



Also available: C variant for aggressive fluids.

## mini-Compacta\* – Standard model with integrated check valve

Duplex-pump unit	Single-pump unit	Total volume
	U1.60 D/U1.60 E	60 l
	U1.100 D/U1.100 E US1.100 D/US1.100 E	100 l
	U2.100 D/U2.100 E US2.100 D/US2.100 E	100 l
UZ1.150 D/UZ1.150 E UZS1.150 D/UZS1.150 E		150 l
UZ2.150 D/UZ2.150 E UZS2.150 D/UZS2.150 E		150 l

\*Duplex-pump unit UZ with Y-pipe, S = with cutter, E = 230 V, D = 400 V.

### Technical data

Capacity	Up to 36 m³/h, 10 l/s
Discharge head	Up to 25 m
Temperature	Up to +40 °C or max. 5 minutes up to +65 °C
Power supply	230 V/400 V
Speed	Up to 3.000 min <sup>-1</sup>

Factory-automated with LevelControl



KSB Aktiengesellschaft  
Johann-Klein-Straße 9  
67227 Frankenthal (Germany)  
www.ksb.com