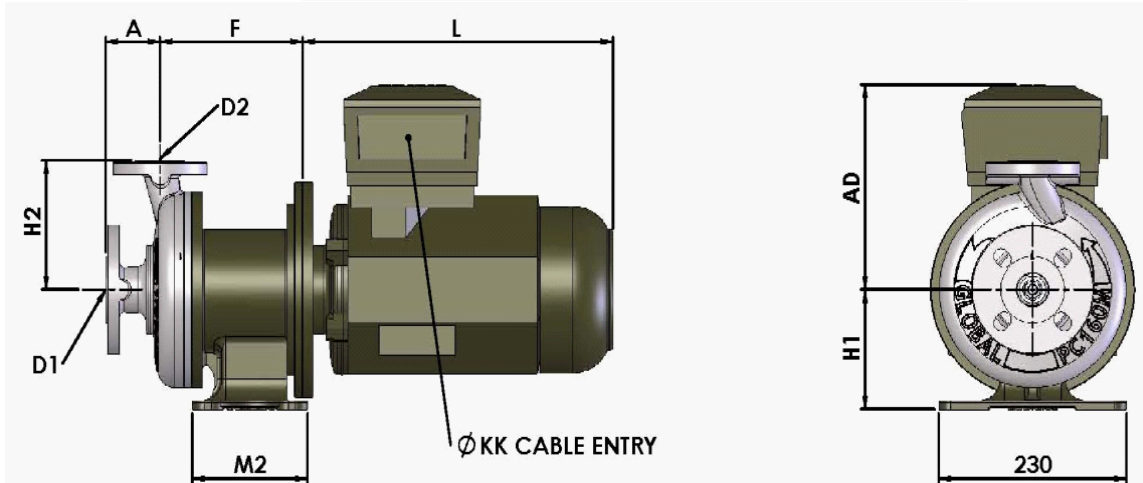
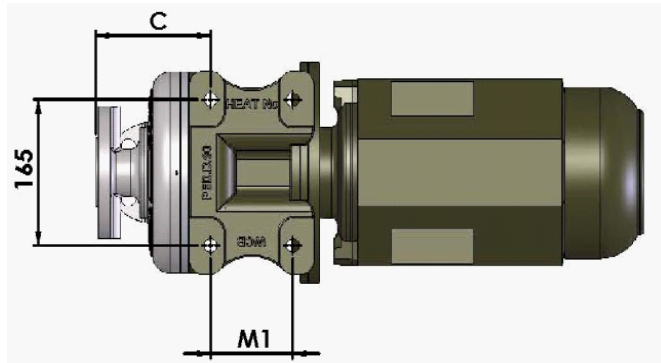
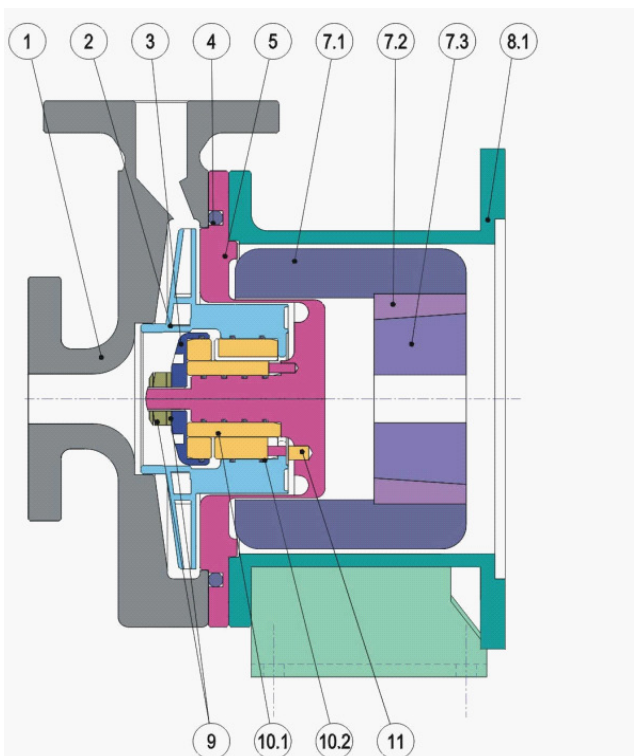


Technical Data Sheet -PC160M

General Assembly Drawing



Pump Model	D1	D2	A	C	H1	H2	M1	M2	F
NEW 160M	Ø40	Ø25	66.5	130	139	150	93	141	165/175



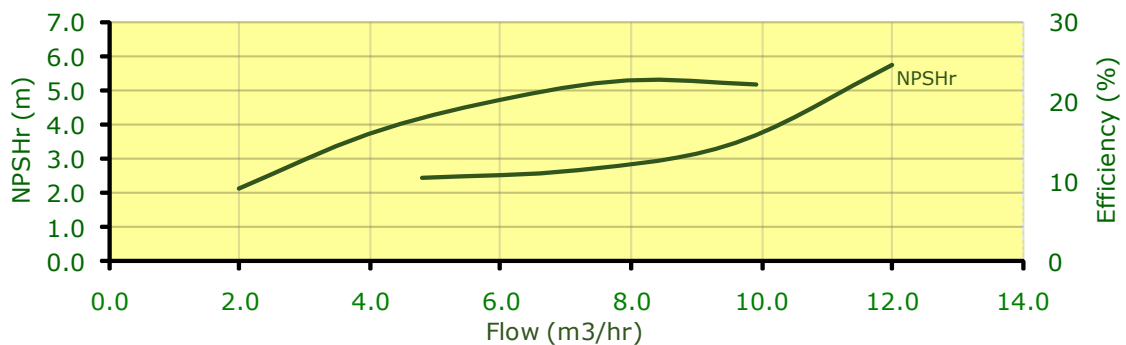
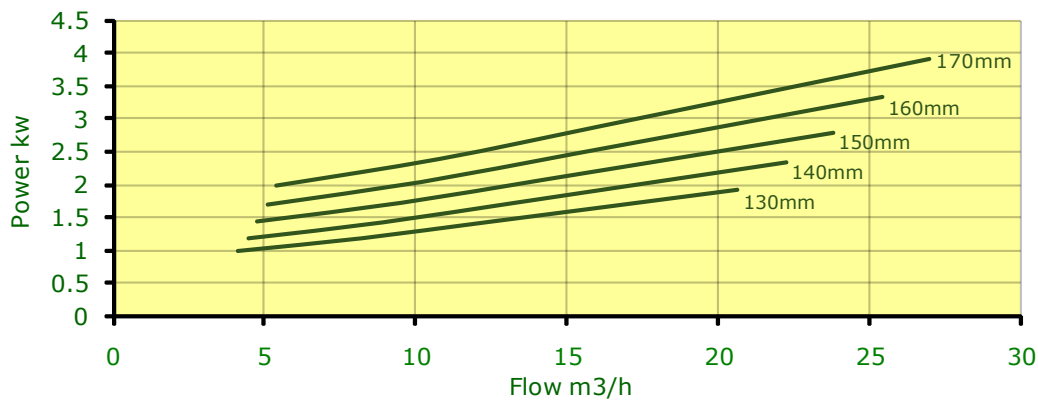
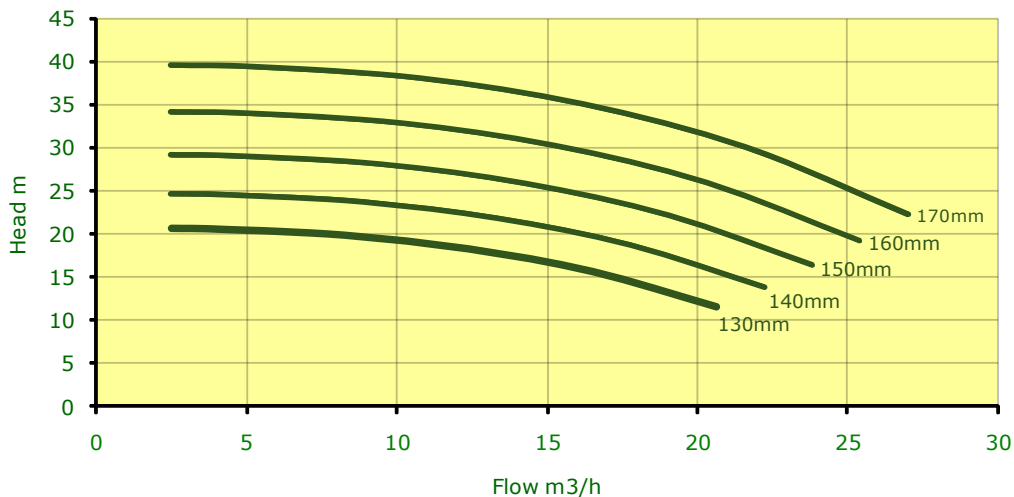
Item No	Description	QTY
1	Casing	One
2	Pump Shaft/ Impeller Assembly	One
3	Bearing Holder	One
4	Casing Joint/O-Ring	1-Off *S1 1-Off *S2
5	Back Plate Assembly	One
6	Pump Shaft	One
7.1	Outer Rotor Assembly	One
7.2	Outer Rotor Taper Lock Adaptor	One
7.3	Outer Rotor Taper Lock Bush	One
8.1	Pedestal	One
8.2	Pedestal Adaptor Flange	One
9.1	Impeller Locknut	(*S2) One
10.1	Front Bearing Assembly	(*S2) One
10.2	O-Ring Kit	(*S2) One
11	Rear Bearing Pin	(*S2) Three
-----	Cartridge Assembly	(*S3) One
Recommended Spares		
*S1	Commissioning Spares	
*S2	2 Years Operational Spares	
*S3	Holding Spares	

VERDERMAG
GLOBAL

Technical Data Sheet -PC160M

Performance Curves

PC160M NEW



Features and advantages

- Hydraulic pump end with standard casing and fabricated casing bowls with centreline discharge
- Single bearing design for increased reliability and o-ring mounting allow easy inter-changeability
- Glandless, totally leak free unit
- Universal PN16 / ANSI 150.lb. flange hybrid as standard
- Other flanges available upon request
- Close coupled motor fitment, no need for re-alignment on commissioning and after servicing



VERDERMAG
GLOBAL