

Verderflex

VP1-Timer peristaltic dosing pump



VERDERFLEX®

Description

Digital timer peristaltic tube pump. suitable for flocculant, enzymes and andalgaecides. Easy to install and maintain. Segmented digital display. 10 starts/stops for a daily program

Materials

Protection class	IP 55
Pump material	PP
Tube	Santoprene
Roller	Delrin
Max pressure	1 bar (Santoprene) 3 bar (Silicon)
Power supply	230 V, 50 - 60 Hz
Nuts	PP 1/8"
Fittings	PP 4 x 6 mm

Standard supplied with a SCHUKO plug

Technical data

	Max l/h	Pressure bar	Max cc	Max operating temperature °C	Ø int x ext mm	Pump body material	Power c Watt	rpm	Weight kg
0.6-01	0.6	1	10	65	4 x 7	PP	35	8	1.0
1.2-01	1.2	1	20	65	4 x 7	PP	35	10	1.0
1.8-01	1.8	1	30	65	4 x 7	PP	35	15	1.0
2.4-01	2.4	1	40	65	4 x 7	PP	35	20	1,0

Standard accessories kit

1/2" PP-VL-VT Talco Lip	Foot Filter PP-VL-VT	Suction tube 2 m PVC 4x6	Delivery tube 2 m PE 4x6

Verderflex

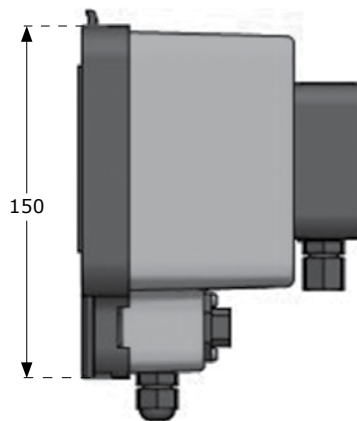
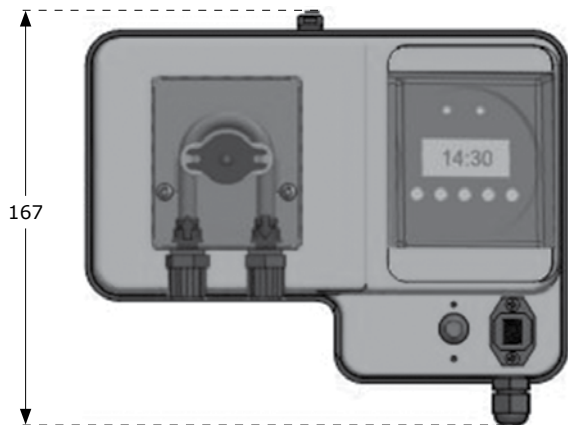
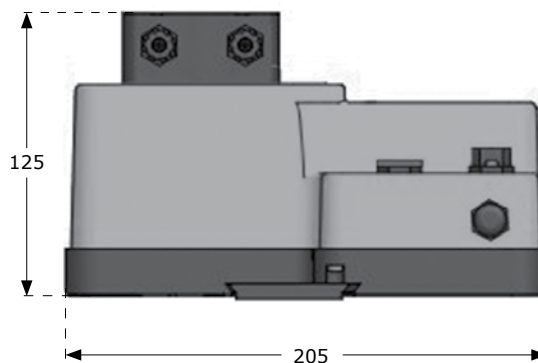
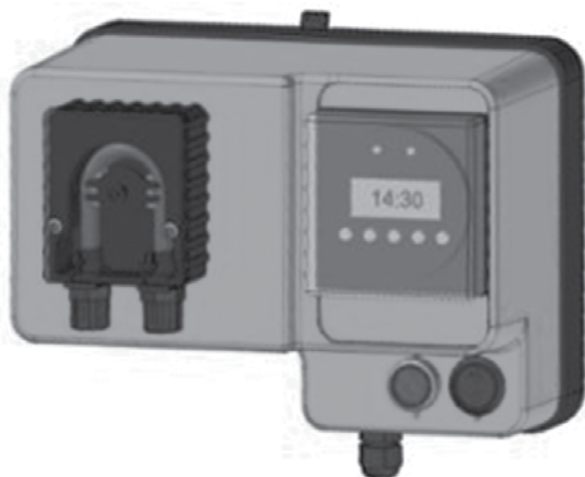
VP1-Timer peristaltic dosing pump

VERDERFLEX®



Dimensions

(in mm)



Find your local supplier
at www.verderdos.com

For construction, installation and mounting drawings
please contact your local authorised Verderdos distributor.

VERDER
passion for pumps