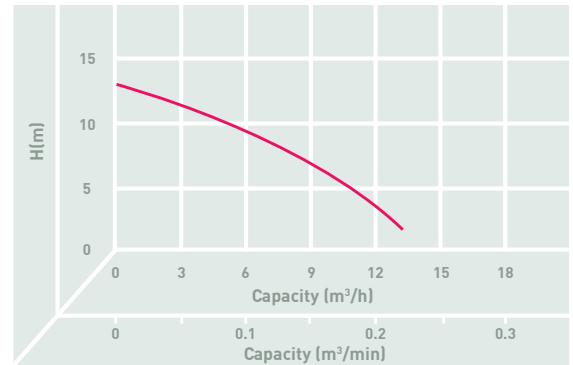


## SUBMERISBLE SLURRY PUMP

The Trencher Slurry Mate is suitable for pumping highly laden mud water. The impeller and agitator is made of high chrome alloy to ensure durability. The semi vortex impeller reduces clogging caused by sand making this pump ideal for construction and building sites

### FEATURES

- Water temperature: up to 40°C
- PH: 6.5 to 8.5
- Power supply: Single phase 230V, 50Hz
- Insulation class: F
- Protection class: IP 68
- Maximum immersion depth: 10 m



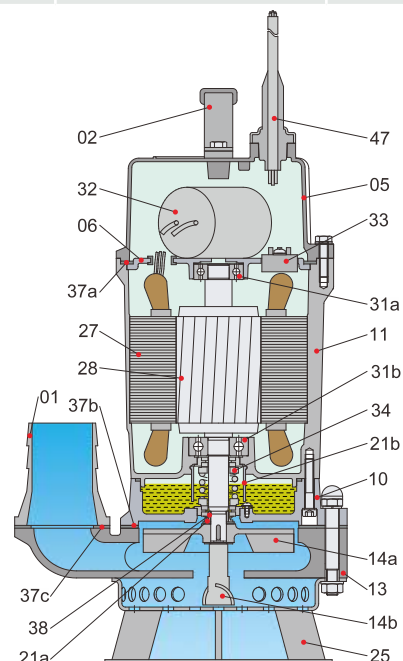
## TECHNICAL SPECIFICATION

PRODUCT CODE	CURVE	VOLTAGE	OUTPUT		DISCHARGE		MAXIMUM		FREE PASSAGE mm	CABLE m	WEIGHT kg
			Amp	kW	mm	inch	HEAD m	CAPACITY m³/h			
PO/T500 SM/1	/A	230	4.0	0.55	50	2	13	13.2	9	8	16.5
PO/T500 SM/3	/A	400	1.7	0.55	50	2	13	13.2	9	8	16.5

## PARTS AND MATERIAL LIST

ITEM NO.	PART	MATERIAL
01	Hose coupling	Cast iron
02	Handle	Rubber & AISI304SS
05	Upper cover	Aluminum die casting
06	Up-Bearing house	Cast iron
10	Seal hose	Cast iron
11	Motor body	Aluminum die casting
13	Pump body	Cast iron
14a	Impeller	High chrome alloy
14b	Agitator	High chrome alloy
21a	Oil riser	LDPE
21b	Sand gaurd	NBR
25	Strainer	Steel
27	Stator	
28	Rotor	Shaft:AIS420SS
31a	Bearing	Ball bearing
31b	Bearing	Ball bearing
32	Capacitor	
33	Motor Protector	
34	Mechanical Seal	Sic-Sic/Carbon-Ceramic

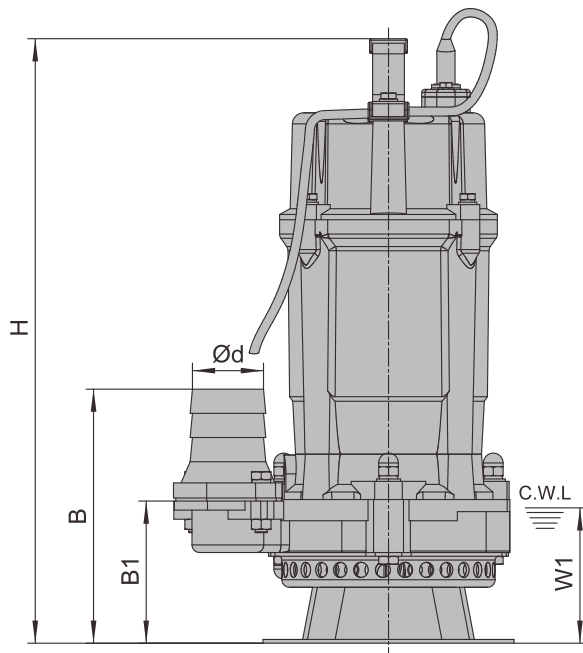
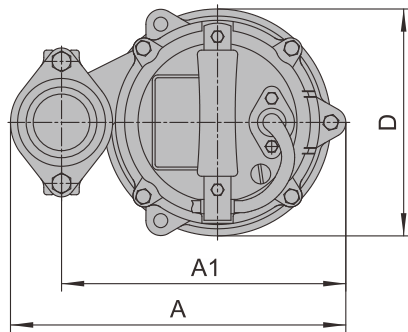
ITEM NO.	PART	MATERIAL
37a	Gasket	NBR
37b	Gasket	NBR
47	Cable	H07RN-F



### SUBMERISBLE SLURRY PUMP

#### DIMENSIONAL DRAWING

d mm	A mm	A1 mm	B mm	B1 mm	D mm	H mm	W1 mm	N.W kg	G.W kg	PACKING DIMENSIONS
50	237	201	168	95	160	405	95	15.5	16.5	455x255x230



W1: Continuous running water level