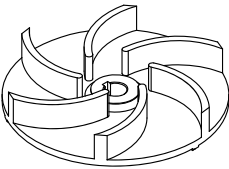


HYDROPOMPE	VORTEX IMPELLER	DN 80
FV SERIES		50 Hz
814/16 - 824/22 834/31 - 854/55		4 POLE

USE

Submersible electric pumps particularly suitable for pumping industrial sewage, screened waste water and mud in the pumping stations. They can be used also to lift clear and dirty water and rain water.

MATERIALS

- Motor housing**
Cast iron EN GJL 250 (UNI EN 1561)
- Pump housing**
Cast iron EN GJL 250 (UNI EN 1561)
- Bearing housing**
Cast iron EN GJL 250 (UNI EN 1561)
- Impeller**
Cast iron EN GJL 250 (UNI EN 1561)
- Mechanical seal motor side**
Graphite/Ceramic
- Mechanical seal impeller side**
Silicon Carbide/Silicon Carbide (SiC/SiC)
- Base frame**
Stainless steel AISI 304
- Motor shaft**
Stainless steel AISI 420
- Bolts and nuts**
Stainless steel Grade A2
- Cable**
10 meters type H07RN-F
814/16; 824/22; 834/31 with 7G1,5mm² cable
854/55 with 7G2,5mm² cable

LIMITS TO USE

- Max temperature of the liquid pumped**
+40°C
- pH of the liquid pumped**
6÷10
- Max immersion depth**
20 m
- Liquid density**
1,0 kg/dm³
- Min immersion depth for continuous service**
500 mm
- Free passage**
80 mm
- Max number starts/hour**
20
- Acoustic pressure level issued**
<70dB(A)

MOTOR

The electric motor is asynchronous with squirrel cage rotor in dry chamber
Class of insulation F
Protection degree IP68
4pole; 50Hz
Main voltage values and relative tolerance in relation to the rated voltage value:
THREE-PHASE
400V ±10%
Other voltages on request.

OTHER FEATURES ON REQUEST

Frequency 60 Hz (*see specific catalogue*)
Other voltages

SECURITY

Thermal probes in the winding
Conductivity probe in the oil chamber

CARATTERISTICHE TECNICHE

MODEL	P1 kW	P2		VOLTAGE V	CURRENT A	CABLE m	WEIGHT kg
		kW	CV				
814/16	2,3	1,6	2,2	400 (3~)	4,1	10	83
824/22	2,8	2,2	3,0	400 (3~)	5,4	10	85
834/31	3,9	3,1	4,2	400 (3~)	7,5	10	89
854/55	6,6	5,5	7,5	400 (3~)	11,7	10	100

FV SERIES

814/16 - 824/22
834/31 - 854/55



VORTEX IMPELLER

DN 80

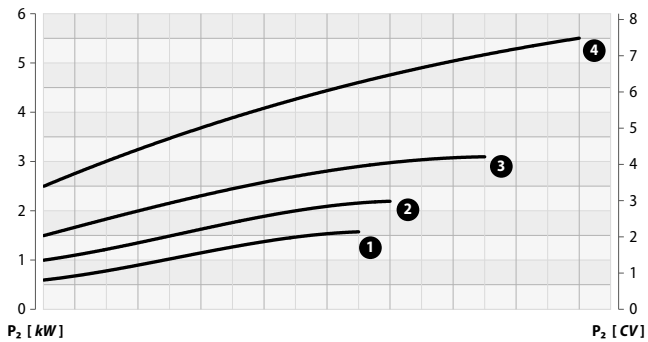
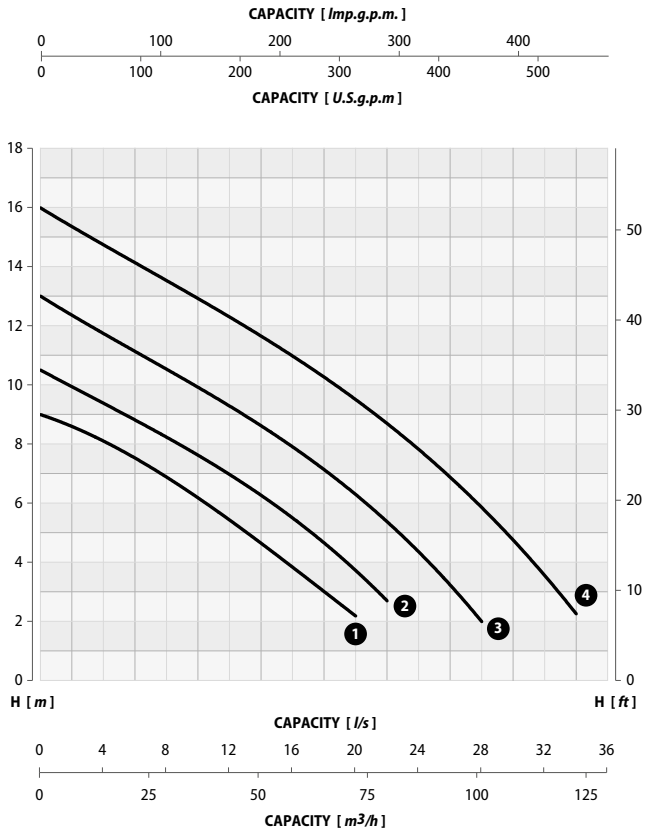
50 Hz

4 POLE

PERFORMANCE RANGE

		CAPACITY															
<i>l/s</i>	0	6	8	10	12	14	16	18	20	22	24	26	28	30	32	34	
<i>m³/h</i>	0	21,6	28,8	36,0	43,2	50,4	57,6	64,8	72,0	79,2	86,4	93,6	101,0	108,0	115,2	122,4	
<i>l/min</i>	0	360	480	600	720	840	960	1080	1200	1320	1440	1560	1680	1800	1920	2040	

MODEL	CURVE N°	HEAD <i>m</i>															
		9,0	7,5	6,9	6,2	5,4	4,7	3,8	3,0	2,2	-	-	-	-	-	-	-
814/16	1	9,0	7,5	6,9	6,2	5,4	4,7	3,8	3,0	2,2	-	-	-	-	-	-	-
824/22	2	10,5	8,8	8,3	7,6	6,9	6,3	5,5	4,7	3,7	2,7	-	-	-	-	-	-
834/31	3	13,0	11,1	10,6	9,9	9,3	8,6	7,9	7,1	6,3	5,4	4,4	3,2	2	-	-	-
854/55	4	16,0	14,1	13,6	12,8	12,3	11,7	11,0	10,3	9,5	8,7	7,8	6,9	5,8	4,8	3,5	2,3



Performance tolerance in according to UNI/ISO 9906 Grade 2

FV SERIES

**814/16 - 824/22
834/31 - 854/55**



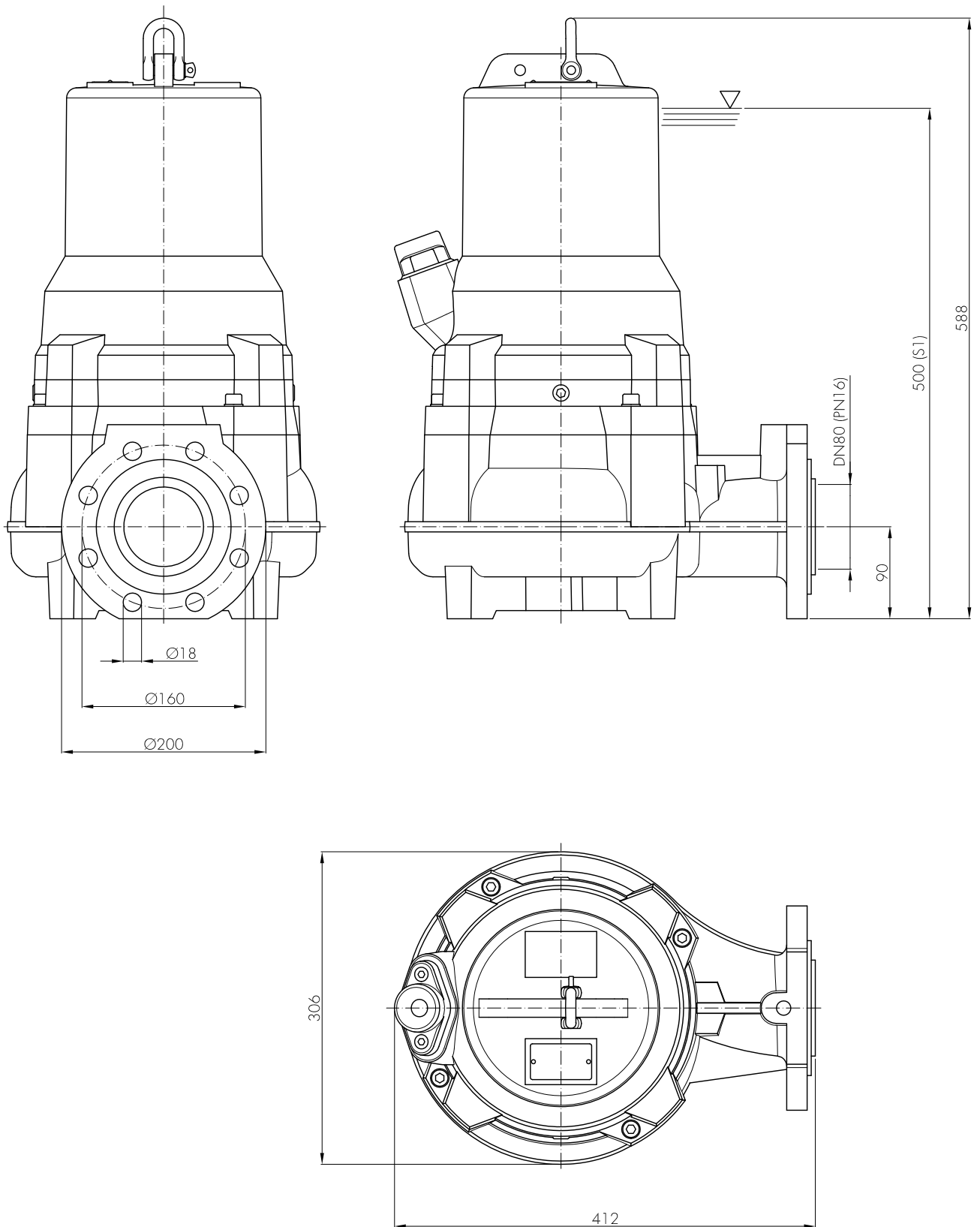
VORTEX IMPELLER

DN 80

50 Hz

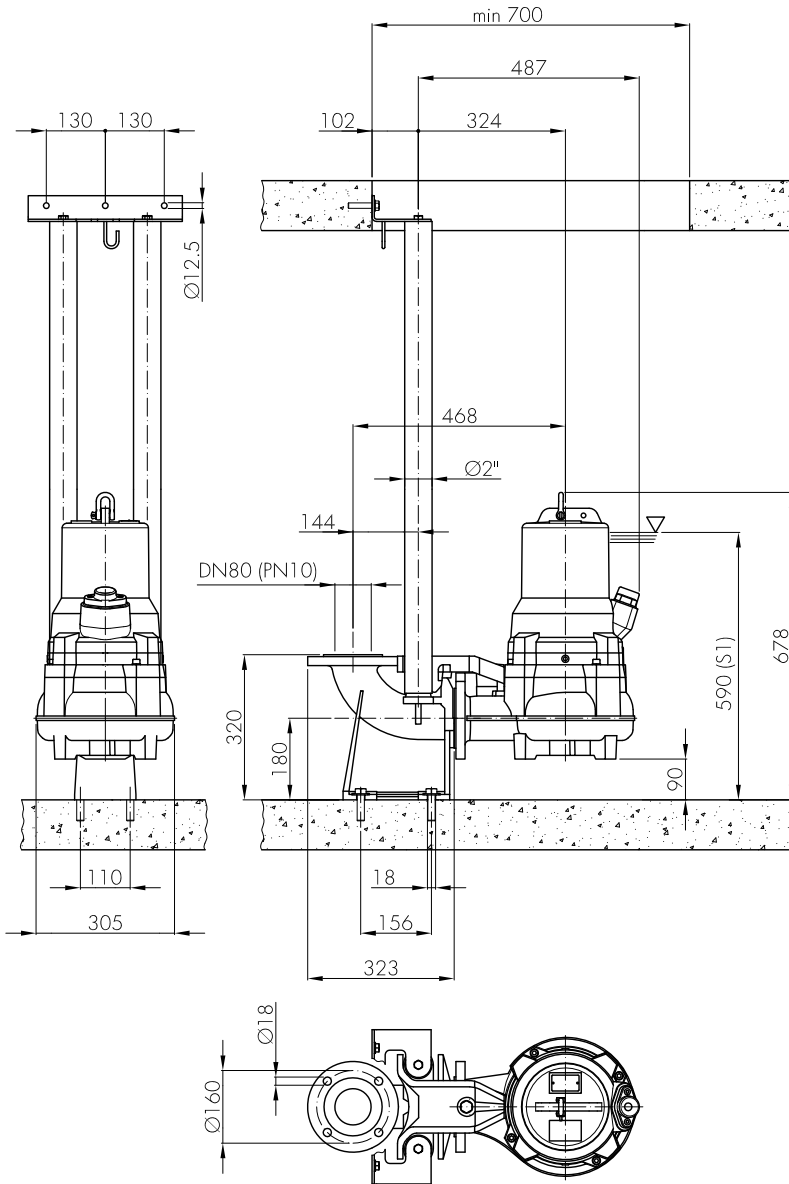
4 POLE

INSTALLATION DIMENSIONS

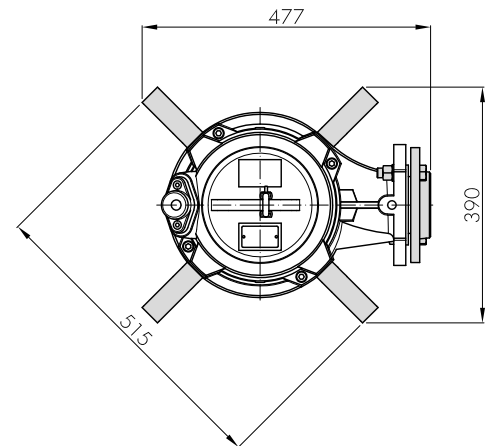
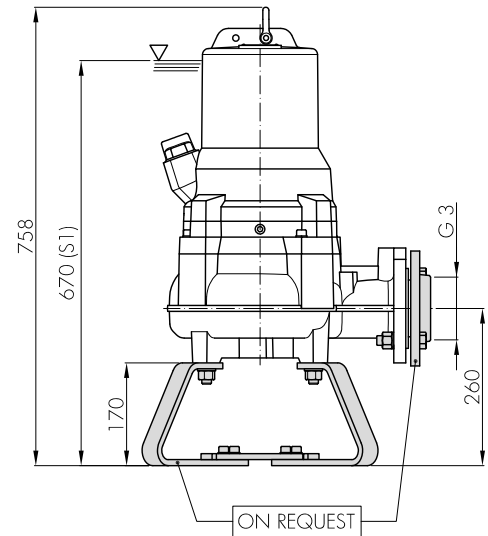


SERIE FV814/16 - 824/22
834/31 - 854/55**VORTEX IMPELLER****DN 80****50 Hz****4 POLE****PERMANENT INSTALLATION WITH COUPLING SYSTEM**

It is the recommended installation for the permanent pumping station. The electric pump is guided by two pipes and it is connected automatically to the coupling system. The quick connection ensures that the pump can be easily removed and re-installed.

**PORTABLE INSTALLATION**

Transportable as emergency pump with connection to the hose and for free installation in the well.

**NOTES**

i Changes reserved