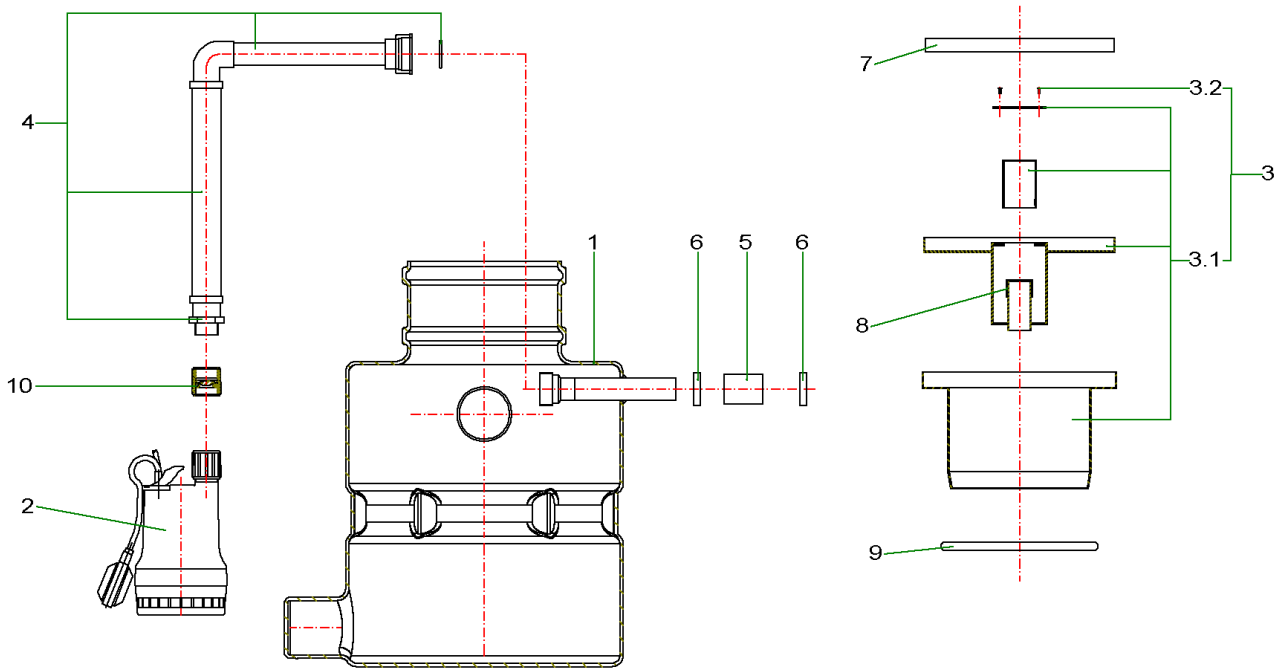




DrainLift BOX

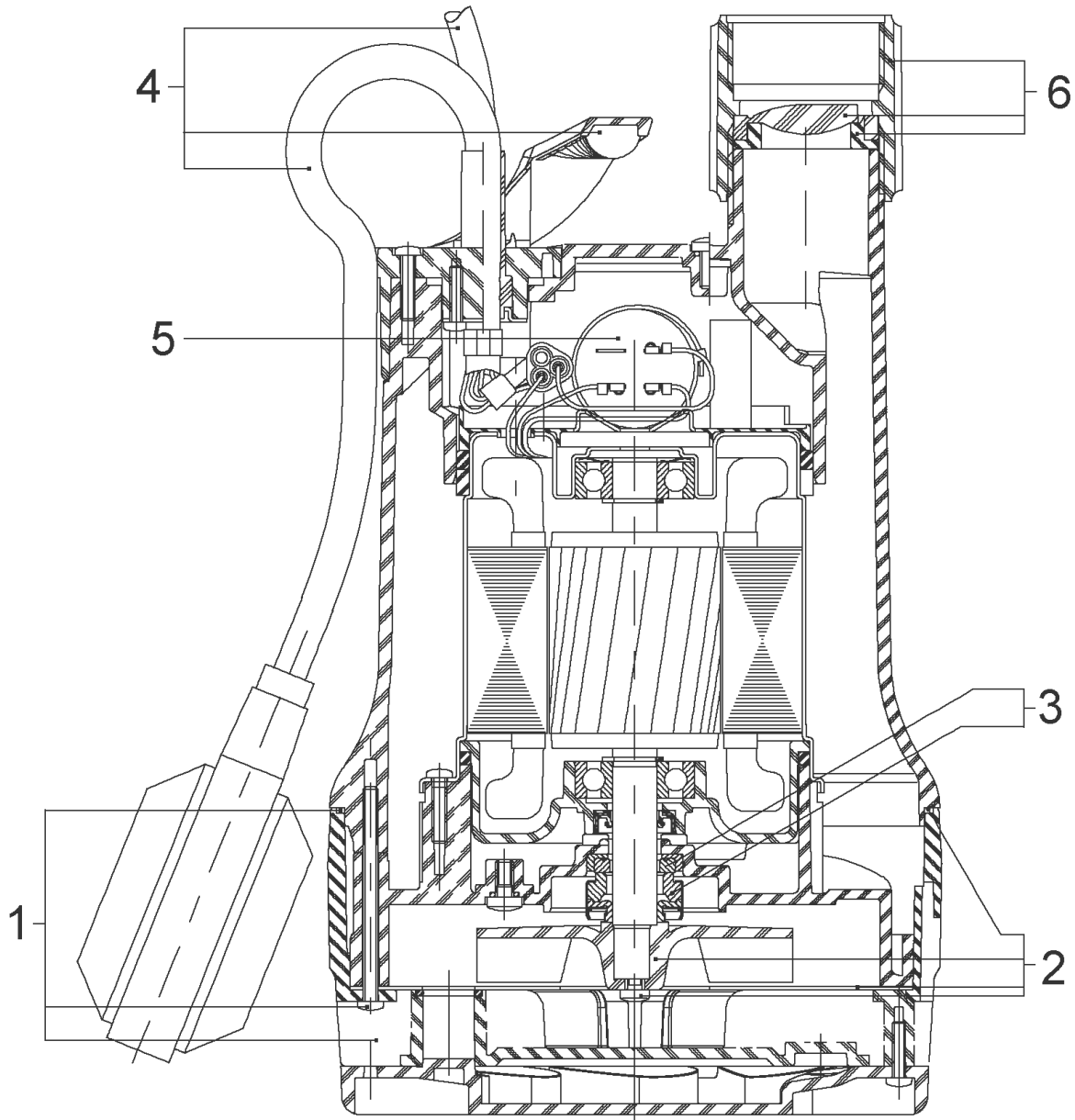
Article no.	Description
2521820	WILO DRAINLIFT Box 32/8
2546470	WILO DRAINLIFT Box 32/8 D
2546471	WILO DRAINLIFT Box 32/8 DS
2546510	WILO DRAINLIFT Box 32/8HD D
2546511	WILO DRAINLIFT Box 32/8HD DS
2521821	WILO DRAINLIFT Box 32/11
2546472	WILO DRAINLIFT Box 32/11 D
2546473	WILO DRAINLIFT Box 32/11 DS
2546508	WILO DRAINLIFT Box 32/11HD D
2546509	WILO DRAINLIFT Box 32/11HD DS
2521822	WILO DRAINLIFT Box 40/10
2546474	WILO DRAINLIFT BOX 40/10 D
2546475	WILO DRAINLIFT BOX 40/10 DS



WILO DRAINLIFT Box 32/8 (2521820)

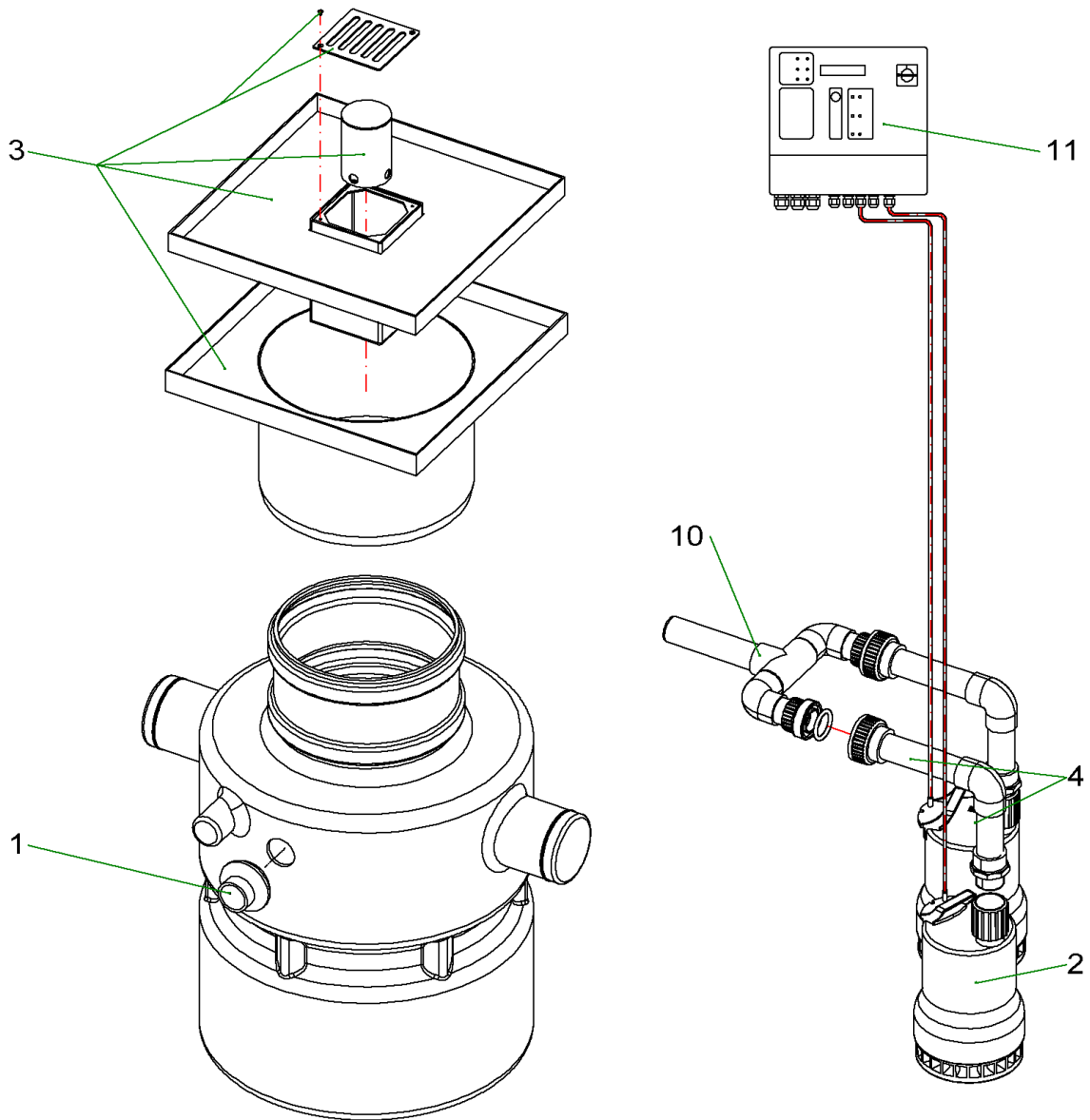
Item	Article no.	Description	Quantity
1	2064483	TANK DRAINLIFT BOX	1
2		TMW32/8-10m	1
3	2064477	FLOOR DRAIN DRAINLIFT BOX	1
3.1		> FLOOR DRAIN DRAINLIFT BOX CPL.	1
3.2		> SCREW M3x8 DIN965 A2/Z1	1
4	2064484	DISCHARGE PIPE DRAINLIFT BOX 32/8 KIT	1
		> DISCHARGE PIPE TMW32/8	1
5	2064485	HOSE DN40X6,5MM SBR BLACK L=70	1
6	500803099	HOSE CLAMP DIN3017-A-40-60X13-C7-W4	1
7	2064487	COVER 340x340x25	1
8	2064488	PROTECTIVE CAP D.48,3 PE	1
9	2064489	GASKET D.15MM	1
10	2049301	NON-RETURN VALVE DN32	1
	2064491	EXTENSION DISCHARGE PIPE G2"	1

Note: bis / up to / jusqu'à 3/17



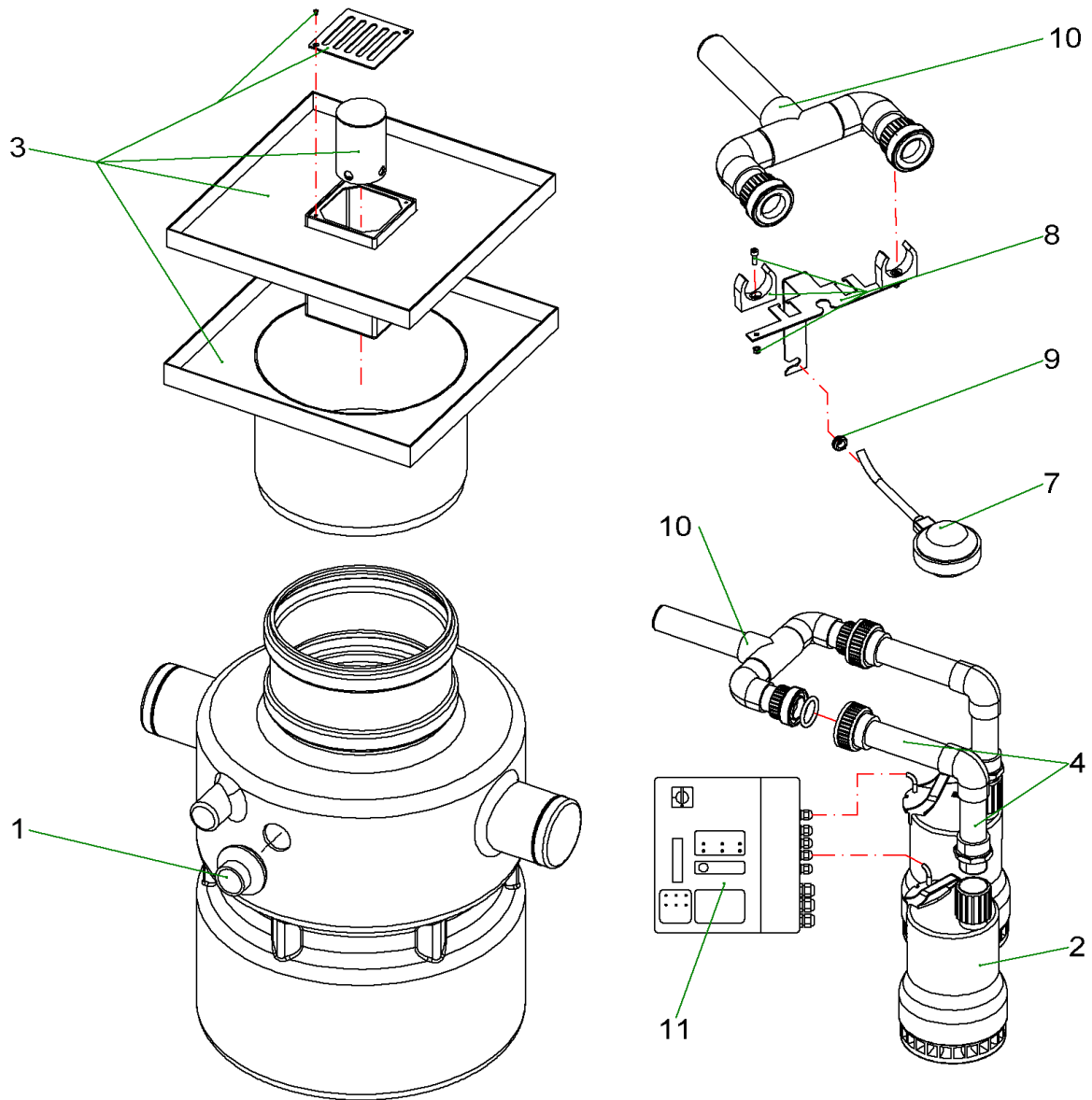
TMW32/8-10m

Item	Article no.	Description	Quantity
1	4053874	SUCTION STRAINER KIT	1
	2067964	O-RING 152,07X2,62 NBR 11514201467 VP.	1
	2067963	O-RING 14X2 NBR TMW32/8 11514201351	1
2	4180917	hydraulic 20 KIT (flat shaft) VP.	1
Note: Indice A-B / Index A-B			
2	4222967	hydraulic 20 KIT (splined shaft) VP.	1
Note: Indice C / Index C			
3	4054116	MECH.SEAL TM/TMW32/MINI SVO/SUBSON	1
4	4055994	CABLE 10m-FLOAT-HANDLE-KIT	1
5	4054119	CAPACITOR 10MF	1
6	4197584	NON RETURN VALVE VP.	1
	4054117	SELF-CLEANING SYSTEM	1
	19389	DISCHARGE-KIT-SUBSON 20-30	1



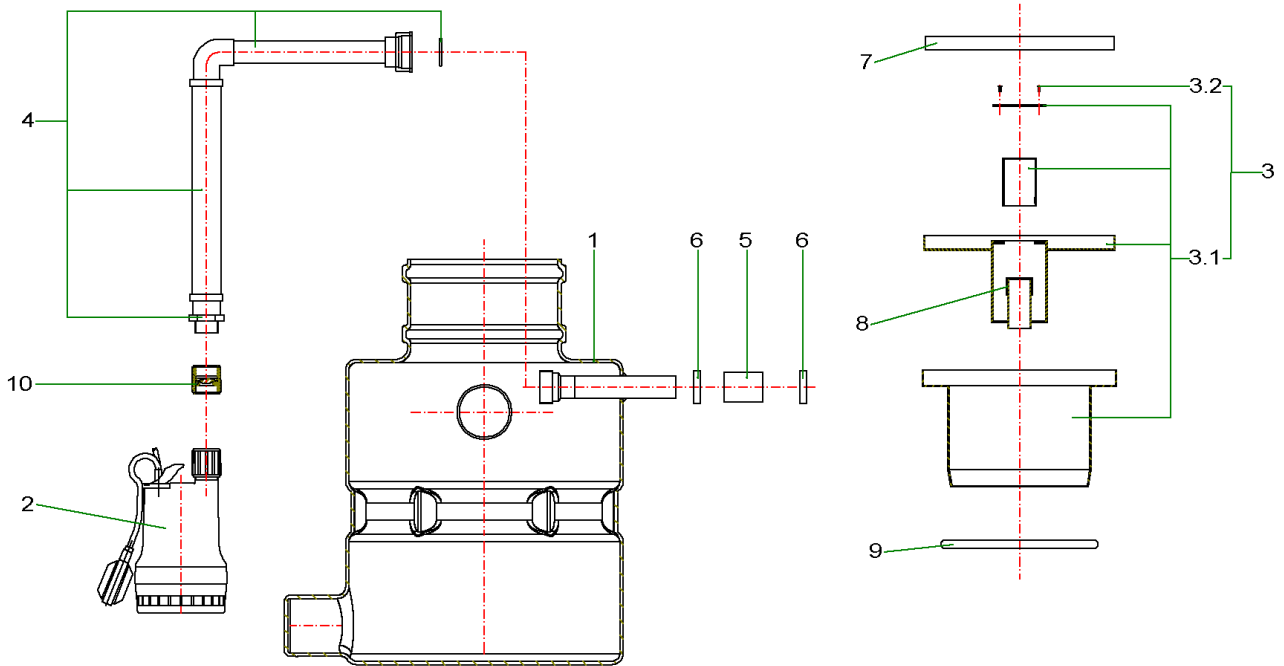
WILO DRAINLIFT Box 32/8 D (2546470)

Item	Article no.	Description	Quantity
1	2027880	GASKET 220-G04 R.-DA40;SBR-41-4060	1
2		TMW32/8-10m	2
3	2064477	FLOOR DRAIN DRAINLIFT BOX	1
4	6220246	discharge pipe BOX 2 TMW32/8 PVC VP.	2
10	6220245	discharge pipe DRAINLIFT BOX 2 PVC VP.	1
11	6220252	W-CTRL-MS-L-2x4kW-DOL-O VP.	1
	6220253	PACKING DRAINLIFT Box SET	1
		> HOSE DN40X6,5MM SBR BLACK	1
		> HOSE CLAMP DIN3017-A-40-60X13-C7-W4	2
		>	1
		> PROTECTIVE CAP 250 F.D.48,3 PE.	1
		>	1



WILO DRAINLIFT Box 32/8 DS (2546471)

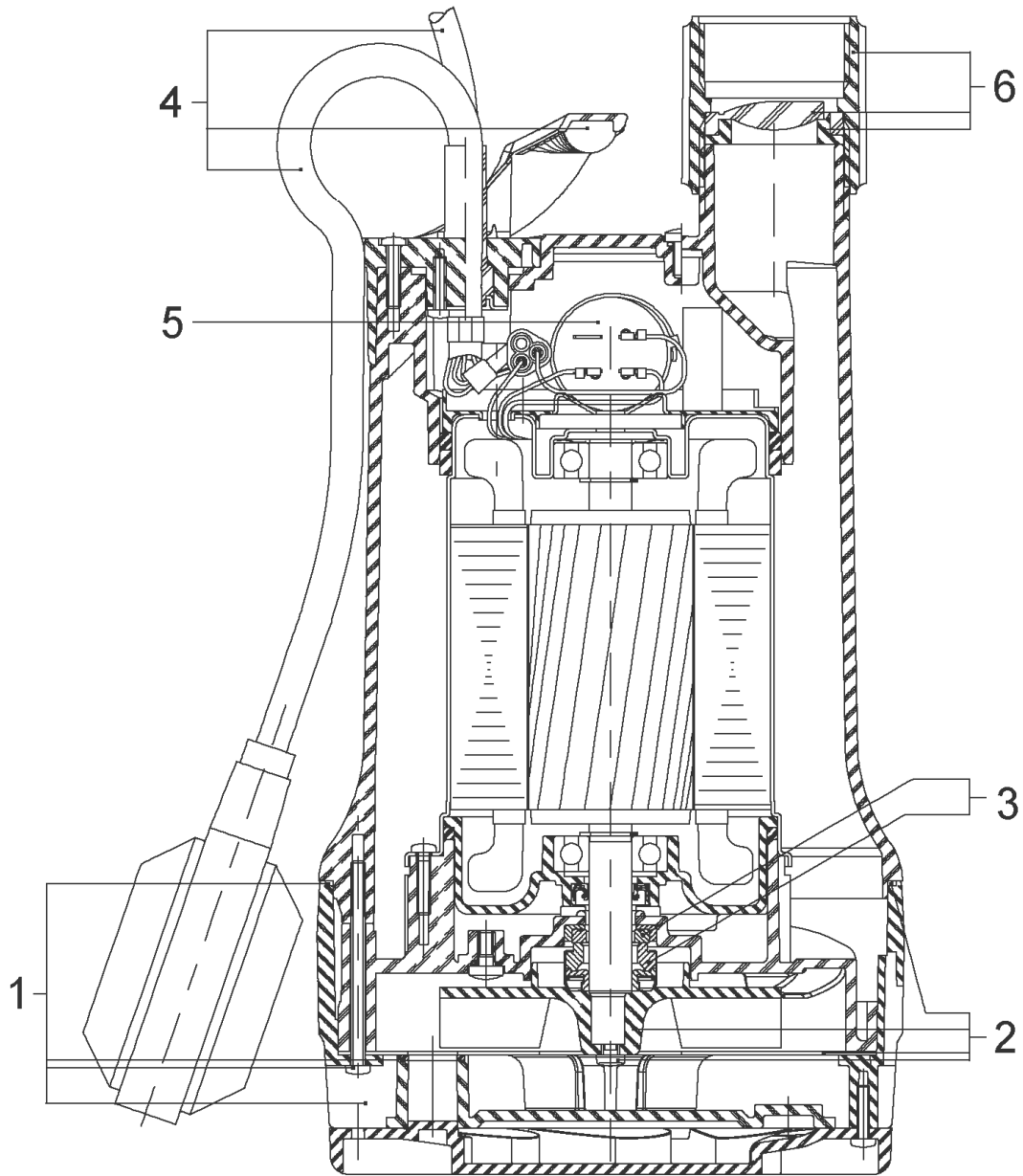
Item	Article no.	Description	Quantity
1	2027880	GASKET 220-G04 R.-DA40;SBR-41-4060	1
2		TMW32/8-10m	2
3	2064477	FLOOR DRAIN DRAINLIFT BOX	1
4	6220246	discharge pipe BOX 2 TMW32/8 PVC VP.	2
7	6220249	float switch 8A 230V 10M VP.	1
8	6220250	crossbar DL BOX-D KPL. SET	1
		> CROSSBAR DL BOX-D	1
		>	2
		> screw M5x20 ISO4762 A2	2
		> NUT M5 DIN934 A2	2
		> washer A5,3 DIN125 A4	2
		> CABLE-TIE 280x3,6	1
9	6220251	cable-penetration ID.10/12 GI VP.	1
10	6220245	discharge pipe DRAINLIFT BOX 2 PVC VP.	1
11	6220252	W-CTRL-MS-L-2x4kW-DOL-O VP.	1
	6220253	PACKING DRAINLIFT Box SET	1
		> HOSE DN40X6,5MM SBR BLACK	1
		> HOSE CLAMP DIN3017-A-40-60X13-C7-W4	2
		>	1
		> PROTECTIVE CAP 250 F.D.48,3 PE.	1
		>	1



WILO DRAINLIFT Box 32/11 (2521821)

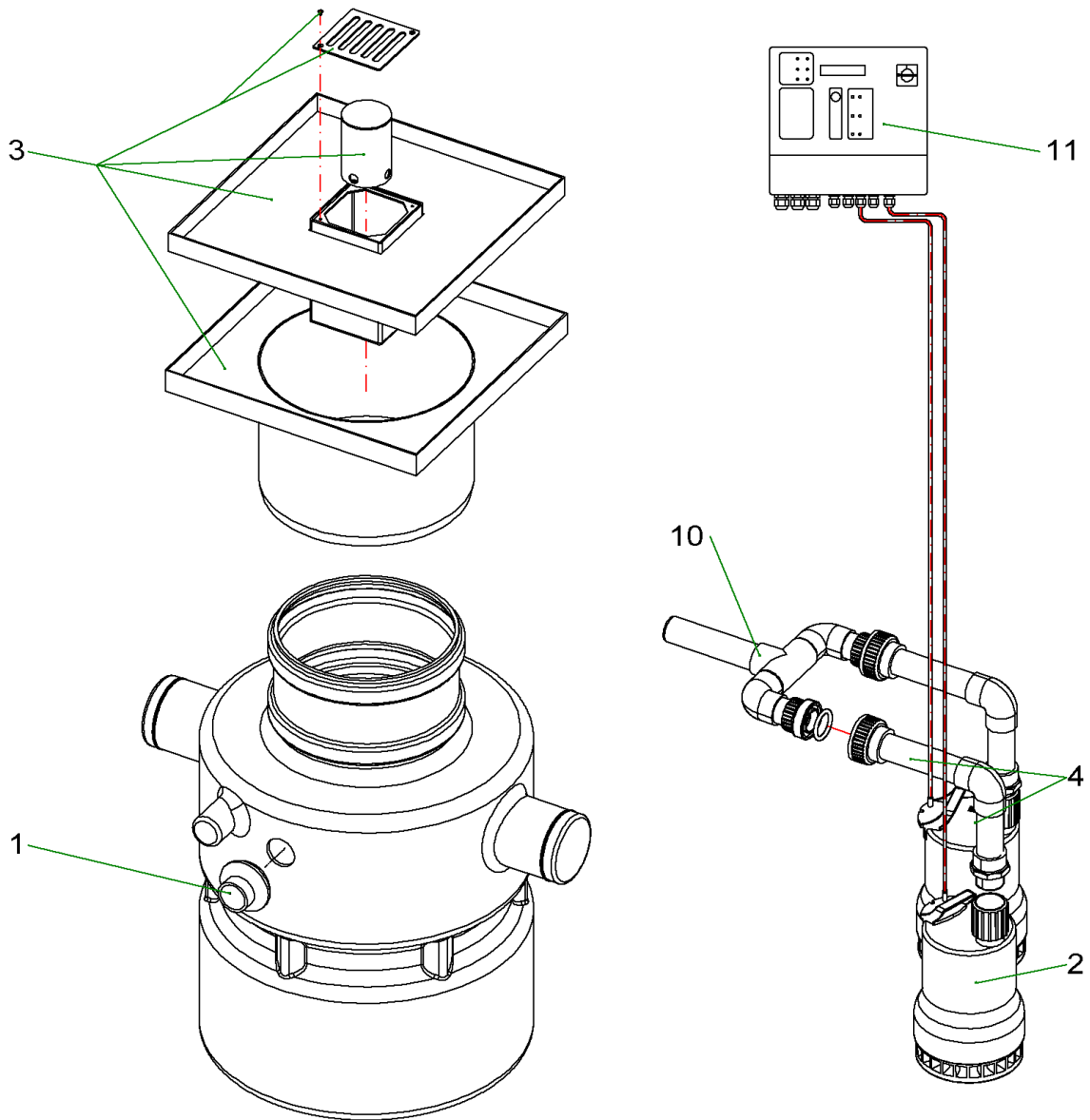
Item	Article no.	Description	Quantity
1	2064483	TANK DRAINLIFT BOX	1
2		TMW32/11-10m	1
3	2064477	FLOOR DRAIN DRAINLIFT BOX	1
3.1		> FLOOR DRAIN DRAINLIFT BOX CPL.	1
3.2		> SCREW M3x8 DIN965 A2/Z1	1
4	2064486	DISCHARGE PIPE DRAINLIFT BOX32/11 KIT	1
		> DISCHARGE PIPE TMW32/11	1
5	2064485	HOSE DN40X6,5MM SBR BLACK L=70	1
6	500803099	HOSE CLAMP DIN3017-A-40-60X13-C7-W4	1
7	2064487	COVER 340x340x25	1
8	2064488	PROTECTIVE CAP D.48,3 PE	1
9	2064489	GASKET D.15MM	1
10	2049301	NON-RETURN VALVE DN32	1
	2064491	EXTENSION DISCHARGE PIPE G2"	1

Note: bis / up to / jusqu'à 3/17



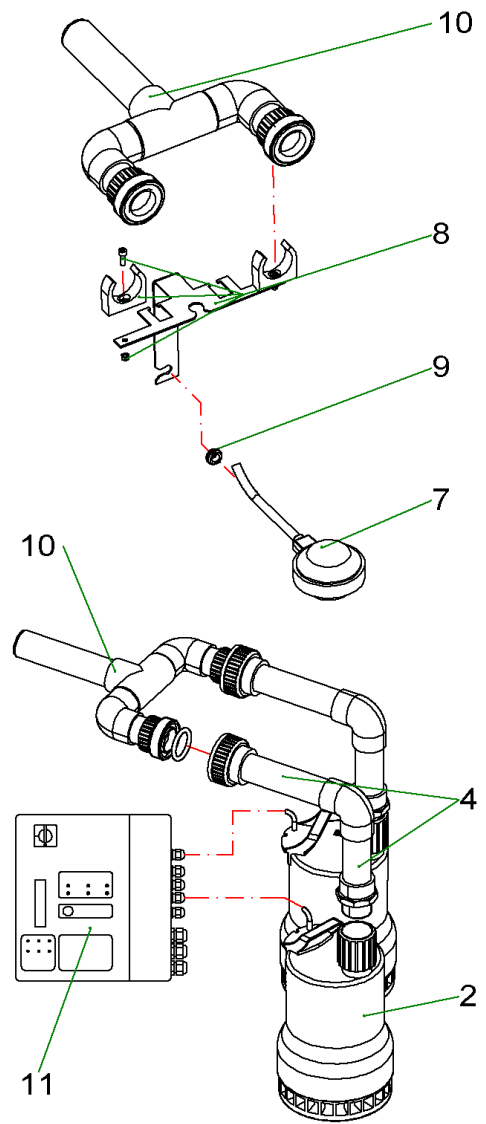
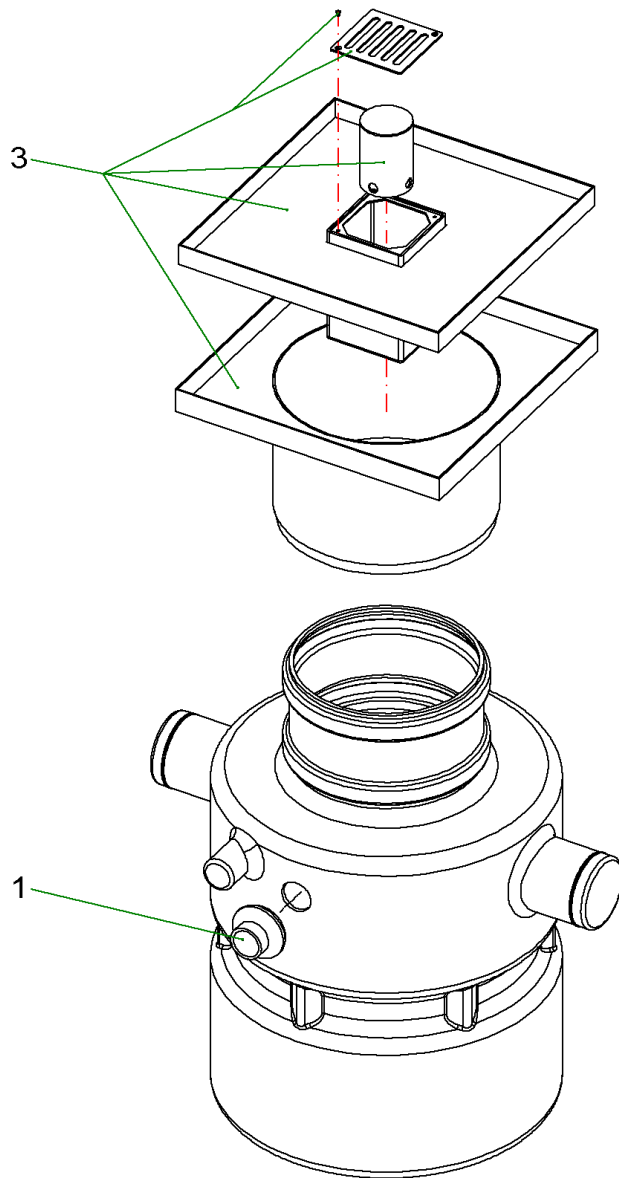
TMW32/11-10m

Item	Article no.	Description	Quantity
1	4053874	SUCTION STRAINER KIT	1
	2067964	O-RING 152,07X2,62 NBR 11514201467 VP.	1
	2067963	O-RING 14X2 NBR TMW32/8 11514201351	1
2	4180918	hydraulic 30 KIT (flat shaft) VP.	1
Note: Indice A-B / Index A-B			
2	4222968	hydraulic 30 KIT (splined shaft) VP.	1
Note: Indice C / Index C			
3	4054116	MECH.SEAL TM/TMW32/MINI SVO/SUBSON	1
4	4055994	CABLE 10m-FLOAT-HANDLE-KIT	1
5	2150924	Capacitor 14µF VP.	1
6	4197584	NON RETURN VALVE VP.	1
	4054117	SELF-CLEANING SYSTEM	1
	19389	DISCHARGE-KIT-SUBSON 20-30	1



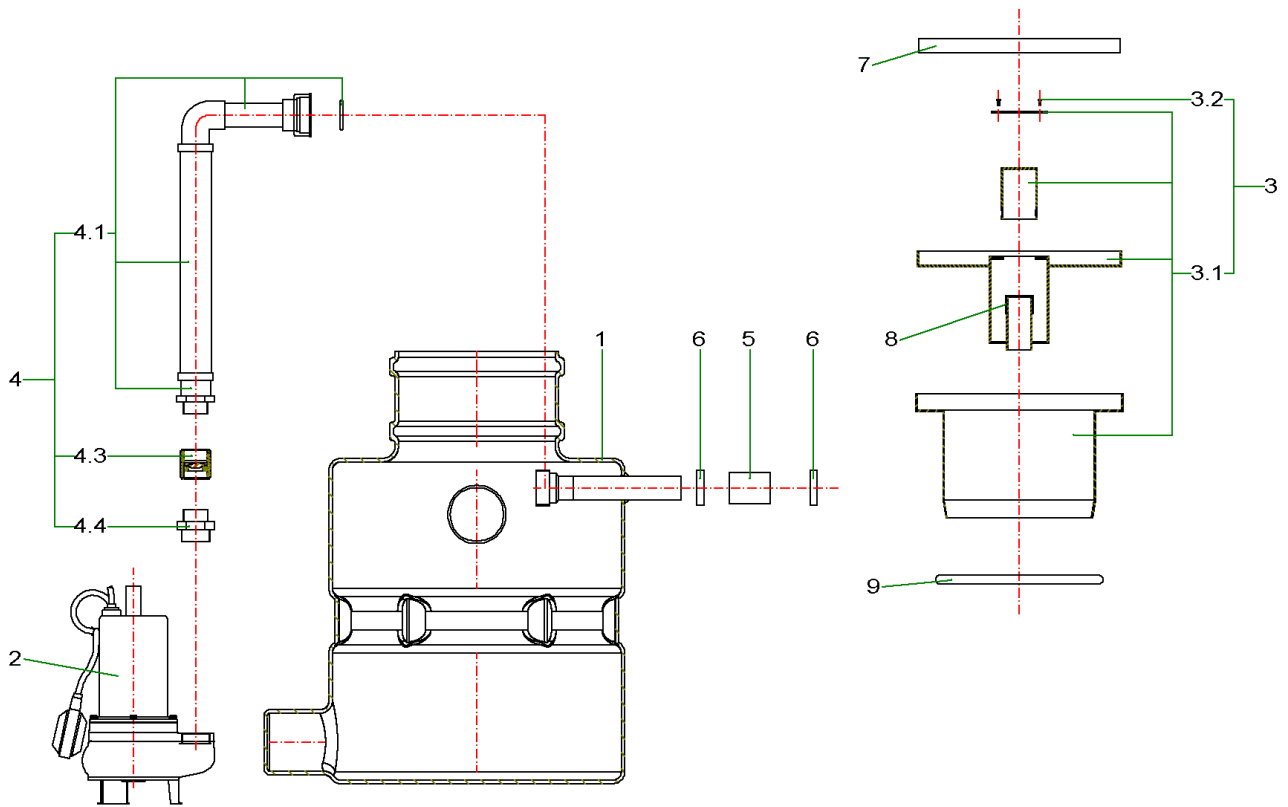
WILO DRAINLIFT Box 32/11 D (2546472)

Item	Article no.	Description	Quantity
1	2027880	GASKET 220-G04 R.-DA40;SBR-41-4060	1
2		TMW32/11-10m	2
3	2064477	FLOOR DRAIN DRAINLIFT BOX	1
4	6220247	discharge pipe DL BOX 2 TMW32/11 PVC VP.	2
10	6220245	discharge pipe DRAINLIFT BOX 2 PVC VP.	1
11	6220252	W-CTRL-MS-L-2x4kW-DOL-O VP.	1
	6220253	PACKING DRAINLIFT Box SET	1
		> HOSE DN40X6,5MM SBR BLACK	1
		> HOSE CLAMP DIN3017-A-40-60X13-C7-W4	2
		>	1
		> PROTECTIVE CAP 250 F.D.48,3 PE.	1
		>	1



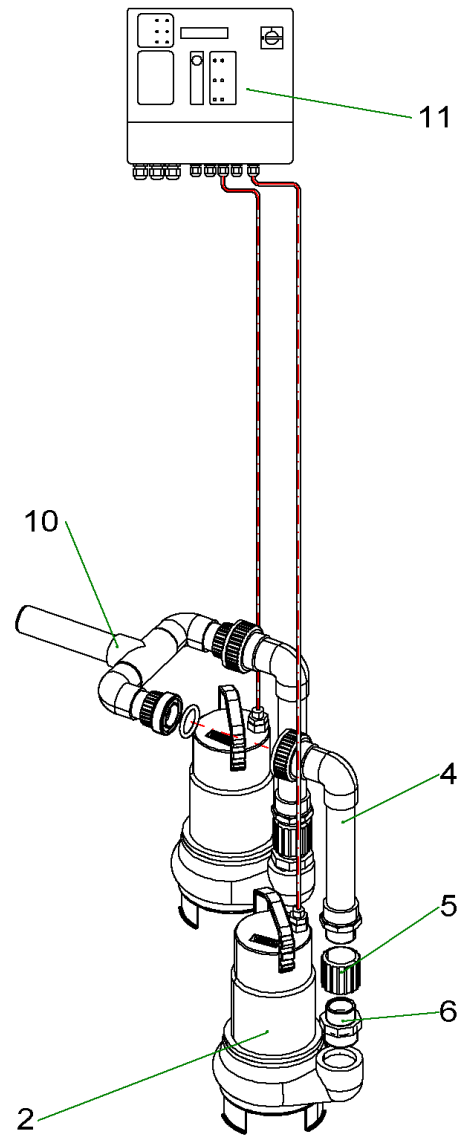
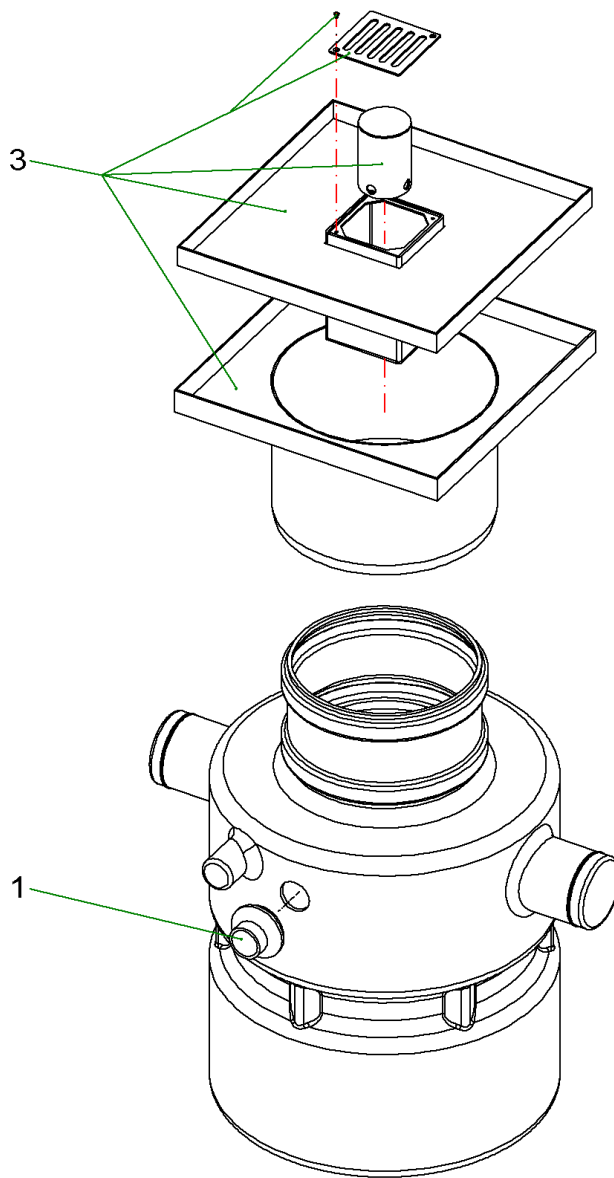
WILO DRAINLIFT Box 32/11 DS (2546473)

Item	Article no.	Description	Quantity
1	2027880	GASKET 220-G04 R.-DA40;SBR-41-4060	1
2		TMW32/11-10m	2
3	2064477	FLOOR DRAIN DRAINLIFT BOX	1
4	6220247	discharge pipe DL BOX 2 TMW32/11 PVC VP.	2
7	6220249	float switch 8A 230V 10M VP.	1
8	6220250	crossbar DL BOX-D KPL. SET	1
		> CROSSBAR DL BOX-D	1
		>	2
		> screw M5x20 ISO4762 A2	2
		> NUT M5 DIN934 A2	2
		> washer A5,3 DIN125 A4	2
		> CABLE-TIE 280x3,6	1
9	6220251	cable-penetration ID.10/12 GI VP.	1
10	6220245	discharge pipe DRAINLIFT BOX 2 PVC VP.	1
11	6220252	W-CTRL-MS-L-2x4kW-DOL-O VP.	1
	6220253	PACKING DRAINLIFT Box SET	1
		> HOSE DN40X6,5MM SBR BLACK	1
		> HOSE CLAMP DIN3017-A-40-60X13-C7-W4	2
		>	1
		> PROTECTIVE CAP 250 F.D.48,3 PE.	1
		>	1



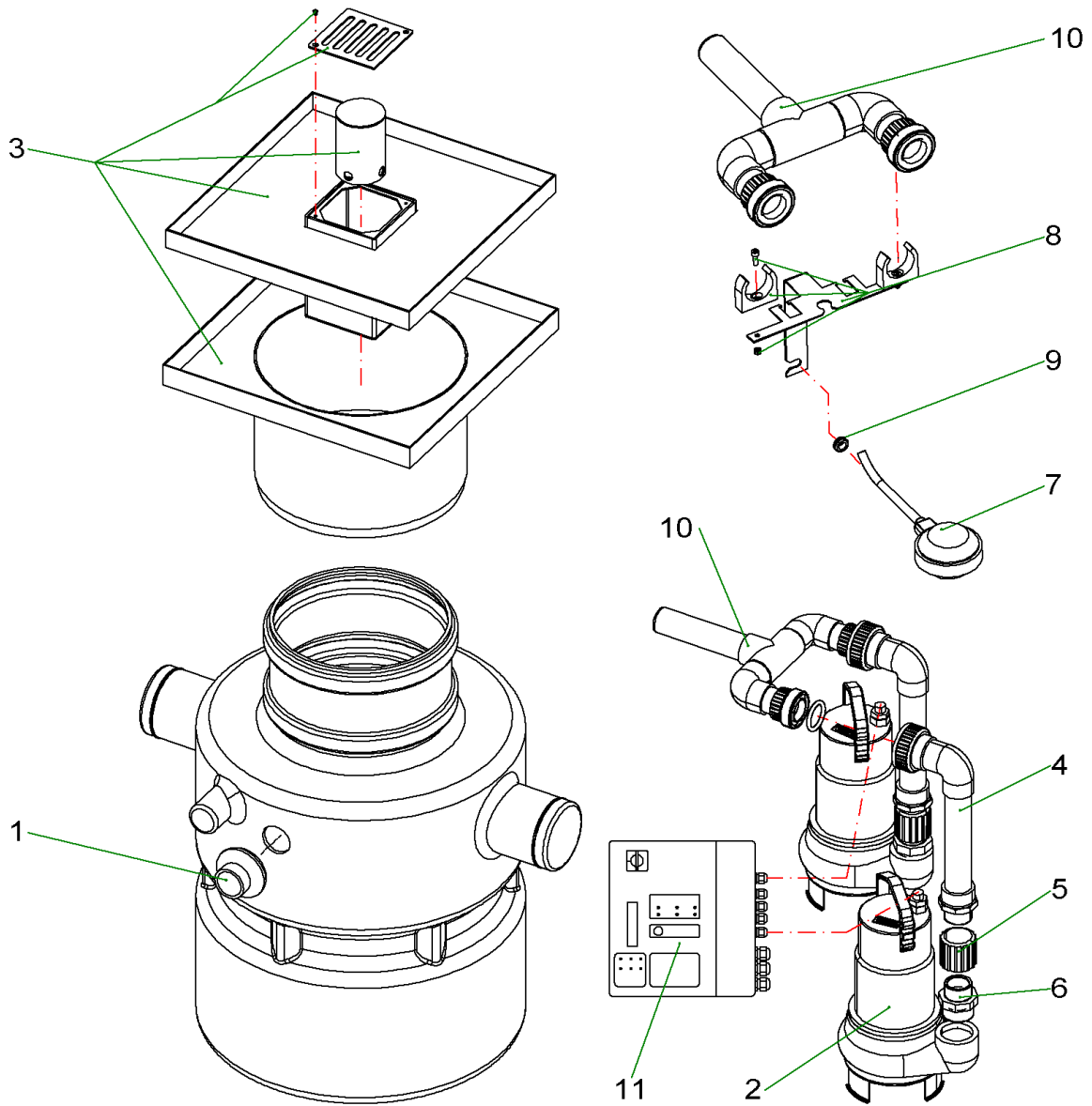
WILO DRAINLIFT Box 40/10 (2521822)

Item	Article no.	Description	Quantity
1	2064483	TANK DRAINLIFT BOX	1
2		TC40/10-1-230/D	1
3	2064477	FLOOR DRAIN DRAINLIFT BOX	1
3.1		> FLOOR DRAIN DRAINLIFT BOX CPL.	1
3.2		> SCREW M3x8 DIN965 A2/Z1	1
4	2064493	DISCHARGE PIPELINE DRAINLIFT BOX40/10KIT	1
4.1	2546520	> DISCHARGE PIPE TC40	1
4.3	2049301	> NON-RETURN VALVE DN32	1
4.4	2064490	> DUAL NIPPLE R11/2" - R11/4" PVC	1
5	2064485	HOSE DN40X6,5MM SBR BLACK L=70	1
6	500803099	HOSE CLAMP DIN3017-A-40-60X13-C7-W4	1
7	2064487	COVER 340x340x25	1
8	2064488	PROTECTIVE CAP D.48,3 PE	1
9	2064489	GASKET D.15MM	1



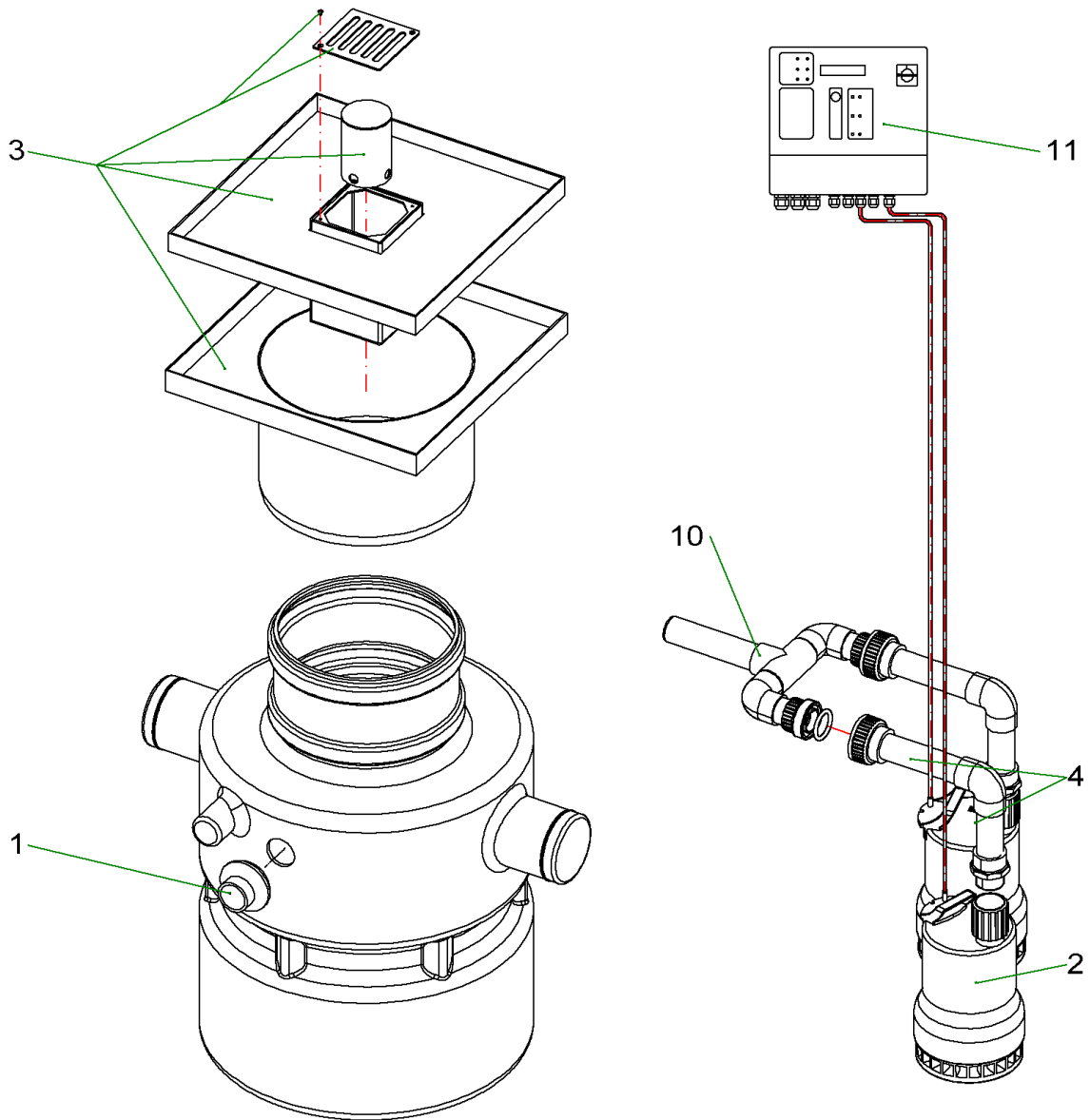
WILO DRAINLIFT BOX 40/10 D (2546474)

Item	Article no.	Description	Quantity
1	2027880	GASKET 220-G04 R.-DA40;SBR-41-4060	1
2		TC40/10-1-230/D	2
3	2064477	FLOOR DRAIN DRAINLIFT BOX	1
4	6220248	discharge pipe DL BOX 2 TC40/10 PVC VP.	2
5	2049301	NON-RETURN VALVE DN32	2
6	2064490	DUAL NIPPLE R11/2" - R11/4" PVC	2
10	6220245	discharge pipe DRAINLIFT BOX 2 PVC VP.	1
11	6220252	W-CTRL-MS-L-2x4kW-DOL-O VP.	1
	6220253	PACKING DRAINLIFT Box SET	1
		> HOSE DN40X6,5MM SBR BLACK	1
		> HOSE CLAMP DIN3017-A-40-60X13-C7-W4	2
		>	1
		> PROTECTIVE CAP 250 F.D.48,3 PE.	1
		>	1



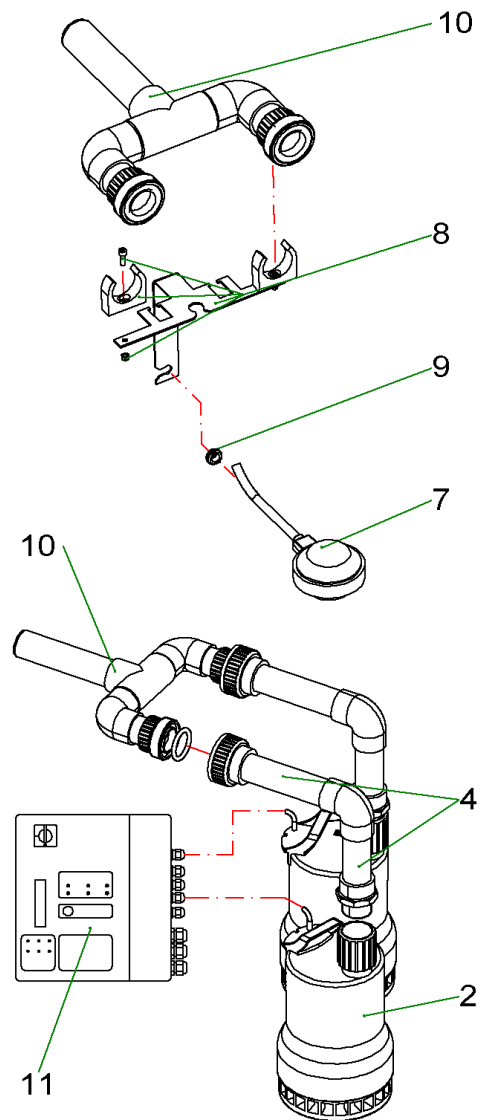
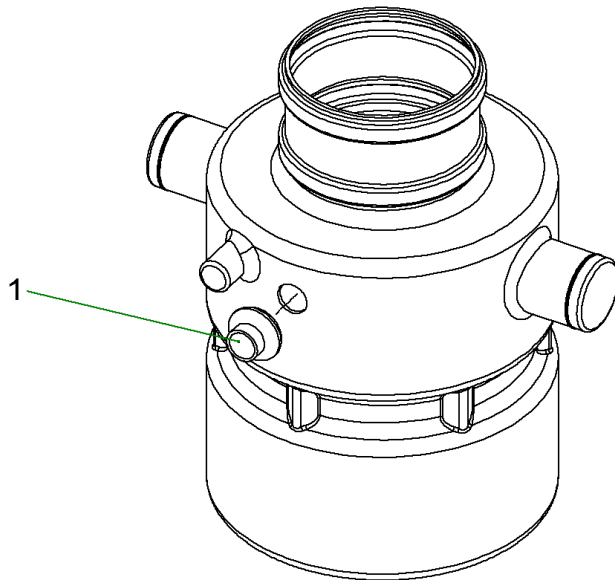
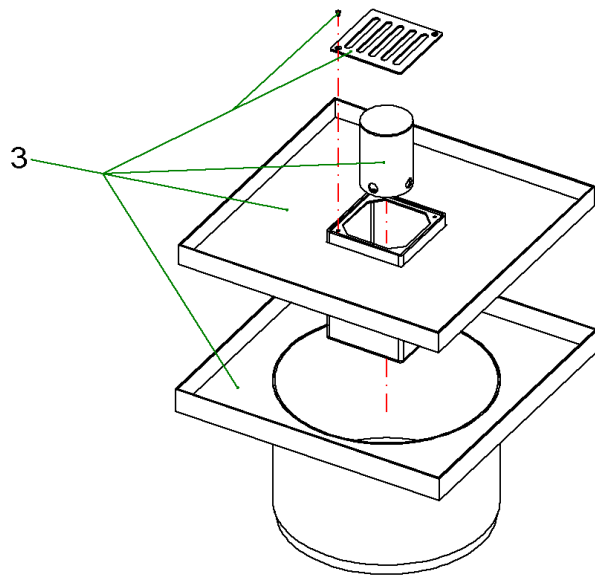
WILO DRAINLIFT BOX 40/10 DS (2546475)

Item	Article no.	Description	Quantity
1	2027880	GASKET 220-G04 R.-DA40;SBR-41-4060	1
2		TC40/10-1-230/D	2
3	2064477	FLOOR DRAIN DRAINLIFT BOX	1
4	6220248	discharge pipe DL BOX 2 TC40/10 PVC VP.	2
5	2049301	NON-RETURN VALVE DN32	2
6	2064490	DUAL NIPPLE R11/2" - R11/4" PVC	2
7	6220249	float switch 8A 230V 10M VP.	1
8	6220250	crossbar DL BOX-D KPL. SET	1
		> CROSSBAR DL BOX-D	1
		>	2
		> screw M5x20 ISO4762 A2	2
		> NUT M5 DIN934 A2	2
		> washer A5,3 DIN125 A4	2
		> CABLE-TIE 280x3,6	1
9	6220251	cable-penetration ID.10/12 GI VP.	1
10	6220245	discharge pipe DRAINLIFT BOX 2 PVC VP.	1
11	6220252	W-CTRL-MS-L-2x4kW-DOL-O VP.	1
	6220253	PACKING DRAINLIFT Box SET	1
		> HOSE DN40X6,5MM SBR BLACK	1
		> HOSE CLAMP DIN3017-A-40-60X13-C7-W4	2
		>	1
		> PROTECTIVE CAP 250 F.D.48,3 PE.	1
		>	1



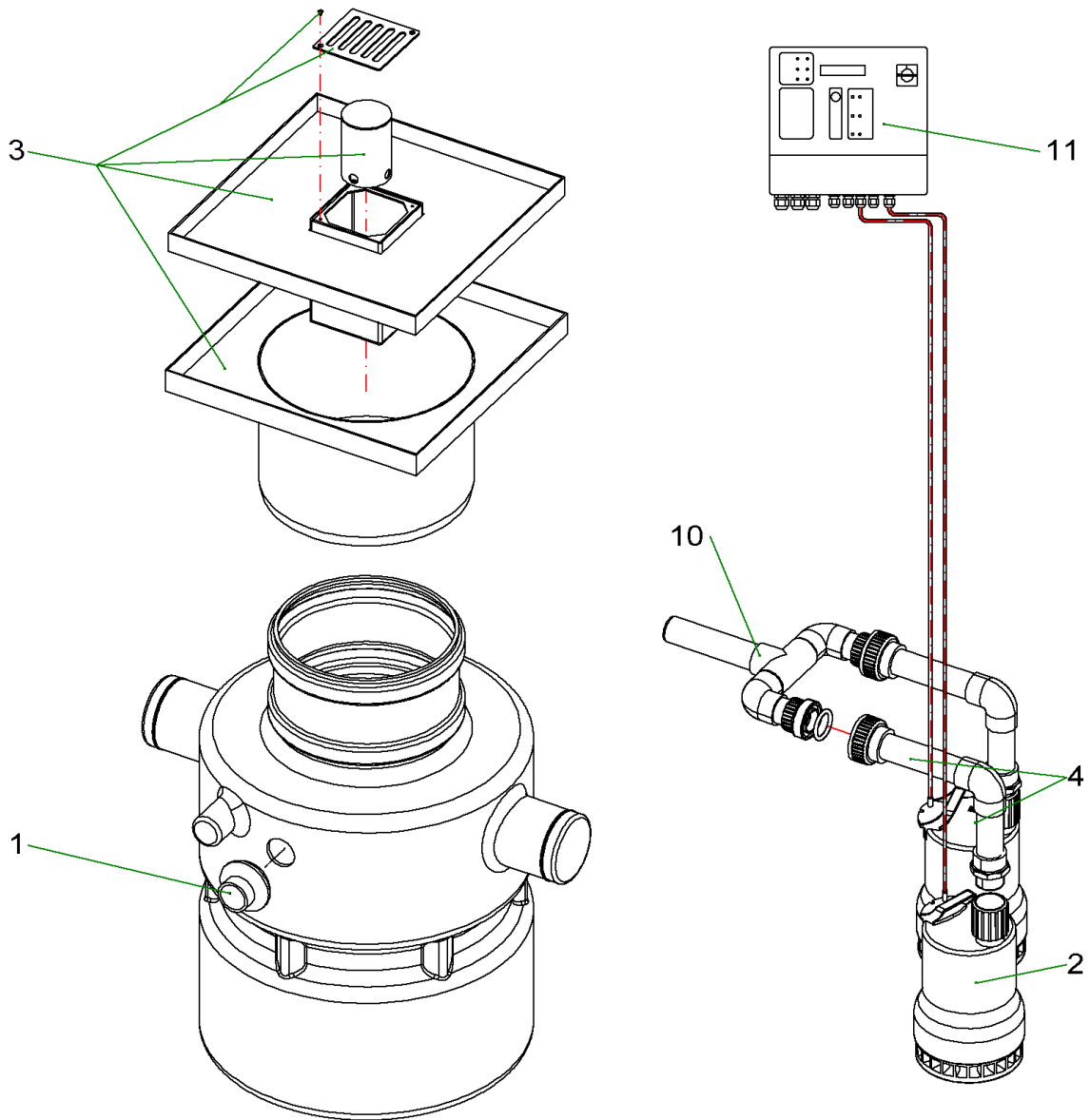
WILO DRAINLIFT Box 32/8HD D (2546510)

Item	Article no.	Description	Quantity
1	2027880	GASKET 220-G04 R.-DA40;SBR-41-4060	1
2		TMW32/8-HD-10M	2
3	2064477	FLOOR DRAIN DRAINLIFT BOX	1
4	6220246	discharge pipe BOX 2 TMW32/8 PVC VP.	2
10	6220245	discharge pipe DRAINLIFT BOX 2 PVC VP.	1
11	6220252	W-CTRL-MS-L-2x4kW-DOL-O VP.	1
	6220253	PACKING DRAINLIFT Box SET	1
		> HOSE DN40X6,5MM SBR BLACK	1
		> HOSE CLAMP DIN3017-A-40-60X13-C7-W4	2
		>	1
		> PROTECTIVE CAP 250 F.D.48,3 PE.	1
		>	1



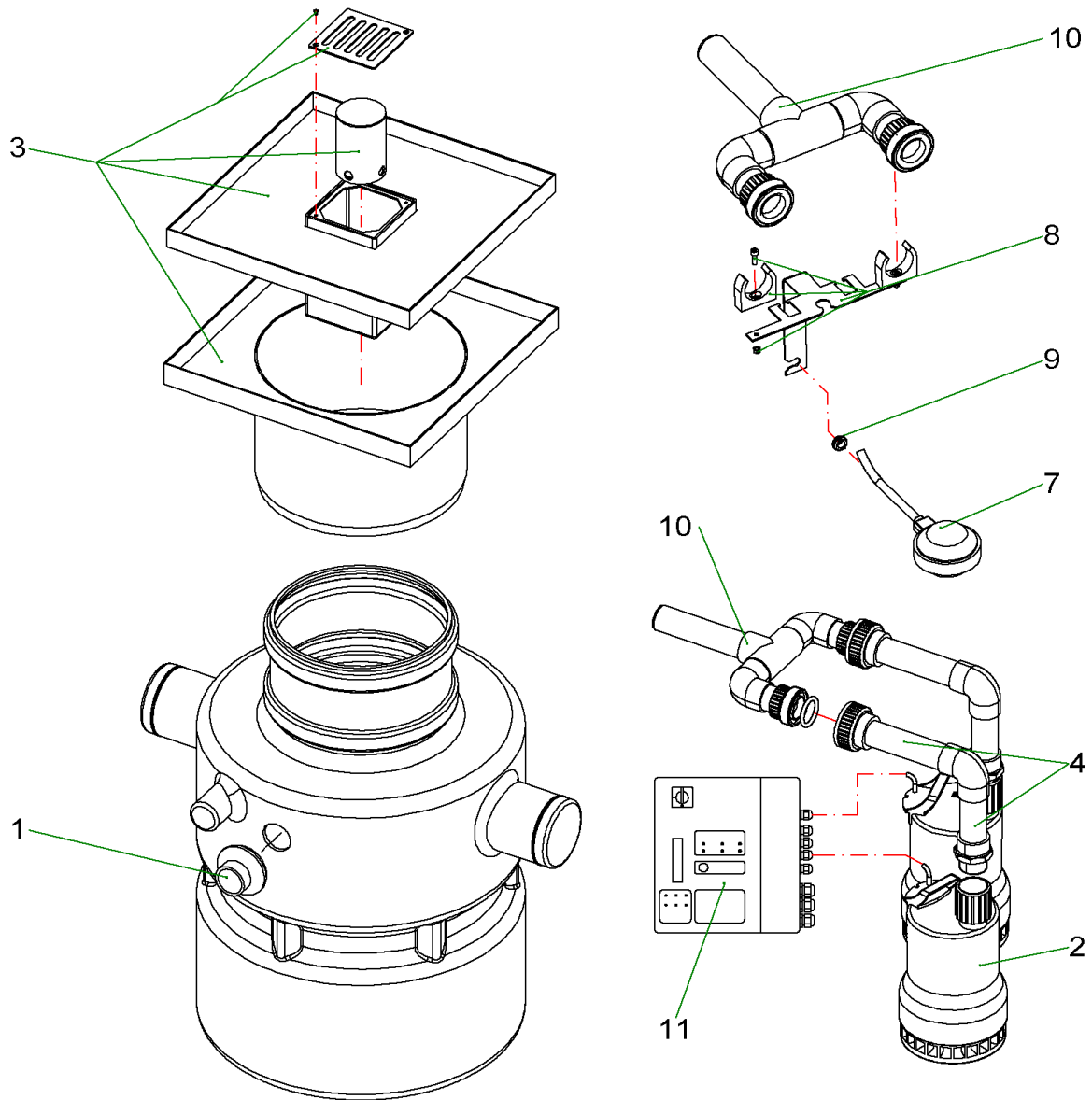
WILO DRAINLIFT Box 32/8HD DS (2546511)

Item	Article no.	Description	Quantity
1	2027880	GASKET 220-G04 R.-DA40;SBR-41-4060	1
2		TMW32/8-HD-10M	2
3	2064477	FLOOR DRAIN DRAINLIFT BOX	1
4	6220246	discharge pipe BOX 2 TMW32/8 PVC VP.	2
7	6220249	float switch 8A 230V 10M VP.	1
8	6220250	crossbar DL BOX-D KPL. SET	1
		> CROSSBAR DL BOX-D	1
		>	2
		> screw M5x20 ISO4762 A2	2
		> NUT M5 DIN934 A2	2
		> washer A5,3 DIN125 A4	2
		> CABLE-TIE 280x3,6	1
9	6220251	cable-penetration ID.10/12 GI VP.	1
10	6220245	discharge pipe DRAINLIFT BOX 2 PVC VP.	1
11	6220252	W-CTRL-MS-L-2x4kW-DOL-O VP.	1
	6220253	PACKING DRAINLIFT Box SET	1
		> HOSE DN40X6,5MM SBR BLACK	1
		> HOSE CLAMP DIN3017-A-40-60X13-C7-W4	2
		>	1
		> PROTECTIVE CAP 250 F.D.48,3 PE.	1
		>	1



WILO DRAINLIFT Box 32/11HD D (2546508)

Item	Article no.	Description	Quantity
1	2027880	GASKET 220-G04 R.-DA40;SBR-41-4060	1
2		TMW32/11HD	2
3	2064477	FLOOR DRAIN DRAINLIFT BOX	1
4	6220247	discharge pipe DL BOX 2 TMW32/11 PVC VP.	2
10	6220245	discharge pipe DRAINLIFT BOX 2 PVC VP.	1
11	6220252	W-CTRL-MS-L-2x4kW-DOL-O VP.	1
	6220253	PACKING DRAINLIFT Box SET	1
		> HOSE DN40X6,5MM SBR BLACK	1
		> HOSE CLAMP DIN3017-A-40-60X13-C7-W4	2
		>	1
		> PROTECTIVE CAP 250 F.D.48,3 PE.	1
		>	1



WILO DRAINLIFT Box 32/11HD DS (2546509)

Item	Article no.	Description	Quantity
1	2027880	GASKET 220-G04 R.-DA40;SBR-41-4060	1
2		TMW32/11HD	2
3	2064477	FLOOR DRAIN DRAINLIFT BOX	1
4	6220247	discharge pipe DL BOX 2 TMW32/11 PVC VP.	2
7	6220249	float switch 8A 230V 10M VP.	1
8	6220250	crossbar DL BOX-D KPL. SET	1
		> CROSSBAR DL BOX-D	1
		>	2
		> screw M5x20 ISO4762 A2	2
		> NUT M5 DIN934 A2	2
		> washer A5,3 DIN125 A4	2
		> CABLE-TIE 280x3,6	1
9	6220251	cable-penetration ID.10/12 GI VP.	1
10	6220245	discharge pipe DRAINLIFT BOX 2 PVC VP.	1
11	6220252	W-CTRL-MS-L-2x4kW-DOL-O VP.	1
	6220253	PACKING DRAINLIFT Box SET	1
		> HOSE DN40X6,5MM SBR BLACK	1
		> HOSE CLAMP DIN3017-A-40-60X13-C7-W4	2
		>	1
		> PROTECTIVE CAP 250 F.D.48,3 PE.	1
		>	1