

TOYO AMPHIBIOUS AGITATOR SAND PUMP

VHF(AUTOMATIC SWITCH)

FEATURE

- Automatic switch by float. Amphibious motor is installed and the motor is able to be operated in the air.



DISCHARGE BORE	50~80mm
OUTPUT	1.5~3.7kw
SOLID SIZE	16~25mm

SPECIFICATION

MODEL	BORE (mm)	STANDARD		SOLID SIZE (mm)	OUTPUT (kW)	POLE (P)	WEIGHT (kg)	CABTYRE CABLE 10m (symbol x mm ² x core)
		HEAD (m)	CAPACITY (m ³ /min)					
VHF-2	50	12	0.2	16	1.5	4	115	3PNCT×2 [#] ×4C
VHF-3	80	7	0.5	25	2.2	4	155	3PNCT×5.5 [#] ×4C
VHF-5	80	12	0.5	25	3.7	4	170	3PNCT×5.5 [#] ×4C

- Specifications are changeable without notice. Please ask for Specification Sheet for the details.
- Custom made equipments are also available.

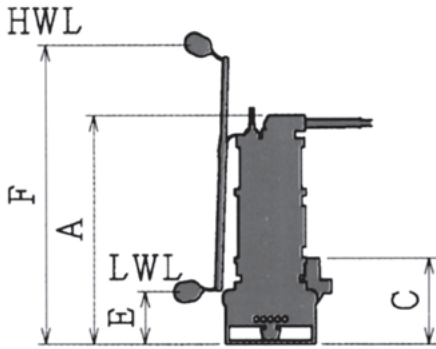
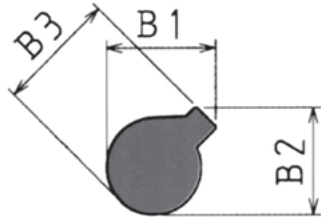
SIZE

Unit : mm

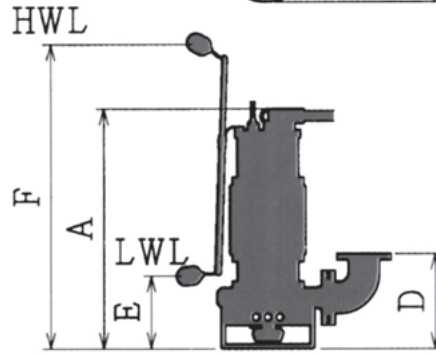
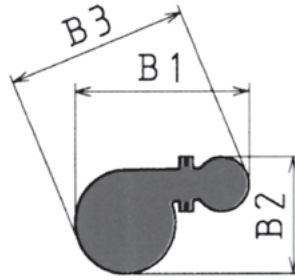
MODEL	A	B1	B2	B3	C	D	E	F
VHF-2	719	344	336	379	270	—	165	940
VHF-3	794	575.5	394.5	620	—	522.5	245	1030
VHF-5	814	595.5	394.5	620	—	322.5	245	1030

- Specifications are changeable without notice. Please ask for Specification Sheet for the details.

VHF-2型

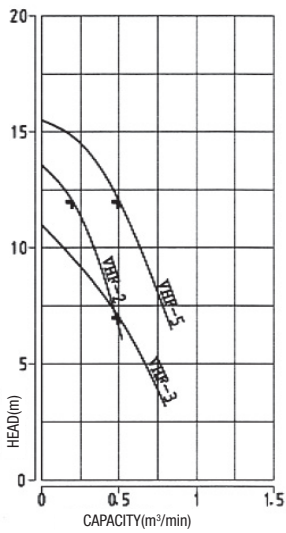


VHF-3,5型



PERFORMANCE CURVES

50Hz 1500r/m



60Hz 1800r/m

