

# Flygt 2071.010

DEWATERING PUMP

50 Hz

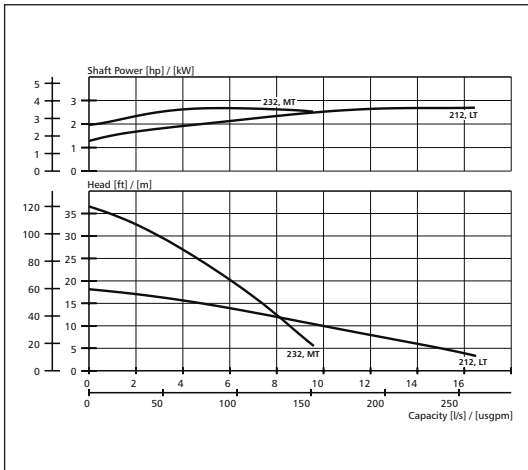
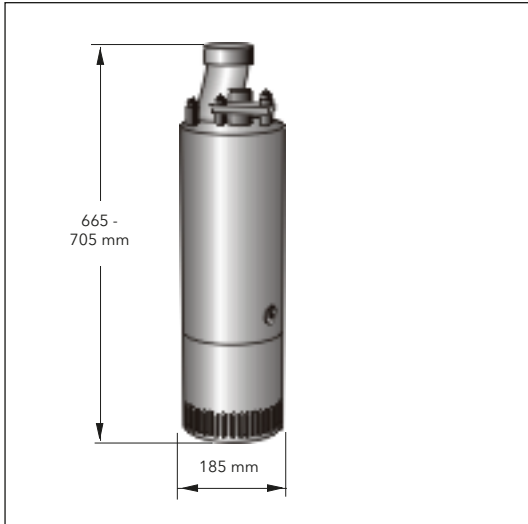
## Tough pumps for dewatering

The Flygt dewatering pumps from Xylem are designed for tough operating conditions. The pumps are ideal for applications in which the water or liquid contains high amounts of clay, stone chips, drilling fines etc, or to pump heavy sediment from tanks, sumps and containers.

These light-weight aluminium pumps are usually used in active dewatering. The slim design makes them fit easily into pipes or other onfined spaces.

Our dewatering pumps are backed by an outstanding support and world-wide presence. Operating in over 150 countries, we bring many years of experience to bear in order to keep your business moving.





Voltage (V)	Rated current (A)	Starting current (A)
220	11.0	60.1
380	6.6	34.6
400	6.3	30.0
415	6.0	31.0
440	5.7	32.9
500	5.0	24.7
550	4.6	27.1
660	3.8	20.0

## Product

Submersible pump for dewatering building yards, draining water in flooded areas, and other similar applications. The pump can handle water containing relatively abrasive solids.

## Denomination

Product code	2071.010
Installation	S
Impeller characteristics	LT, MT
Discharge connection	1½", 2", 3"

## Process data

Liquid temperature	max +40 °C
Depth of immersion	max 20 m
The pH of the pumped liquid	pH 5 - 8
Liquid density	max 1100 kg/m <sup>3</sup>
Strainer hole size	8 mm x 50 mm

## Motor data

Squirrel cage 3-phase induction motor.	
Frequency	50 Hz
Insulation class	H (+180° C)
Voltage variation	
- continuously running	max ± 5%
- intermittent running	max ± 10%
Voltage imbalance between phases	max 2%
No. of starts/hour	max 15

## Monitoring equipment

Thermal contacts

## Cable

Direct-on-line start SUBCAB®

## Material

Outer casing	Aluminium
Impeller, alt.1	Stainless steel
Impeller, alt.2	Stainless steel
Wear parts	Nitrile rubber
Stator housing	Aluminium
Strainer	Galvanized steel
Shaft	Stainless steel
O-rings	Nitrile rubber

## Mechanical face seals

Inner	Corrosion resistant cemented carbide
Outer	Corrosion resistant cemented carbide

## Weight

Total (excl. cable) 28 - 31 kg

## Options

Polyurethane-lined wear parts	POLY-LIFE®
Impeller (HT)	Stainless steel
Discharge connections with coupling B with adapter	
Starters	
Warm liquid	
Various cable sizes	
Zinc anodes	
Tandem connection	

## Accessories

Adapters, hose connections and other mechanical accessories. Electrical accessories such as pump controller, control panels, starters, monitoring relays, cables.

Rating	3~
Rated output	3.0 kW
Speed of rotation	2800 rpm