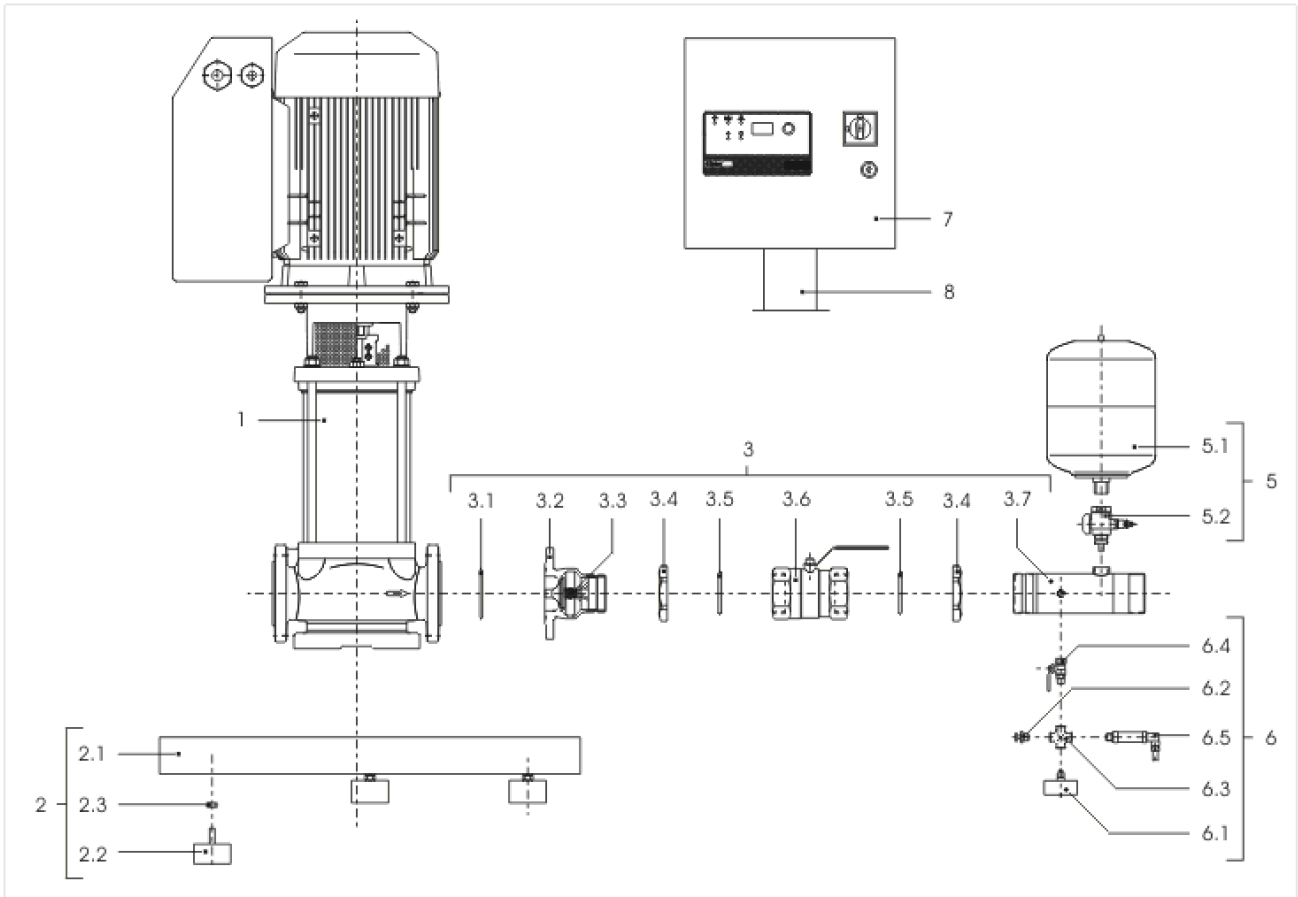




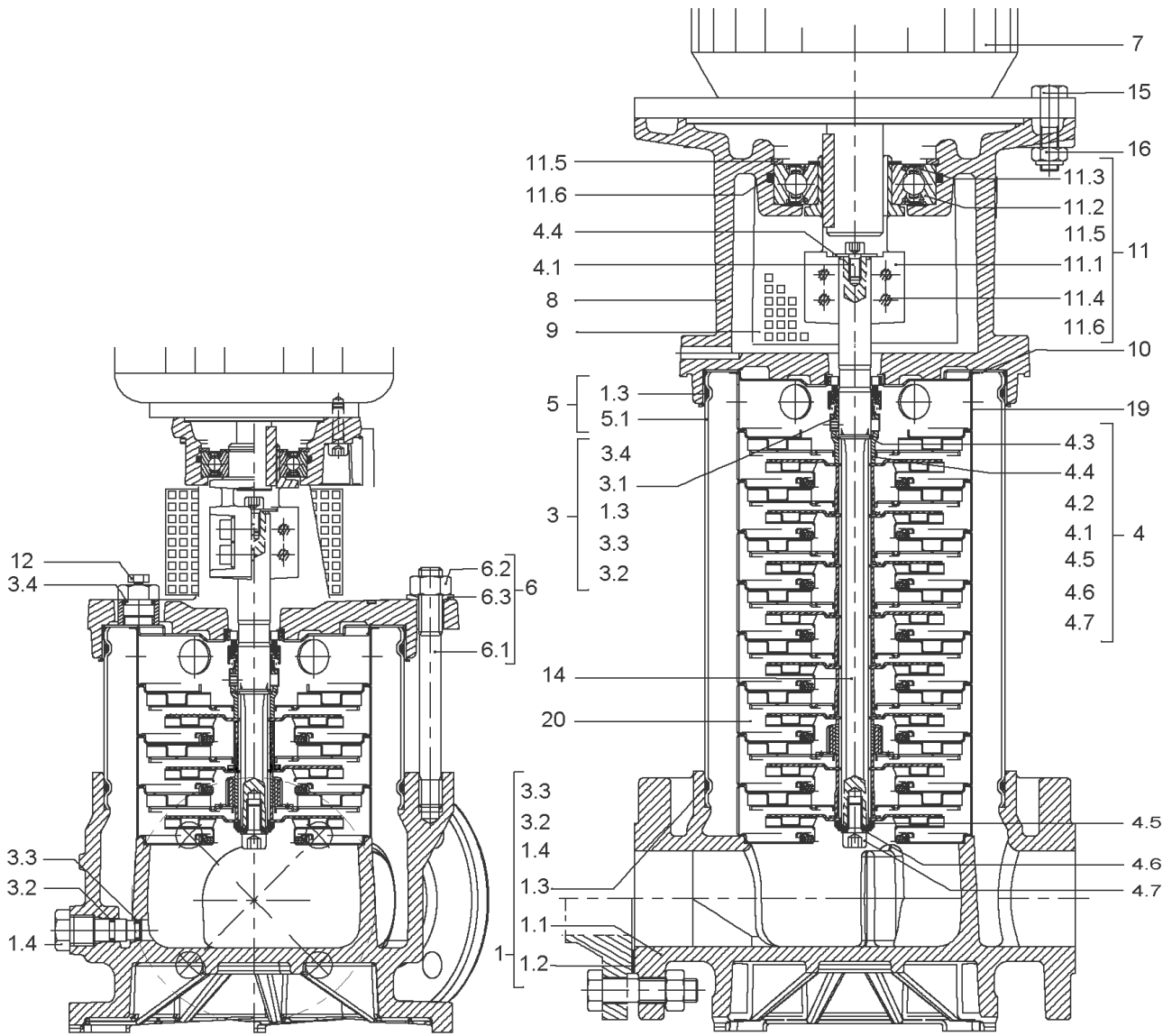
Comfort-Vario COR-1 MVIE/VR

| Article no. | Description |
|-------------|---------------------|
| 2521161 | COR-1MVIE3203-11/VR |
| 2521162 | COR-1MVIE3204/VR |
| 2521163 | COR-1MVIE3205/VR |



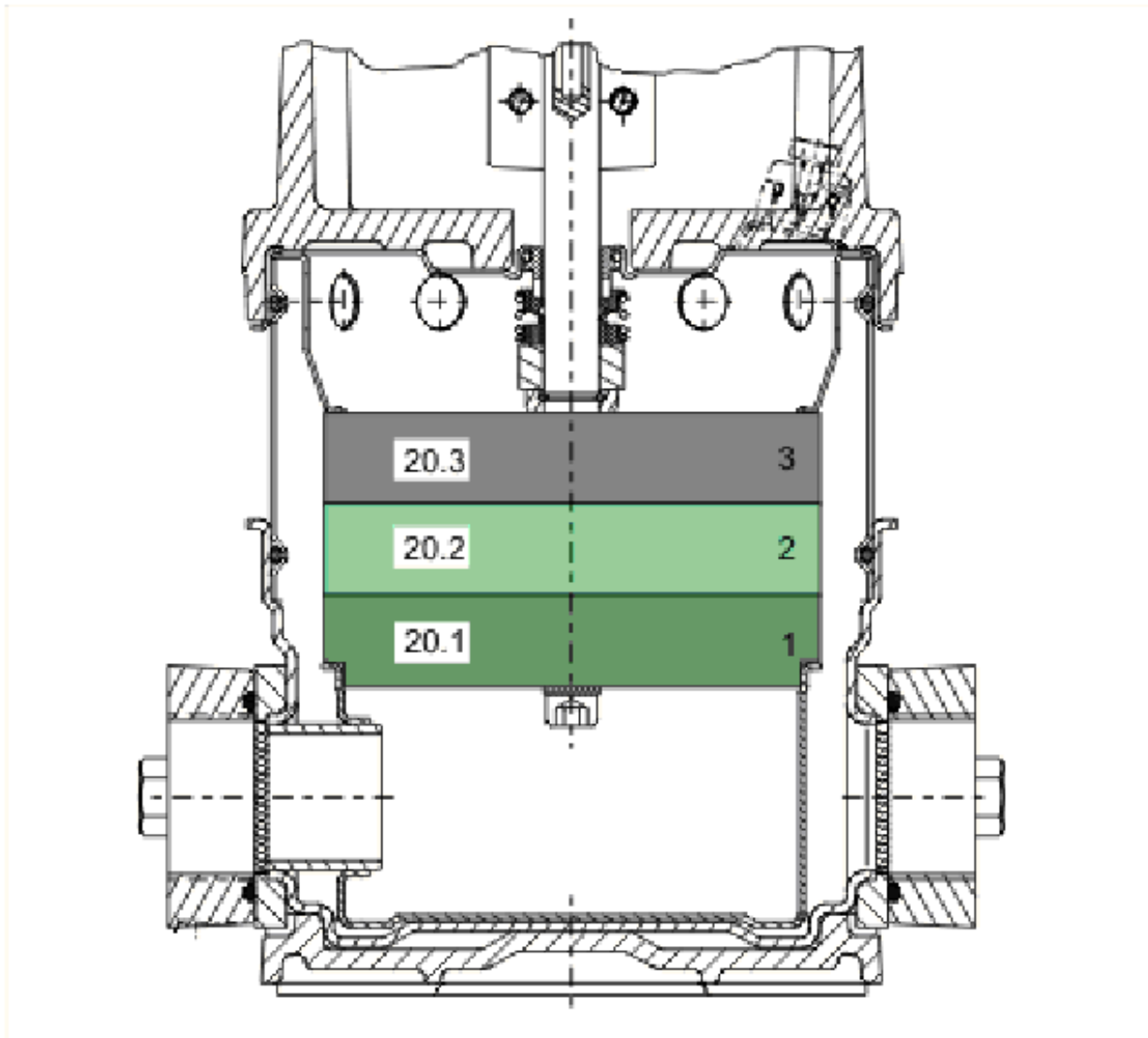
COR-1MVIE3203-11/VR (2521161)

| Item | Article no. | Description | Quantity |
|------|-------------|---|----------|
| 1 | | MVIE3203-11-3/25/E/3-2 | 1 |
| 2 | 2057452 | BASE PLATE DE1 800x800 M12 KIT | 1 |
| 2.1 | | > BASE FRAME CO(R)-1 HELIX 22/36/52 CPL. | 1 |
| 2.2 | 2027881 | > VIBRATION DAMPER M.10X20 D.70 | 1 |
| 2.3 | 2028281 | > NUT M10 DIN936 (ISO4035) 17H VZ | 1 |
| 3 | 2057891 | FITTINGS DELIVERY SIDE CO-1MVI32..KIT | 1 |
| 3.1 | 2028296 | > O-RING ID.91,44x5,33 EPDM 70SHORE | 1 |
| 3.2 | 2028294 | > HOUSING RFV.DN65-G21/2" 1.4404 | 1 |
| 3.3 | 2028295 | > ADAPTER KIT RV TYP223 DN65(21/2") | 1 |
| 3.4 | 2027123 | > NUT G2½ X15 MS | 1 |
| 3.5 | 2025969 | > O-RING ID.72,39x5,33 EPDM 70SHORE | 1 |
| 3.6 | 2106192 | > BALL TAP 21/2" I/I PN40 MS VERN.ACS VP. | 1 |
| 3.7 | 2028297 | > TAPPER NIPPLE G2½"-R2½"x250 1.4571 | 1 |
| 5 | 2166013 | Exchange tank 8L/fitting to 12/04 | 1 |
| 5 | 2032642 | DIAPHREM TANK 8L/PN16 DIN4807/T5 KIT | 1 |
| 5.1 | 2045914 | > DIAPHREM TANK 8L TYP-DD 16BAR | 1 |
| 5.2 | 2027853 | > FLOW FITTING G3/4 FOR DIAPHRAGM VES. | 1 |
| 6 | 2032643 | PRESSURE SENSOR/ GAUGE 0-16BAR | 1 |
| 6.1 | 2028692 | > PRESSURE GAUGE NG63-PN16-G1/4 | 1 |
| 6.2 | 2028691 | > BLOWGUN 1/4" MS 30BAR VP. | 1 |
| 6.3 | 2028290 | > CROSSPIECE R1/4" MS-NICKEL | 1 |
| 6.4 | 2028291 | > BALL TAP R1/4" PN42 GIACOMINI R254DL | 1 |
| 6.5 | 2085909 | > PRESS.SENSOR 1/4" 0-16BAR 4-20MA VP. | 1 |
| 7 | | SWITCH BOX VR 11,0KW-1 WA-WILO | 1 |
| 8 | 2057889 | BRACKET 1223 F.SK.VR/ER 400x400 EB VP. | 1 |



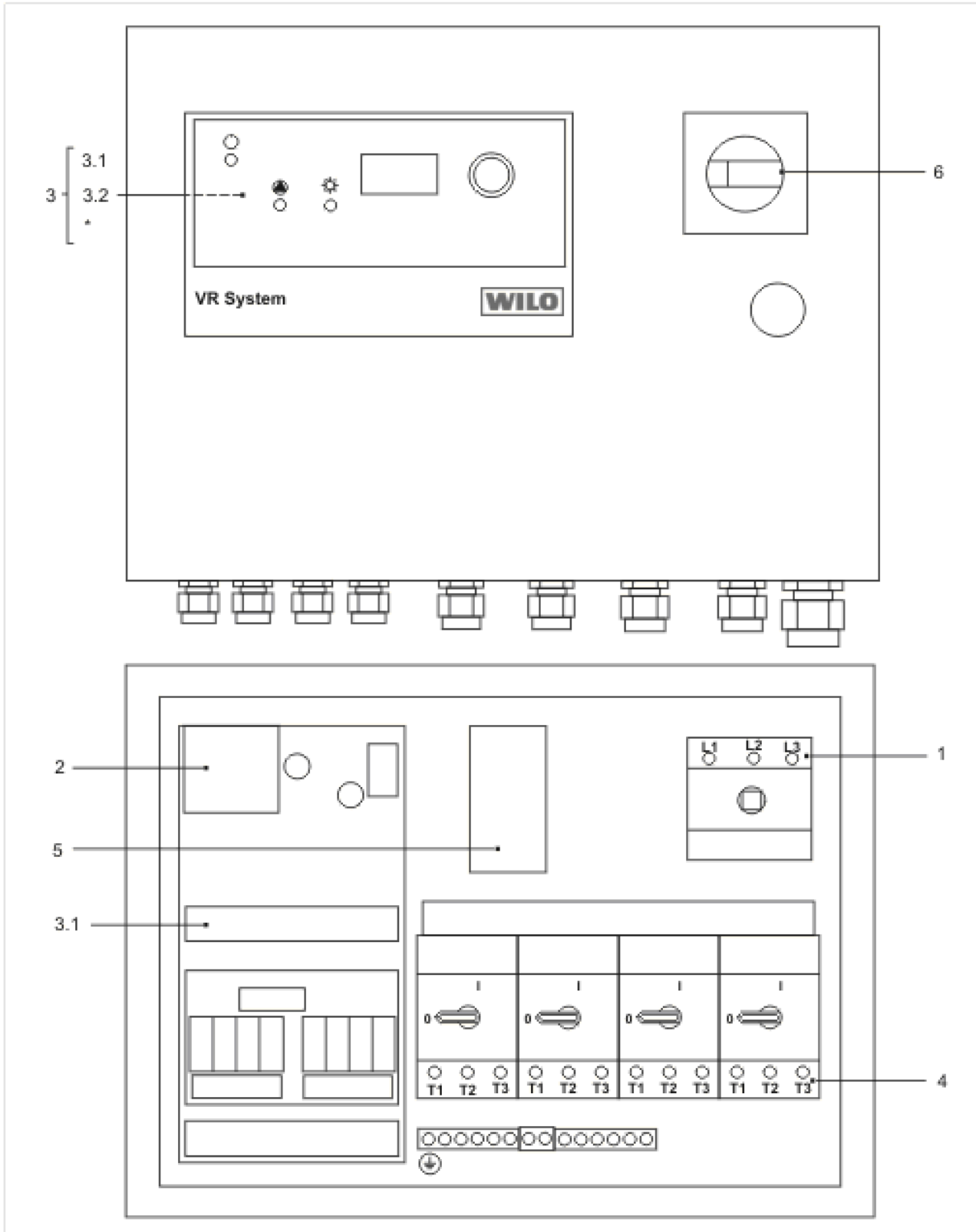
| Item | Article no. | Description | Quantity |
|------|-------------|--|----------|
| 1 | 2057982 | MVIE25-PUMP-CASING-KIT | 1 |
| 1.1 | | > PUMP HOUSING MVIE32 PN25 GJ250 | 1 |
| 1.2 | 2119912 | > GASKET D.77/127X2 DN65 C4430 VP. | 1 |
| 1.3 | 4233955 | > O-RING ID.185 EPDM VP. | 1 |
| 1.4 | 4144692 | > PRIMING/DRAIN PLUG MVI8"-304 | 1 |
| 3.2 | 4032293 | > O-RING-10x3-EPDM-KTW/WRC | 1 |
| 3.3 | 4042329 | > O-RING-D7,52xD3,52-EPDM-KTW/WRC | 1 |
| 3.3 | 4233957 | > O-RING ID.9 EPDM VP. | 1 |
| 3 | 4043157 | MECH.SEAL PN25 EPDM MVI16/32/52 KIT | 1 |
| 1.3 | 4233955 | > O-RING ID.185 EPDM VP. | 1 |
| 3.1 | | > MECHANICAL-SEAL-RMG12/22-G606-U3BEGG-BUR | 1 |
| 3.2 | 4032293 | > O-RING-10x3-EPDM-KTW/WRC | 1 |
| 3.3 | 4233957 | > O-RING ID.9 EPDM VP. | 1 |
| 3.4 | 4032291 | > O-RING 17x3 EPDM KTW/WRC | 1 |
| 4 | 4043168 | SHAFT EQUIPMENT KIT MVI32 | 1 |
| 4.1 | | > SCREW M8x16 ISO4762 8.8 ZN | 1 |
| 4.2 | | > WASHER D.10 INOX | 1 |
| 4.3 | | > STOP-RUSH 1/2 D22-MULTI-V-316 | 1 |
| 4.4 | | > STOP COLLAR OF IMPELLER L=28.8-Ø22-316L | 1 |
| 4.5 | | > WASHER-8,25x26x1,5-STEEL | 1 |
| 4.6 | | > SERRATED LOCK WASHER D10xD22-316L | 1 |
| 4.7 | | > SCREW M10X20 ISO4762 A4.70 | 1 |
| 5 | 4052339 | HOUSING PIPE D.204X158,5 1.4301 KIT | 1 |
| 5.1 | | > HOUSING-PIPE-D204-VMI1604/3003-1.4301 | 1 |
| 1.3 | 4233955 | > O-RING ID.185 EPDM VP. | 1 |
| 6 | 4052361 | MVI16/32-STUD-BOLT-KIT | 1 |
| 6.1 | | > STUD-BOLT-M16-198x24x44 CLASS8.8 ZN+FINI | 1 |
| 6.2 | 4233951 | > NUT H M VP. | 1 |
| 6.3 | 61701 | > DISC 16MOY.NOMEL | 1 |
| 7 | 4065631 | MOT-VAR11-2T40P54V1-160M2-FF300-N42-VEM | 1 |
| 8 | 4193324 | LANTERN-MOT.VMI16/30-FF300-D42 VP. | 1 |
| 9 | 4092425 | COUPLING GUARD FF265/300 MVI KIT | 1 |
| | | > GUARD-MESH-COUPLING-FF265-300 | 1 |
| | | > CLIP COUPLING-GUARD-RF | 1 |

| Item | Article no. | Description | Quantity |
|------|-------------|--|----------|
| 10 | 4217877 | STATIONARY RING HOLDER FOR MVI16/32 VP. | 1 |
| 11 | 4095230 | 3PH COUPLING KIT MVI D22XD42 | 1 |
| 11.1 | | > COUPLING-VMI-D22XD42-FF300-MACHINED | 1 |
| 11.2 | 121083895 | > BALL BEARING 6312/2Z-C3 (HT) VP. | 1 |
| 11.3 | 63428 | > CIRCLIP-FOR-SHAFT-D60x2 | 1 |
| 11.4 | 4094462 | > SCREWS M10 (4 PIECES) | 1 |
| 11.5 | 4032277 | > CIRCLIP-HOLE-130x4 | 1 |
| 11.6 | 4006725 | > O-RING ID.132,94x3,53 NBR70SR | 1 |
| | | > CONTACT-WASHER-10MOY-10,2x22,25x1,6-STEE | 1 |
| | | > SCREW M8x16 ISO4762 8.8 ZN | 1 |
| | | > WASHER-8,25x26x1,5-STEEL | 1 |
| 12 | 4032373 | FILLING/VENTING-PLUG-VMI8/10-316L | 1 |
| 14 | 4088314 | SHAFT Lg:250,5 MVI 1604/3203 KIT | 1 |
| | | > PUMP SHAFT-VMI-D22-1604/3203-316-LEFT TA | 1 |
| | | > SCREW M10x25 ISO4762 A4.70 LEFT | 1 |
| 15 | 74750911106 | SCREW M16x55x35 ISO4014 6.8 ZN | 1 |
| 16 | 4233951 | NUT H M VP. | 1 |
| 19 | 4032353 | CENTERING END STAGE G/V 30M3-8"-304 | 1 |
| 20 | 4194723 | HYDRAULIC CPL.MVI3203-8" 1.4301 KIT | 1 |
| 20 | | Hydraulic cpl.(Pos.19+20)without MS. | 1 |
| 20 | | SPARE PARTS HYDRAULICS MVI/MVIE 1.4301 | 1 |
| | 75110311204 | KEY-2BT-10X8X60 | 1 |



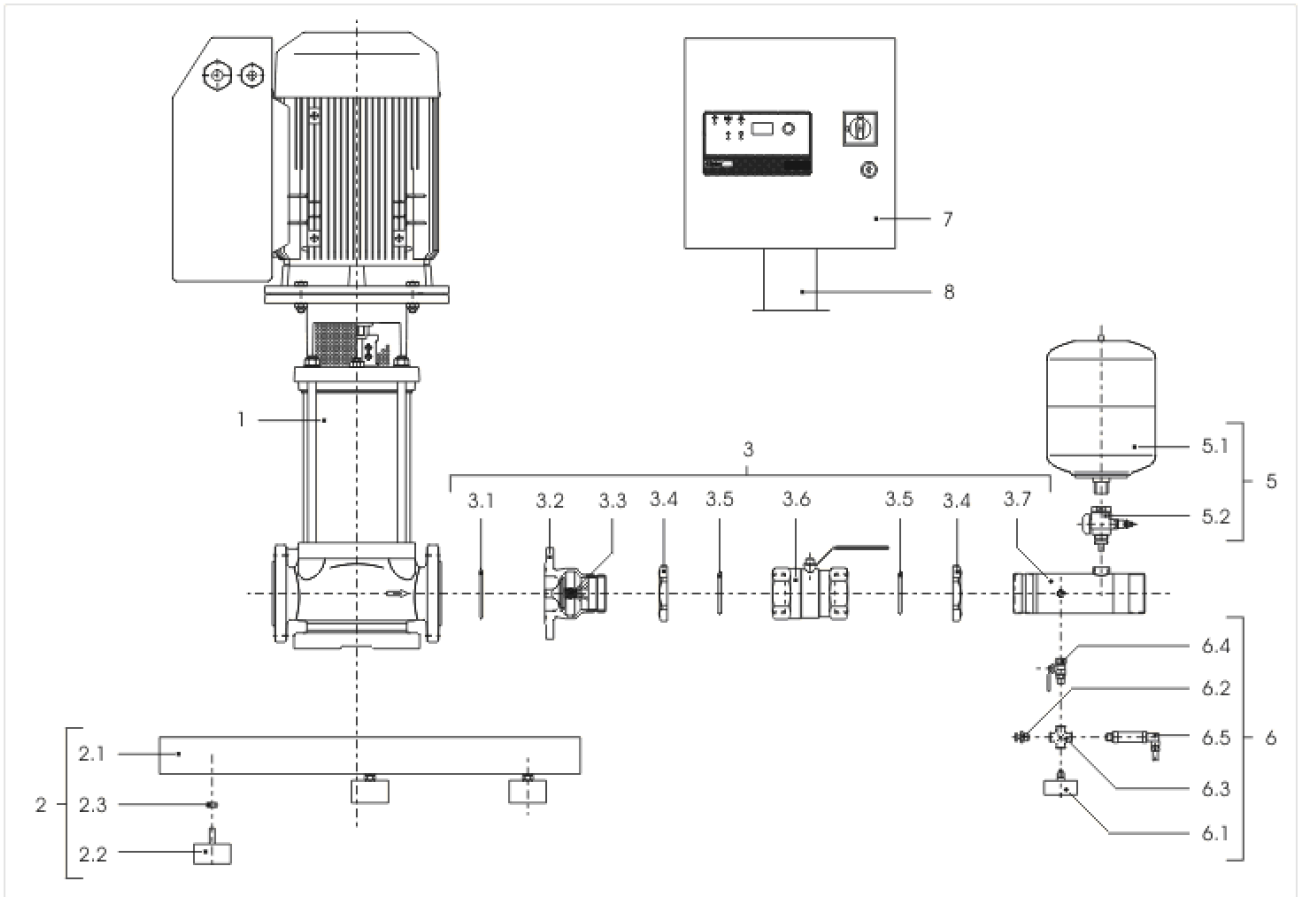
SPARE PARTS HYDRAULICS MVI/MVIE 1.4301

| Item | Article no. | Description | Quantity |
|-------------|--------------------|-----------------------------------|-----------------|
| 20.1 | 4043173 | STAGE-KIT-MVI-32-304 | 1 |
| | | > SLEEVE-SPACER-D22xL8,7-316L | 1 |
| | | > STAGE CASING-SS-C/R-30M3-8"-304 | 1 |
| | | > IMPELLER-MULTI-V-30M3-8"-304 | 1 |
| 20.2 | 4043174 | STAGE-KIT-MVI-32-304 | 1 |
| | | > SLEEVE-SPACER-D22xL13,8-316L | 1 |
| | | > IMPELLER-MULTI-V-30M3-8"-304 | 1 |
| | | > STAGE CASING-AV-C/R-COU-30M-8" | 1 |
| | | > SHAFT SLEEVE D22-L21-VM16/30 | 1 |
| 20.3 | 4043175 | STAGE-KIT-MVI-32-304 | 1 |
| | | > IMPELLER-MULTI-V-30M3-8"-304 | 1 |
| | | > SPACER IMPELLER-MULTI-V-30M3-8" | 1 |
| | | > STAGE CASING-AV-C/R-30M3-8"-304 | 1 |



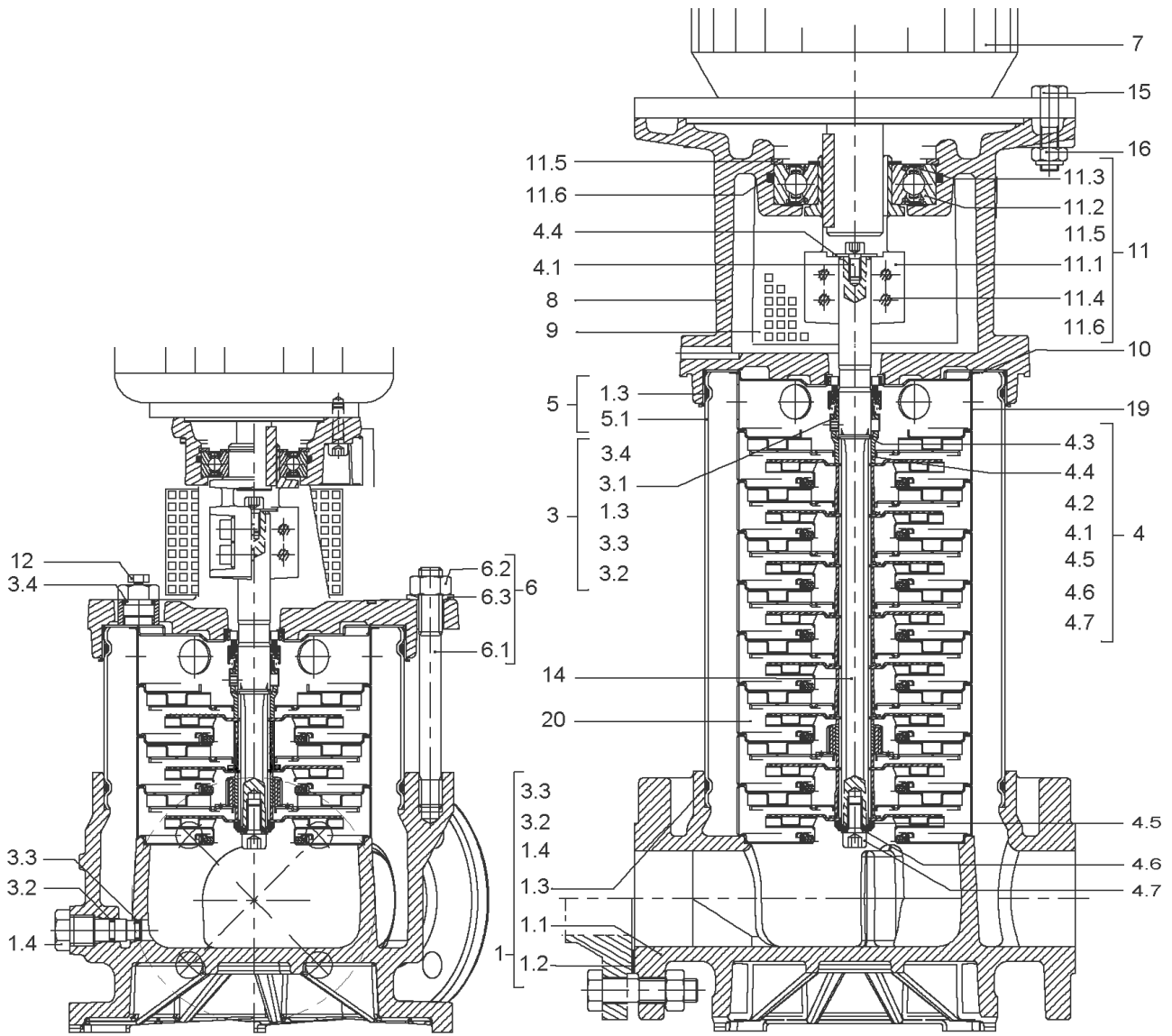
SWITCH BOX VR 11,0KW-1 WA-WILO

| Item | Article no. | Description | Quantity |
|--|-------------|---|----------|
| | 2104471 | MAIN SWITCH OT40F3 L105 KIT | 1 |
| 1 | 2104462 | > MAIN SWITCH OT40F3 VP. | 1 |
| Note: FROM/ AB/ À PARTIR DE:15.04.2009 | | | |
| 7 | 2104457 | > HANDLE OHYS 2AJ1/SHAFT OXS6x105 VP. | 1 |
| Note: FROM/ AB/ À PARTIR DE:15.04.2009 | | | |
| 2 | 2046306 | BASE BOARD VR VP. | 1 |
| 3.1 | 2046307 | BOARD µC VR TO12/2008 VP. | 1 |
| 3.2 | 2046308 | BOARD DISPLAY VR TO12/2008 VP. | 1 |
| * | 2046284 | CABLE VR-DISPLAY L=180MM TO12/2008 VP. | 1 |
| 3 | 2100518 | BOARD µC/DISPLAY VR +CABLE 230MM KIT | 1 |
| 3.1 | 2100513 | > BOARD µC VR FROM01/2009 VP. | 1 |
| 3.2 | 2100512 | > BOARD DISPLAY VR FROM01/2009 VP. | 1 |
| * | 2100515 | > CABLE VR µC-DISPLAY L=230MM FROM01/2009 | 1 |
| 4 | 2050174 | MOTOR PROTECTION SWITCH MS 225-20A VP. | 1 |
| Note: TO/ BIS/ JUSQ'À :12.01.2010 | | | |
| 4 | 2051218 | AUTOM.CIRCUIT BREAKER S203 B25 FOR 11kW | 1 |
| Note: FROM/ AB/ À PARTIR DE:13.01.2010 | | | |
| 5 | 2046288 | CIRCUIT BREAKER S201 B16 | 1 |



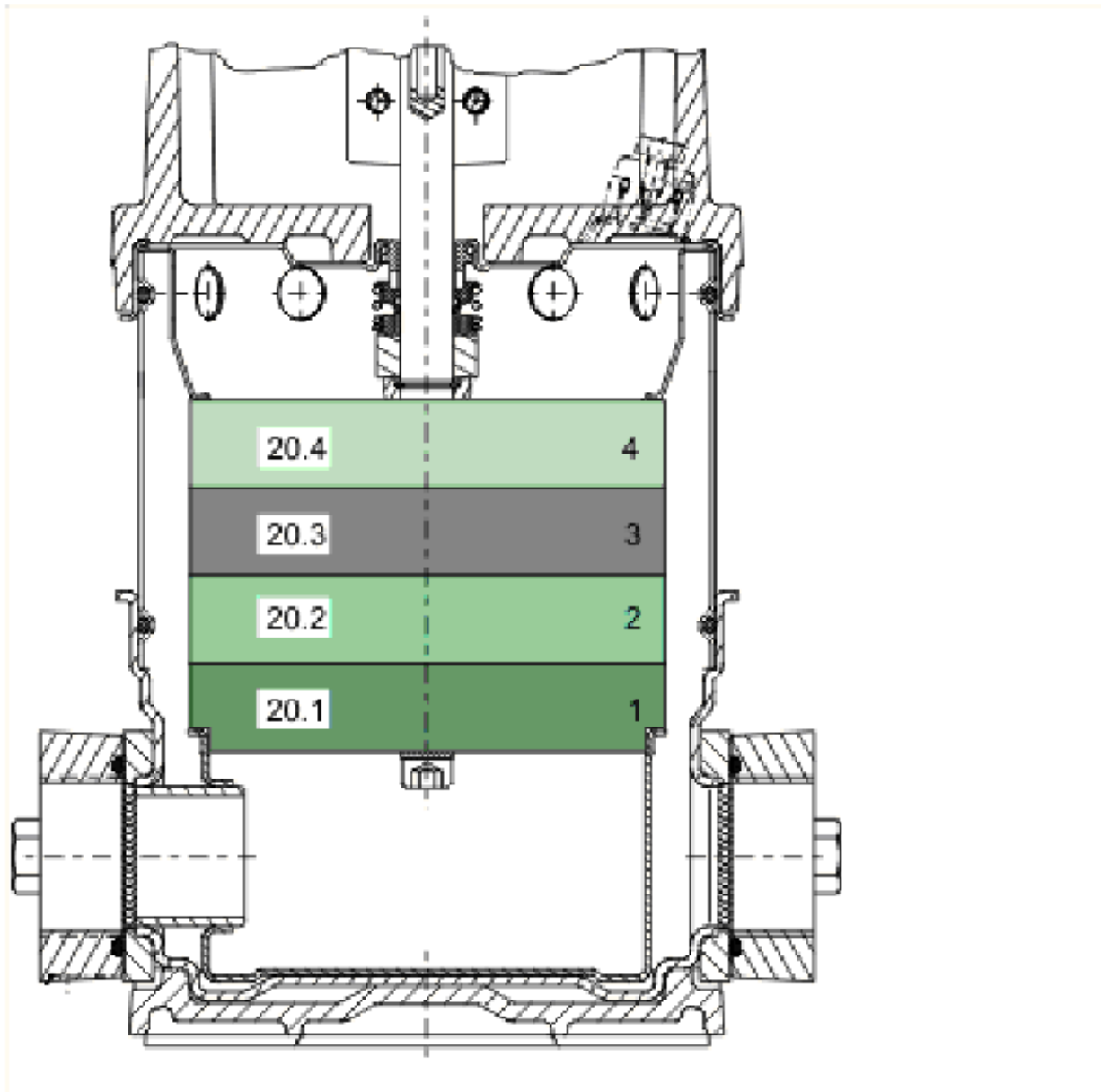
COR-1MVIE3204/VR (2521162)

| Item | Article no. | Description | Quantity |
|------|-------------|---|----------|
| 1 | | MVIE3204-3/25/E/3-2 | 1 |
| 2 | 2057452 | BASE PLATE DE1 800x800 M12 KIT | 1 |
| 2.1 | | > BASE FRAME CO(R)-1 HELIX 22/36/52 CPL. | 1 |
| 2.2 | 2027881 | > VIBRATION DAMPER M.10X20 D.70 | 1 |
| 2.3 | 2028281 | > NUT M10 DIN936 (ISO4035) 17H VZ | 1 |
| 3 | 2057891 | FITTINGS DELIVERY SIDE CO-1MVI32..KIT | 1 |
| 3.1 | 2028296 | > O-RING ID.91,44x5,33 EPDM 70SHORE | 1 |
| 3.2 | 2028294 | > HOUSING RFV.DN65-G21/2" 1.4404 | 1 |
| 3.3 | 2028295 | > ADAPTER KIT RV TYP223 DN65(21/2") | 1 |
| 3.4 | 2027123 | > NUT G2½ X15 MS | 1 |
| 3.5 | 2025969 | > O-RING ID.72,39x5,33 EPDM 70SHORE | 1 |
| 3.6 | 2106192 | > BALL TAP 21/2" I/I PN40 MS VERN.ACS VP. | 1 |
| 3.7 | 2028297 | > TAPPER NIPPLE G2½"-R2½"x250 1.4571 | 1 |
| 5 | 2166013 | Exchange tank 8L/fitting to 12/04 | 1 |
| 5 | 2032642 | DIAPHREM TANK 8L/PN16 DIN4807/T5 KIT | 1 |
| 5.1 | 2045914 | > DIAPHREM TANK 8L TYP-DD 16BAR | 1 |
| 5.2 | 2027853 | > FLOW FITTING G3/4 FOR DIAPHRAGM VES. | 1 |
| 6 | 2032643 | PRESSURE SENSOR/ GAUGE 0-16BAR | 1 |
| 6.1 | 2028692 | > PRESSURE GAUGE NG63-PN16-G1/4 | 1 |
| 6.2 | 2028691 | > BLOWGUN 1/4" MS 30BAR VP. | 1 |
| 6.3 | 2028290 | > CROSSPIECE R1/4" MS-NICKEL | 1 |
| 6.4 | 2028291 | > BALL TAP R1/4" PN42 GIACOMINI R254DL | 1 |
| 6.5 | 2085909 | > PRESS.SENSOR 1/4" 0-16BAR 4-20MA VP. | 1 |
| 7 | | SWITCH BOX VR 15,0KW-1 WA-WILO | 1 |
| 8 | 2057889 | BRACKET 1223 F.SK.VR/ER 400x400 EB VP. | 1 |



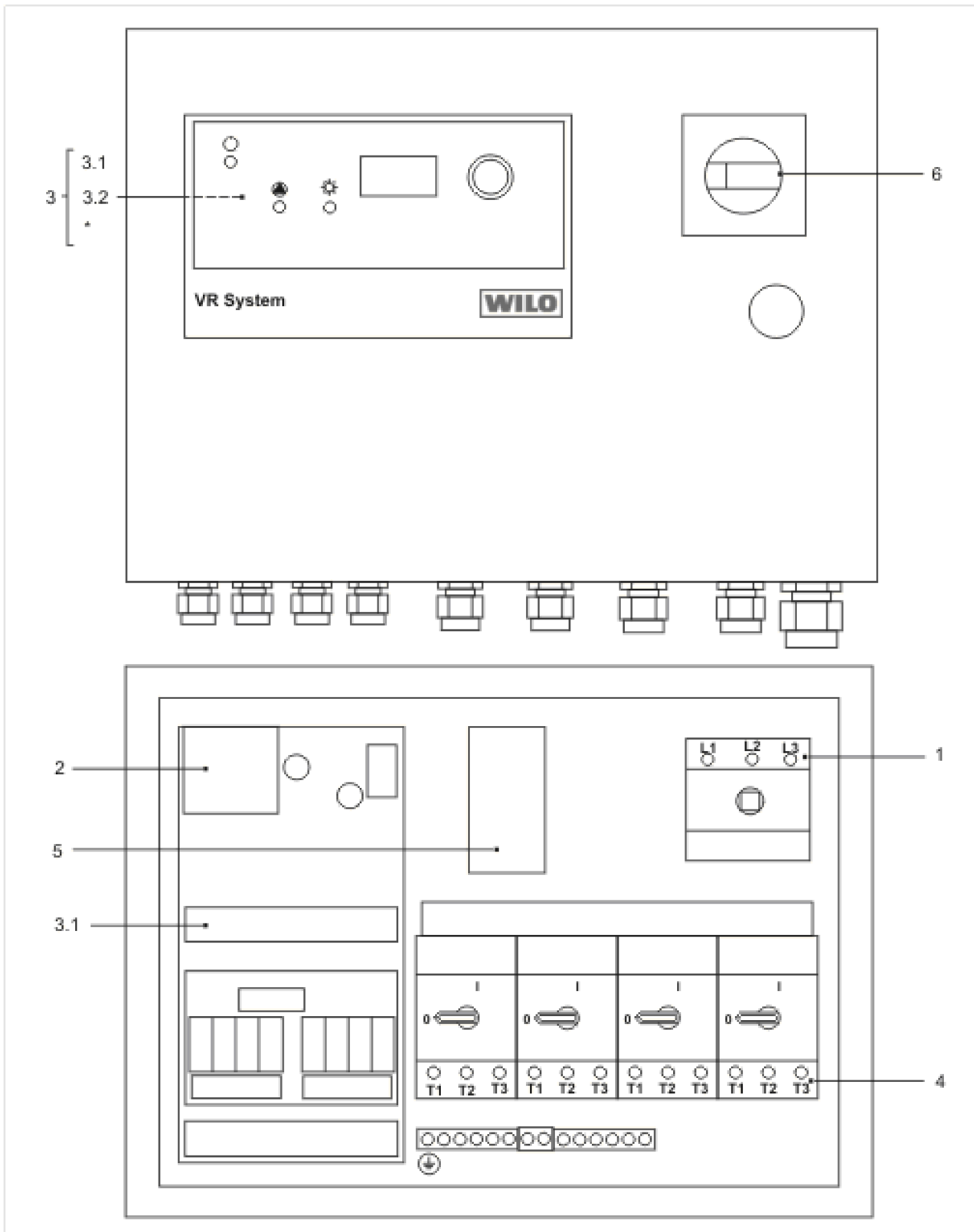
| Item | Article no. | Description | Quantity |
|--|-------------|--|----------|
| 1 | 2057982 | MVIE25-PUMP-CASING-KIT | 1 |
| 1.1 | | > PUMP HOUSING MVIE32 PN25 GJ250 | 1 |
| 1.2 | 2119912 | > GASKET D.77/127X2 DN65 C4430 VP. | 1 |
| 1.3 | 4233955 | > O-RING ID.185 EPDM VP. | 1 |
| 1.4 | 4144692 | > PRIMING/DRAIN PLUG MVI8"-304 | 1 |
| 3.2 | 4032293 | > O-RING-10x3-EPDM-KTW/WRC | 1 |
| 3.3 | 4042329 | > O-RING-D7,52xD3,52-EPDM-KTW/WRC | 1 |
| 3.3 | 4233957 | > O-RING ID.9 EPDM VP. | 1 |
| 3 | 4043157 | MECH.SEAL PN25 EPDM MVI16/32/52 KIT | 1 |
| 1.3 | 4233955 | > O-RING ID.185 EPDM VP. | 1 |
| 3.1 | | > MECHANICAL-SEAL-RMG12/22-G606-U3BEGG-BUR | 1 |
| 3.2 | 4032293 | > O-RING-10x3-EPDM-KTW/WRC | 1 |
| 3.3 | 4233957 | > O-RING ID.9 EPDM VP. | 1 |
| 3.4 | 4032291 | > O-RING 17x3 EPDM KTW/WRC | 1 |
| 4 | 4043168 | SHAFT EQUIPMENT KIT MVI32 | 1 |
| 4.1 | | > SCREW M8x16 ISO4762 8.8 ZN | 1 |
| 4.2 | | > WASHER D.10 INOX | 1 |
| 4.3 | | > STOP-RUSH 1/2 D22-MULTI-V-316 | 1 |
| 4.4 | | > STOP COLLAR OF IMPELLER L=28.8-Ø22-316L | 1 |
| 4.5 | | > WASHER-8,25x26x1,5-STEEL | 1 |
| 4.6 | | > SERRATED LOCK WASHER D10xD22-316L | 1 |
| 4.7 | | > SCREW M10X20 ISO4762 A4.70 | 1 |
| 5 | 4052341 | HOUSING PIPE D.204X204,5 1.4301 KIT | 1 |
| 5.1 | | > HOUSING-PIPE-FAB-D204-VM13004/5203-304 | 1 |
| 1.3 | 4233955 | > O-RING ID.185 EPDM VP. | 1 |
| 6 | 4052362 | MVI16/32-STUD-BOLT-KIT | 1 |
| 6.1 | | > STUD-BOLT-M16-244x24x44 CLASS8.8 ZN+FINI | 1 |
| 6.2 | 4233951 | > NUT H M VP. | 1 |
| 6.3 | 61701 | > DISC 16MOY.NOMEL | 1 |
| 7 | | MOT-VAR15-2T40P54V1-160MX2-FF300-N42-VEM | 1 |
| Note: no longer available/nicht mehr lieferbar/n'est plus disponible | | | |
| 8 | 4193324 | LANTERN-MOT.VMI16/30-FF300-D42 VP. | 1 |
| 9 | 4092425 | COUPLING GUARD FF265/300 MVI KIT | 1 |
| | | > GUARD-MESH-COUPLING-FF265-300 | 1 |

| Item | Article no. | Description | Quantity |
|------|-------------|--|----------|
| | | > CLIP COUPLING-GUARD-RF | 1 |
| 10 | 4217877 | STATIONARY RING HOLDER FOR MVI16/32 VP. | 1 |
| 11 | 4095230 | 3PH COUPLING KIT MVI D22XD42 | 1 |
| 11.1 | | > COUPLING-VMI-D22XD42-FF300-MACHINED | 1 |
| 11.2 | 121083895 | > BALL BEARING 6312/2Z-C3 (HT) VP. | 1 |
| 11.3 | 63428 | > CIRCLIP-FOR-SHAFT-D60x2 | 1 |
| 11.4 | 4094462 | > SCREWS M10 (4 PIECES) | 1 |
| 11.5 | 4032277 | > CIRCLIP-HOLE-130x4 | 1 |
| 11.6 | 4006725 | > O-RING ID.132,94x3,53 NBR70SR | 1 |
| | | > CONTACT-WASHER-10MOY-10,2x22,25x1,6-STEE | 1 |
| | | > SCREW M8x16 ISO4762 8.8 ZN | 1 |
| | | > WASHER-8,25x26x1,5-STEEL | 1 |
| 12 | 4032373 | FILLING/VENTING-PLUG-VMI8/10-316L | 1 |
| 14 | 4088323 | SHAFT Lg:295,8 MVI 3204/5203 KIT | 1 |
| | | > PUMP SHAFT-MVI-Ø22-3204/5203-316L-LEFT | 1 |
| | | > SCREW M10x25 ISO4762 A4.70 LEFT | 1 |
| 15 | 74750911106 | SCREW M16x55x35 ISO4014 6.8 ZN | 1 |
| 16 | 4233951 | NUT H M VP. | 1 |
| 19 | 4032353 | CENTERING END STAGE G/V 30M3-8"-304 | 1 |
| 20 | 4194724 | HYDRAULIC CPL.MVI3204-8" 1.4301 KIT | 1 |
| 20 | | Hydraulic cpl.(Pos.19+20)without MS. | 1 |
| 20 | | SPARE PARTS HYDRAULICS MVI/MVIE 1.4301 | 1 |
| | 75110311204 | KEY-2BT-10X8X60 | 1 |



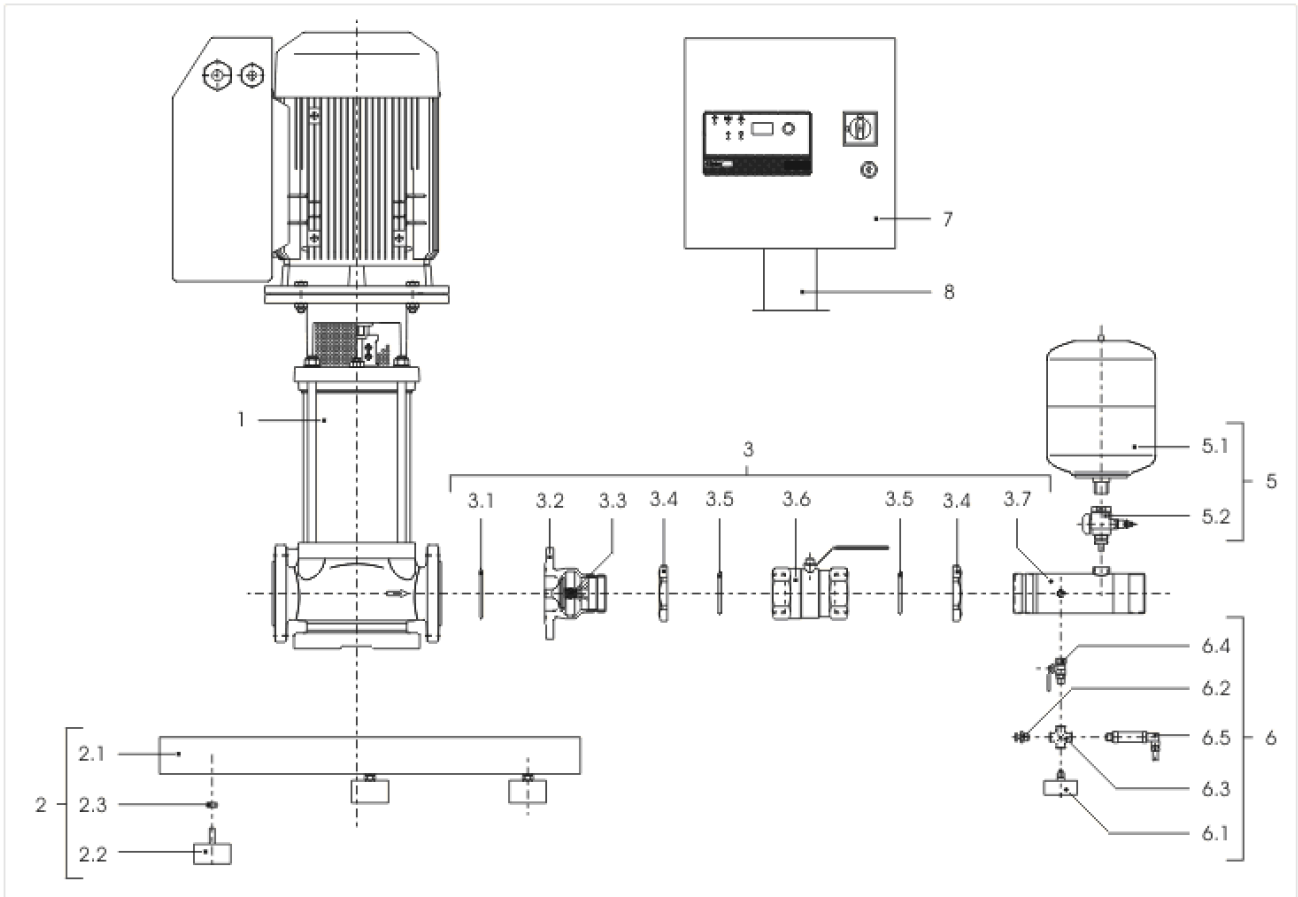
SPARE PARTS HYDRAULICS MVI/MVIE 1.4301

| Item | Article no. | Description | Quantity |
|------|-------------|-----------------------------------|----------|
| 20.1 | 4043176 | STAGE-KIT-MVI32-304 | 1 |
| | | > STAGE CASING-SS-C/R-30M3-8"-304 | 1 |
| | | > IMPELLER-MULTI-V-30M3-8"-304 | 1 |
| | | > SPACER IMPELLER-MULTI-V-30M3-8" | 1 |
| 20.2 | 4043177 | STAGE-KIT-MVI32-304 | 1 |
| | | > SLEEVE-SPACER-D22xL8,7-316L | 1 |
| | | > IMPELLER-MULTI-V-30M3-8"-304 | 1 |
| | | > STAGE CASING-AV-C/R-30M3-8"-304 | 1 |
| 20.3 | 4043174 | STAGE-KIT-MVI-32-304 | 1 |
| | | > SLEEVE-SPACER-D22xL13,8-316L | 1 |
| | | > IMPELLER-MULTI-V-30M3-8"-304 | 1 |
| | | > STAGE CASING-AV-C/R-COU-30M-8" | 1 |
| | | > SHAFT SLEEVE D22-L21-VM116/30 | 1 |
| 20.4 | 4043175 | STAGE-KIT-MVI-32-304 | 1 |
| | | > IMPELLER-MULTI-V-30M3-8"-304 | 1 |
| | | > SPACER IMPELLER-MULTI-V-30M3-8" | 1 |
| | | > STAGE CASING-AV-C/R-30M3-8"-304 | 1 |



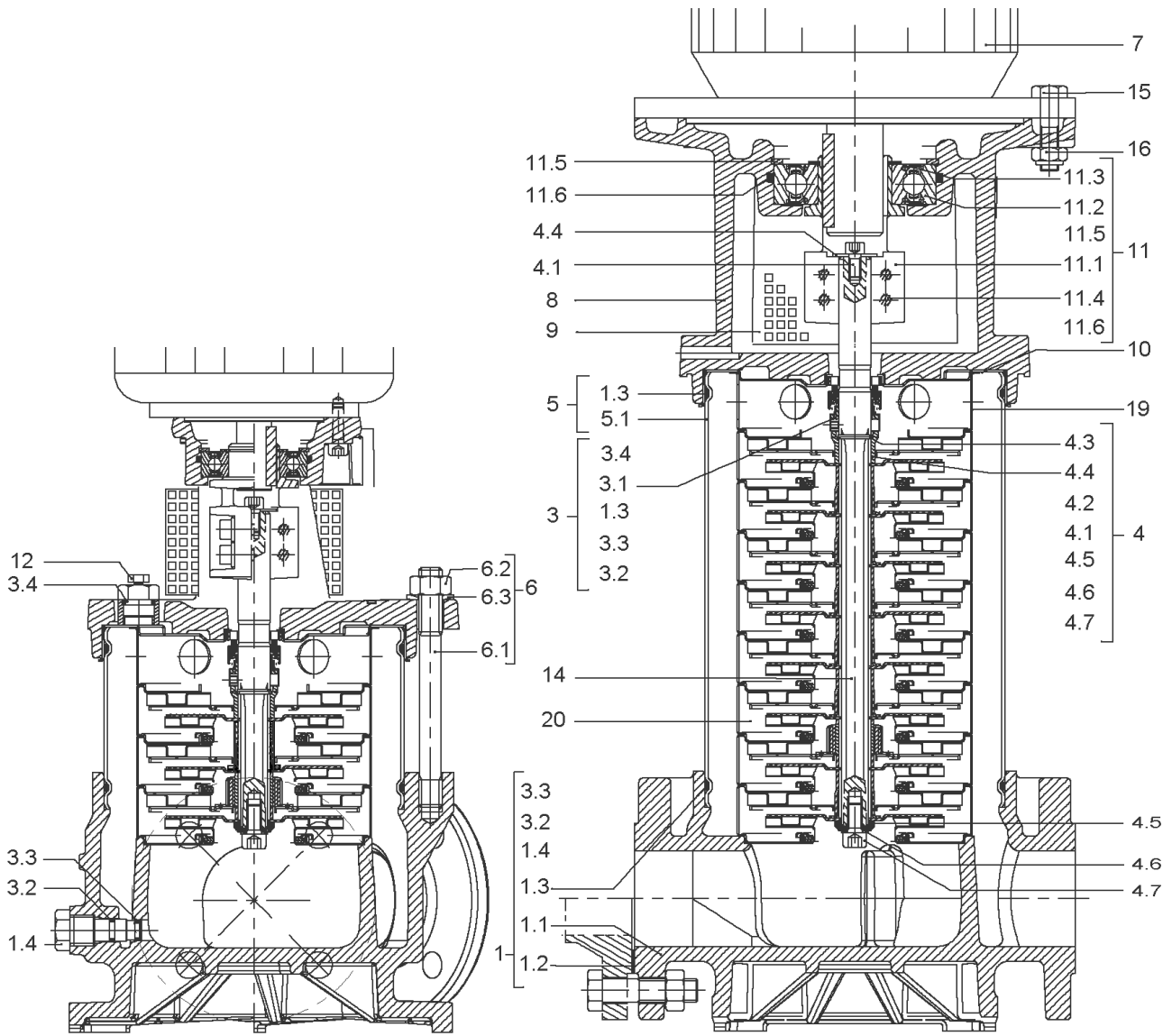
SWITCH BOX VR 15,0KW-1 WA-WILO

| Item | Article no. | Description | Quantity |
|--|-------------|--|----------|
| 1 | 2104472 | MAIN SWITCH OT63F3 L250 KIT | 1 |
| 1.1 | 2104463 | > MAIN SWITCH OT63F3 VP. | 1 |
| Note: FROM/ AB/ À PARTIR DE:15.04.2009 | | | |
| 1.2 | 2104458 | > HANDLE OHYS 2AJ1/SHAFT OXS6x250 VP. | 1 |
| Note: FROM/ AB/ À PARTIR DE:15.04.2009 | | | |
| 2 | 2046306 | BASE BOARD VR VP. | 1 |
| 3.1 | 2046307 | BOARD μ C VR TO12/2008 VP. | 1 |
| 3.2 | 2046308 | BOARD DISPLAY VR TO12/2008 VP. | 1 |
| * | 2050178 | CABLE VR-DISPLAY L=260MM TO12/2008 VP. | 1 |
| 3 | 2100519 | BOARD μ C/DISPLAY VR +CABLE 290MM KIT | 1 |
| 3.1 | 2100513 | > BOARD μ C VR FROM01/2009 VP. | 1 |
| 3.2 | 2100512 | > BOARD DISPLAY VR FROM01/2009 VP. | 1 |
| * | 2100516 | > CABLE VR μ C-DISPLAY L=290MM FROM01/2009 | 1 |
| 4 | 2050175 | MOTOR PROTECTION SWITCH MS 450-32A VP. | 1 |
| Note: TO/ BIS/ JUSQ'À :12.01.2010 | | | |
| 4 | 2051219 | AUTOM.CIRCUIT BREAKER S203 B32 FOR 15kW | 1 |
| Note: FROM/ AB/ À PARTIR DE:13.01.2010 | | | |
| 5 | 2046288 | CIRCUIT BREAKER S201 B16 | 1 |



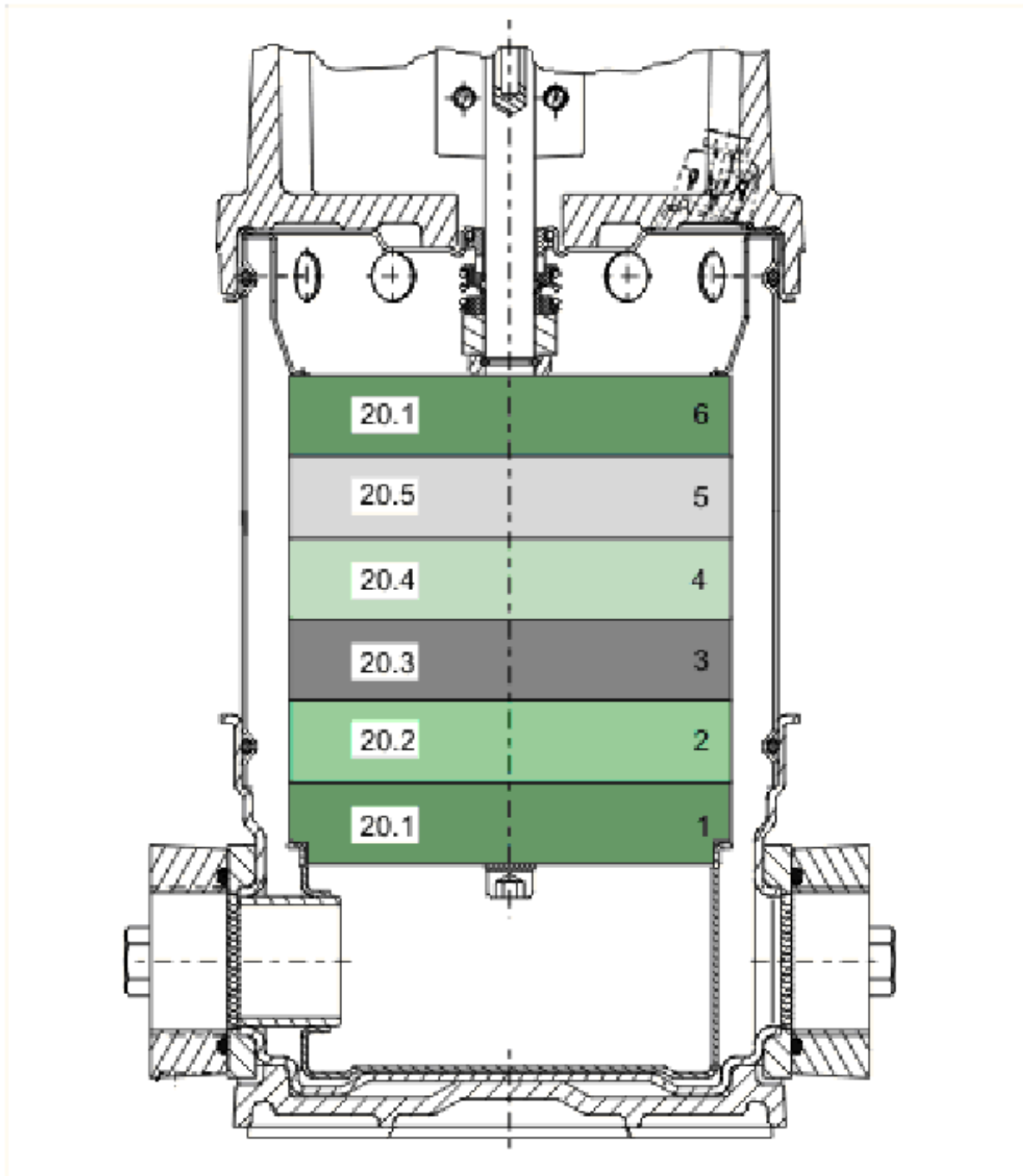
COR-1MVIE3205/VR (2521163)

| Item | Article no. | Description | Quantity |
|------|-------------|---|----------|
| 1 | | MVIE3205-3/25/E/3-2 | 1 |
| 2 | 2057452 | BASE PLATE DE1 800x800 M12 KIT | 1 |
| 2.1 | | > BASE FRAME CO(R)-1 HELIX 22/36/52 CPL. | 1 |
| 2.2 | 2027881 | > VIBRATION DAMPER M.10X20 D.70 | 1 |
| 2.3 | 2028281 | > NUT M10 DIN936 (ISO4035) 17H VZ | 1 |
| 3 | 2057891 | FITTINGS DELIVERY SIDE CO-1MVI32..KIT | 1 |
| 3.1 | 2028296 | > O-RING ID.91,44x5,33 EPDM 70SHORE | 1 |
| 3.2 | 2028294 | > HOUSING RFV.DN65-G21/2" 1.4404 | 1 |
| 3.3 | 2028295 | > ADAPTER KIT RV TYP223 DN65(21/2") | 1 |
| 3.4 | 2027123 | > NUT G2½ X15 MS | 1 |
| 3.5 | 2025969 | > O-RING ID.72,39x5,33 EPDM 70SHORE | 1 |
| 3.6 | 2106192 | > BALL TAP 21/2" I/I PN40 MS VERN.ACS VP. | 1 |
| 3.7 | 2028297 | > TAPPER NIPPLE G2½"-R2½"x250 1.4571 | 1 |
| 5 | 2166013 | Exchange tank 8L/fitting to 12/04 | 1 |
| 5 | 2032642 | DIAPHREM TANK 8L/PN16 DIN4807/T5 KIT | 1 |
| 5.1 | 2045914 | > DIAPHREM TANK 8L TYP-DD 16BAR | 1 |
| 5.2 | 2027853 | > FLOW FITTING G3/4 FOR DIAPHRAGM VES. | 1 |
| 6 | 2032643 | PRESSURE SENSOR/ GAUGE 0-16BAR | 1 |
| 6.1 | 2028692 | > PRESSURE GAUGE NG63-PN16-G1/4 | 1 |
| 6.2 | 2028691 | > BLOWGUN 1/4" MS 30BAR VP. | 1 |
| 6.3 | 2028290 | > CROSSPIECE R1/4" MS-NICKEL | 1 |
| 6.4 | 2028291 | > BALL TAP R1/4" PN42 GIACOMINI R254DL | 1 |
| 6.5 | 2085909 | > PRESS.SENSOR 1/4" 0-16BAR 4-20MA VP. | 1 |
| 7 | | SWITCH BOX VR 18,5KW-1 WA-WILO | 1 |
| 8 | 2057889 | BRACKET 1223 F.SK.VR/ER 400x400 EB VP. | 1 |



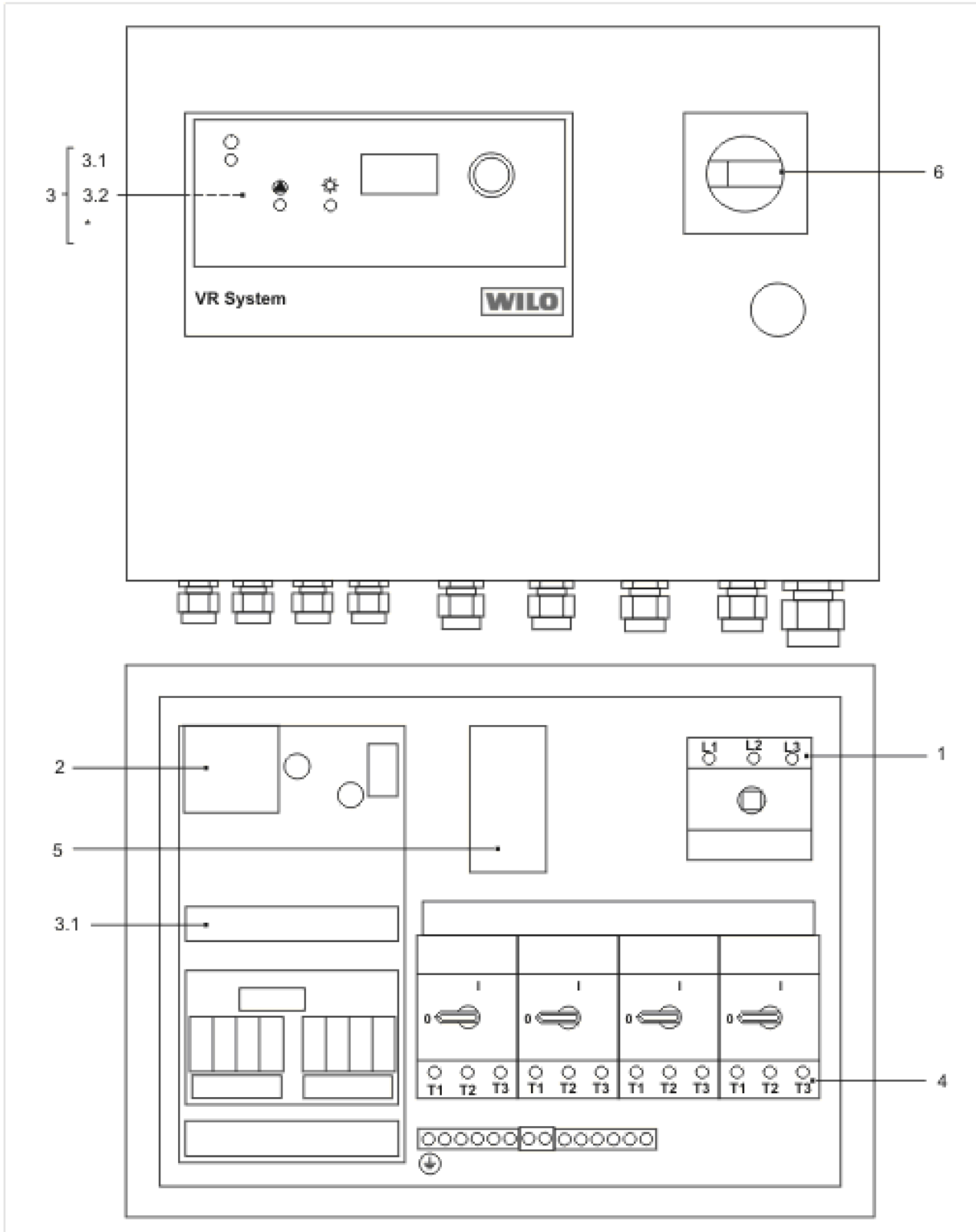
| Item | Article no. | Description | Quantity |
|--|-------------|--|----------|
| 1 | 2057982 | MVIE25-PUMP-CASING-KIT | 1 |
| 1.1 | | > PUMP HOUSING MVIE32 PN25 GJ250 | 1 |
| 1.2 | 2119912 | > GASKET D.77/127X2 DN65 C4430 VP. | 1 |
| 1.3 | 4233955 | > O-RING ID.185 EPDM VP. | 1 |
| 1.4 | 4144692 | > PRIMING/DRAIN PLUG MVI8"-304 | 1 |
| 3.2 | 4032293 | > O-RING-10x3-EPDM-KTW/WRC | 1 |
| 3.3 | 4042329 | > O-RING-D7,52xD3,52-EPDM-KTW/WRC | 1 |
| 3.3 | 4233957 | > O-RING ID.9 EPDM VP. | 1 |
| 3 | 4043157 | MECH.SEAL PN25 EPDM MVI16/32/52 KIT | 1 |
| 1.3 | 4233955 | > O-RING ID.185 EPDM VP. | 1 |
| 3.1 | | > MECHANICAL-SEAL-RMG12/22-G606-U3BEGG-BUR | 1 |
| 3.2 | 4032293 | > O-RING-10x3-EPDM-KTW/WRC | 1 |
| 3.3 | 4233957 | > O-RING ID.9 EPDM VP. | 1 |
| 3.4 | 4032291 | > O-RING 17x3 EPDM KTW/WRC | 1 |
| 4 | 4043168 | SHAFT EQUIPMENT KIT MVI32 | 1 |
| 4.1 | | > SCREW M8x16 ISO4762 8.8 ZN | 1 |
| 4.2 | | > WASHER D.10 INOX | 1 |
| 4.3 | | > STOP-RUSH 1/2 D22-MULTI-V-316 | 1 |
| 4.4 | | > STOP COLLAR OF IMPELLER L=28.8-Ø22-316L | 1 |
| 4.5 | | > WASHER-8,25x26x1,5-STEEL | 1 |
| 4.6 | | > SERRATED LOCK WASHER D10xD22-316L | 1 |
| 4.7 | | > SCREW M10X20 ISO4762 A4.70 | 1 |
| 5 | 4052343 | HOUSING PIPE D.204X296,5 1.4301 KIT | 1 |
| 5.1 | | > HOUSING-PIPE-D204-VMI1608/3006-1.4301 | 1 |
| 1.3 | 4233955 | > O-RING ID.185 EPDM VP. | 1 |
| 6 | 4052363 | MVI16/32-STUD-BOLT-KIT | 1 |
| 6.1 | | > STUD-BOLT-M16-338x24x44 CLASS8.8 ZN+FINI | 1 |
| 6.2 | 4233951 | > NUT H M VP. | 1 |
| 6.3 | 61701 | > DISC 16MOY.NOMEL | 1 |
| 7 | | MOT-VAR18,5-2T40P54V1-160L2-FF300-N42-VE | 1 |
| Note: no longer available/nicht mehr lieferbar/n'est plus disponible | | | |
| 8 | 4193324 | LANTERN-MOT.VMI16/30-FF300-D42 VP. | 1 |
| 9 | 4092425 | COUPLING GUARD FF265/300 MVI KIT | 1 |
| | | > GUARD-MESH-COUPLING-FF265-300 | 1 |

| Item | Article no. | Description | Quantity |
|------|-------------|--|----------|
| | | > CLIP COUPLING-GUARD-RF | 1 |
| 10 | 4217877 | STATIONARY RING HOLDER FOR MVI16/32 VP. | 1 |
| 11 | 4095230 | 3PH COUPLING KIT MVI D22XD42 | 1 |
| 11.1 | | > COUPLING-VMI-D22XD42-FF300-MACHINED | 1 |
| 11.2 | 121083895 | > BALL BEARING 6312/2Z-C3 (HT) VP. | 1 |
| 11.3 | 63428 | > CIRCLIP-FOR-SHAFT-D60x2 | 1 |
| 11.4 | 4094462 | > SCREWS M10 (4 PIECES) | 1 |
| 11.5 | 4032277 | > CIRCLIP-HOLE-130x4 | 1 |
| 11.6 | 4006725 | > O-RING ID.132,94x3,53 NBR70SR | 1 |
| | | > CONTACT-WASHER-10MOY-10,2x22,25x1,6-STEE | 1 |
| | | > SCREW M8x16 ISO4762 8.8 ZN | 1 |
| | | > WASHER-8,25x26x1,5-STEEL | 1 |
| 12 | 4032373 | FILLING/VENTING-PLUG-VMI8/10-316L | 1 |
| 14 | 4088317 | SHAFT L:388,5 MVI1607/1608/3205/3206 KIT | 1 |
| | | > PUMP SHAFT-VMI-D22-1608/3206-316-LEFT TA | 1 |
| | | > SCREW M10x25 ISO4762 A4.70 LEFT | 1 |
| 15 | 74750911106 | SCREW M16x55x35 ISO4014 6.8 ZN | 1 |
| 16 | 4233951 | NUT H M VP. | 1 |
| 19 | 4032353 | CENTERING END STAGE G/V 30M3-8"-304 | 1 |
| 20 | 4194725 | HYDRAULIC CPL.MVI3205-8" 1.4301 KIT | 1 |
| 20 | 4190520 | Hydraulic cpl.(Pos.19+20)without MS. | 1 |
| 20 | | SPARE PARTS HYDRAULICS MVI/MVIE 1.4301 | 1 |
| | 75110311204 | KEY-2BT-10X8X60 | 1 |



SPARE PARTS HYDRAULICS MVI/MVIE 1.4301

| Item | Article no. | Description | Quantity |
|------|-------------|------------------------------------|----------|
| 20.1 | 4043176 | STAGE-KIT-MVI32-304 | 1 |
| | | > STAGE CASING-SS-C/R-30M3-8"-304 | 1 |
| | | > IMPELLER-MULTI-V-30M3-8"-304 | 1 |
| | | > SPACER IMPELLER-MULTI-V-30M3-8" | 1 |
| 20.2 | 4043177 | STAGE-KIT-MVI32-304 | 1 |
| | | > SLEEVE-SPACER-D22xL8,7-316L | 1 |
| | | > IMPELLER-MULTI-V-30M3-8"-304 | 1 |
| | | > STAGE CASING-AV-C/R-30M3-8"-304 | 1 |
| 20.3 | 4043174 | STAGE-KIT-MVI-32-304 | 1 |
| | | > SLEEVE-SPACER-D22xL13,8-316L | 1 |
| | | > IMPELLER-MULTI-V-30M3-8"-304 | 1 |
| | | > STAGE CASING-AV-C/R-COU-30M-8" | 1 |
| | | > SHAFT SLEEVE D22-L21-VM116/30 | 1 |
| 20.4 | 4043175 | STAGE-KIT-MVI-32-304 | 1 |
| | | > IMPELLER-MULTI-V-30M3-8"-304 | 1 |
| | | > SPACER IMPELLER-MULTI-V-30M3-8" | 1 |
| | | > STAGE CASING-AV-C/R-30M3-8"-304 | 1 |
| 20.5 | 4043183 | STAGE-KIT-MVI32-304 | 1 |
| | | > SPACER IMPELLER-MULTI-V-30M3-8" | 1 |
| | | > STAGE CASING-AV-C/R-30M3-8"-304 | 1 |
| | | > BIG WASHER IMPELLER D22E2.5-316L | 1 |



SWITCH BOX VR 18,5KW-1 WA-WILO

| Item | Article no. | Description | Quantity |
|--|-------------|--|----------|
| 1 | 2104472 | MAIN SWITCH OT63F3 L250 KIT | 1 |
| 1.1 | 2104463 | > MAIN SWITCH OT63F3 VP. | 1 |
| Note: FROM/ AB/ À PARTIR DE:15.04.2009 | | | |
| 1.2 | 2104458 | > HANDLE OHYS 2AJ1/SHAFT OXS6x250 VP. | 1 |
| Note: FROM/ AB/ À PARTIR DE:15.04.2009 | | | |
| 2 | 2046306 | BASE BOARD VR VP. | 1 |
| 3.1 | 2046307 | BOARD μ C VR TO12/2008 VP. | 1 |
| 3.2 | 2046308 | BOARD DISPLAY VR TO12/2008 VP. | 1 |
| * | 2050178 | CABLE VR-DISPLAY L=260MM TO12/2008 VP. | 1 |
| 3 | 2100519 | BOARD μ C/DISPLAY VR +CABLE 290MM KIT | 1 |
| 3.1 | 2100513 | > BOARD μ C VR FROM01/2009 VP. | 1 |
| 3.2 | 2100512 | > BOARD DISPLAY VR FROM01/2009 VP. | 1 |
| * | 2100516 | > CABLE VR μ C-DISPLAY L=290MM FROM01/2009 | 1 |
| 4 | 2050176 | MOTOR PROTECTION SWITCH MS 450-40A VP. | 1 |
| Note: TO/ BIS/ JUSQ'À :12.01.2010 | | | |
| 4 | 2051220 | AUTOM.CIRCUIT BREAKER S203 B40 FOR18,5kW | 1 |
| Note: FROM/ AB/ À PARTIR DE:13.01.2010 | | | |
| 5 | 2046288 | CIRCUIT BREAKER S201 B16 | 1 |