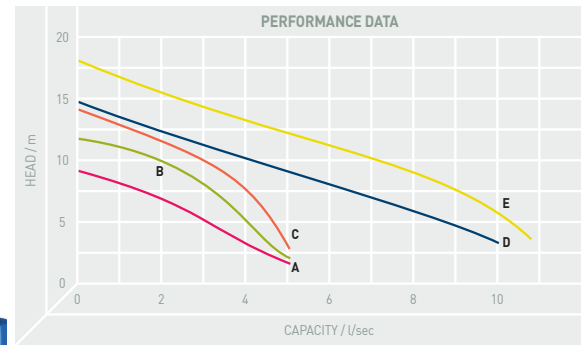


Designed for domestic and professional use, the DR Blue Pro range of submersible pumps have an open multi-channel impeller for most solid water applications.

Features:

- Cast iron construction and impeller
- Double mechanical seal within oil bath
- 15mm - 30 x 10mm solids handling
- 0.37 - 1.5kW output
- 32 - 50mm vertical discharge
- Automatic as standard, floats removed on request
- Other motors available in 110V by request
- Auto-coupling available on request



TECHNICAL SPECIFICATION

PUMP TYPE	PRODUCT CODE	CURVE	OUTLET "/mm	FREE PASSAGE mm	CABLE LENGTH m	kW	WEIGHT kg
DR BLUE PRO 50/2/G32V 230V/1Ph	PZ/1094.005	/A	1½"/32mm	15	10	0.37	12
DR BLUE PRO 50/2/G32V 400V/3Ph	PZ/1096.004	/A	1½"/32mm	15	10	0.37	12
DR BLUE PRO 75/2/G32V 110V/1Ph	PZ/1098.011	/B	1½"/32mm	15	10	0.55	13.5
DR BLUE PRO 75/2/G32V 230V/1Ph	PZ/1098.005	/B	1½"/32mm	15	10	0.55	13.5
DR BLUE PRO 75/2/G32V 400V/3Ph	PZ/1100.004	/B	1½"/32mm	15	10	0.55	13.5
DR BLUE PRO 100/2/G32V 230V/1Ph	PZ/1090.005	/C	1½"/32mm	15	10	0.74	14
DR BLUE PRO 100/2/G32V 400V/3Ph	PZ/1092.004	/C	1½"/32mm	15	10	0.74	14
DR BLUE PRO 150/2/G50V 110V/1Ph	PZ/1106.006	/D	2"/50mm	30 x 10	10	1.1	23
DR BLUE PRO 150/2/G50V 230V/1Ph	PZ/1106.005	/D	2"/50mm	30 x 10	10	1.1	23
DR BLUE PRO 150/2/G50V 400V/3Ph	PZ/1107.002	/D	2"/50mm	30 x 10	10	1.1	23
DR BLUE PRO 200/2/G50V 230V/1Ph	PZ/1108.004	/E	2"/50mm	30 x 10	10	1.5	24
DR BLUE PRO 200/2/G50V 400V/3Ph	PZ/1109.002	/E	2"/50mm	30 x 10	10	1.5	24

Max. ambient temperature	40°C
Max. density treated liquid	1100 kg/m ³
Max. immersion depth	20 m
pH treated liquid	6 ÷ 14
Max. start per hour (equally distributed)	30
Wet/dry use	WET
Max. acoustic pressure level	70dB
Operating mode	S1-Continuous use

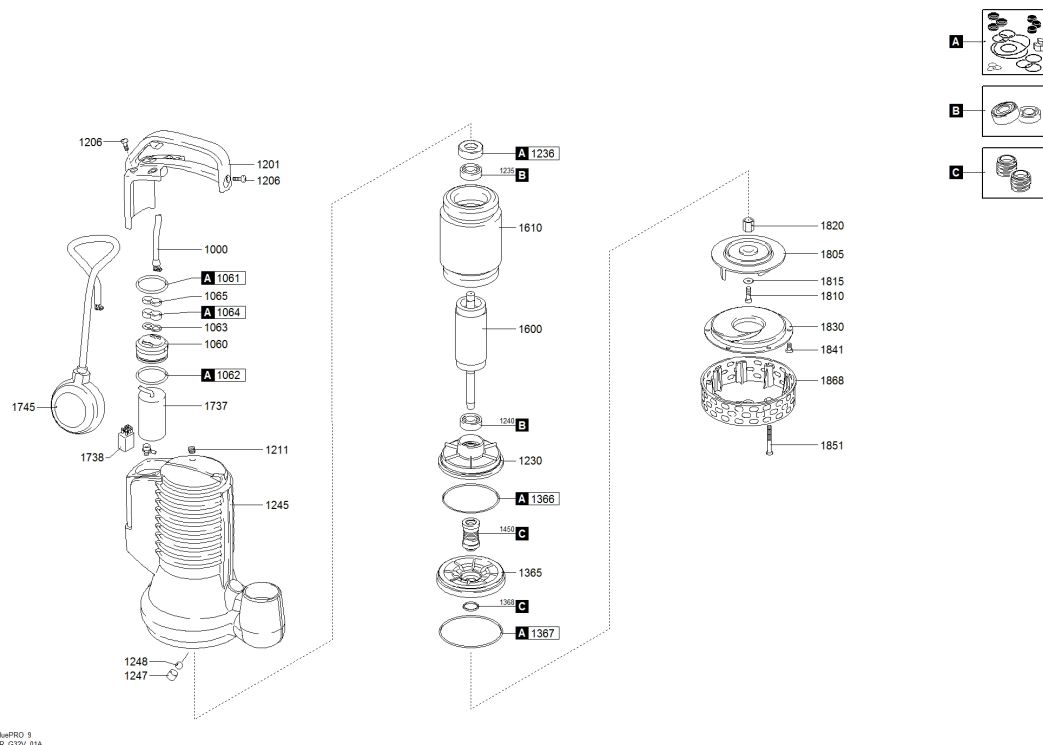
PARTS AND MATERIAL LISTS

ITEM	DESCRIPTION	QTY
A	GASKETS KIT	1
B	MECHANICAL SEALS KIT	1
C	BEARINGS KIT	1
1000	POWER CABLE	1
1060	HOLDER [CABLE GLAND]	1
1061	UPPER GASKET - HOLDER [CABLE GLAND]	1
1062	LOWER GASKET - HOLDER [CABLE GLAND]	1
1063	CABLE STOP	1
1064	RUBBER GASKET	1
1065	CABLE GLAND	1
1201	CABLE GLAND (HANDLE)	1
1206	SCREW [CABLE GLAND HANDLE >> COVER]	5
1211	CAP [TIGHTNESS TEST]	1
1230	LOWER BEARING HOLDER	1
1235	UPPER BEARING	1
1236	RUBBER PROTECTION (UPPER BEARING)	1
1240	LOWER BEARING	1
1245	MOTOR CASE	1
1295	UPPER DISTANCE RING [LOWER BEARING]	1

ITEM	DESCRIPTION	QTY
1346	WAVE SPRING	1
1365	MECHANICAL SEAL FLANGE	1
1366	GASKET [LOWER BEARING HOLDER >> MECHANICAL SEAL FLANGE]	1
1367	GASKET [MECHANICAL SEAL FLANGE >> BASE]	1
1368	V-RING [MECHANICAL SEAL FLANGE]	1
1450	MECHANICAL SEAL	1
1600	SHAFT WITH ROTOR	1
1610	WOUND STATOR	1
1737	CAPACITOR	1
1745	FLOAT SWITCH	1
1805	IMPELLER	1
1810	LOCKING IMPELLER	1
1815	LOCKING WASHER [IMPELLER]	1
1830	SUCTION FLANGE	1
1841	SCREW [BASE >> MOTOR CASE]	1
1851	SCREW [STRAINER >> SUCTION FLANGE]	3
1868	CLOSED STRAINER	1

PARTS DRAWING

1094.005 - DRBLUEP 50/2/G32V A1BM5 NGTGB51H23NR0NN



DIMENSIONAL DRAWING

