

DRENOX

DRENA-LINE CLEAN WATER

- Completely in AISI 304
- Double mechanical seal
- Low level pumping (3mm vers. 80/7)
- Moisture sealed cable inlet
- Powerful drainage pump
- Sturdy and resistant



DESCRIPTION

The DRENOX series pumps are made completely with stainless steel AISI 304. The motor is cooled by means of a heat exchange chamber that allows the machine to operate for long periods not completely submerged. Elbow fitting hose \varnothing 32 mm supplied.

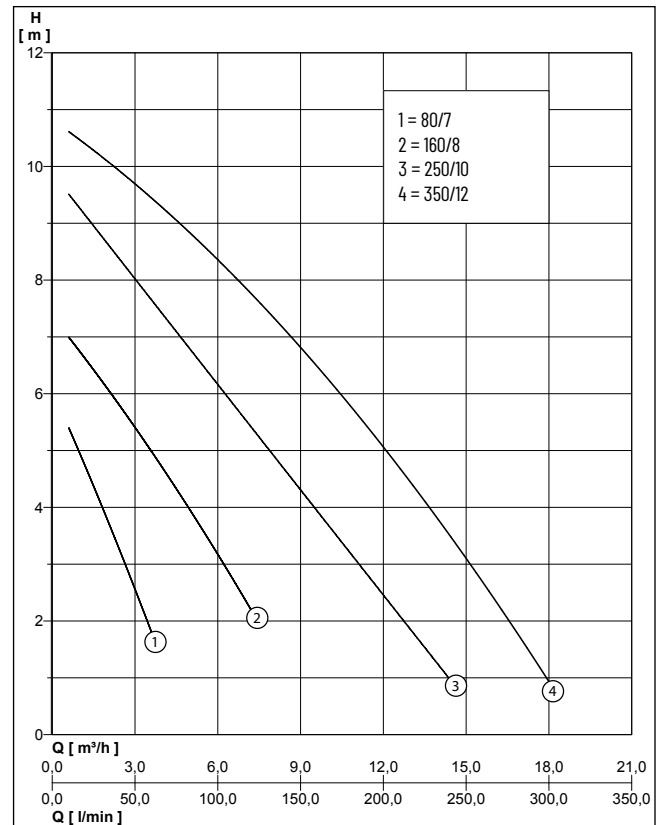
Minimum drying level 3 mm for model 80/7, 35 mm for the other models (in manual version).

Automatic version (aut) equipped with float switch.

APPLICATIONS

- Drainage of infiltrated water, lifting of rainwater from grilles or wells, emptying of rooms, tanks and light industrial applications.
- Fountains and water games.
- Irrigation

PERFORMANCE



Type	Delivery head H [m]	2	3	4	5	6	7	8	9	10
DRENOX 80/7+80/7-AUT	Flow rate Q [m³/h]	3.4	2.6	1.8	1.0	0.1				
DRENOX 160/8			6.2	4.9	3.6	2.1	0.6			
DRENOX 250/10+250/10-AUT		12.6	11.0	9.4	7.8	6.2	4.6	3.0	1.2	
DRENOX 350/12+350/12-AUT		16.5	15.0	13.6	12.0	10.4	8.6	6.5	4.5	2.3

DRENOX

DRENA-LINE - CLEAN WATER

MECHANICAL DATA

Bearing	Self-lubricating ball bearings.	Submersible	Yes
Oil chamber	Yes	Mechanical seal	Double fixed seal in rubber NBR70 with special sand guard V-ring. Lubricated in oil chamber
Shaft	Stainless steel with ceramic inserts at the points of wear of the seal	Type of liquid	clear water partially dirty, non-aggressive liquids
Impeller	Stainless steel X5CrNi18-10 (AISI 304)	Temperature of the liquid max.	40 °C
Motor housing	Stainless steel X 8 CrNi 18-10 (AISI 304)	Diving depth	7 m
Pump housing	Stainless steel X5 CrNi 1810 (AISI 304)		

ELECTRICAL DATA

Power line	10m H07RN-F	Insulation class	F
Type of enclosure	IP 68	Rotation speed	2850 rpm

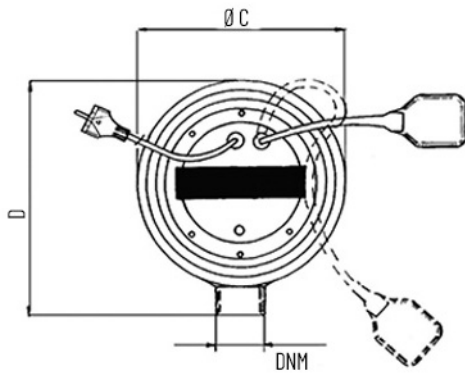
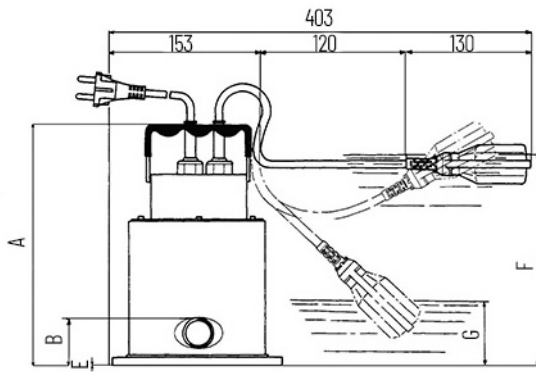
DRENOX

Type	Code No.	Voltage	Motor rating		Current	Free passage	Weight
			P1	P2			
DRENOX 80/7	N1031090	1/N/PE~230 V	0.30 kW	0.20 kW	1.3 A	3 mm	5.7 kg
DRENOX 80/7-AUT	N1031100	1/N/PE~230 V	0.30 kW	0.20 kW	1.3 A	3 mm	5.7 kg
DRENOX 160/8	N1031020	1/N/PE~230 V	0.55 kW	0.40 kW	2.4 A	6 mm	6.5 kg
DRENOX 160/8 -AUT	N1031060	1/N/PE~230 V	0.55 kW	0.40 kW	2.4 A	6 mm	6.5 kg
DRENOX 250/10	N1031030	1/N/PE~230 V	0.90 kW	0.55 kW	4.5 A	6 mm	7.0 kg
DRENOX 250/10-AUT	N1031070	1/N/PE~230 V	0.90 kW	0.55 kW	4.5 A	6 mm	7.0 kg
DRENOX 350/12	N1031040	1/N/PE~230 V	1.20 kW	0.80 kW	5.1 A	6 mm	8.5 kg
DRENOX 350/12-AUT	N1031080	1/N/PE~230 V	1.20 kW	0.80 kW	5.1 A	6 mm	8.5 kg
DRENOX 350/12 T	N1031110	3/N/PE~400 V	1.20 kW	0.80 kW	2.0 A	6 mm	8.5 kg

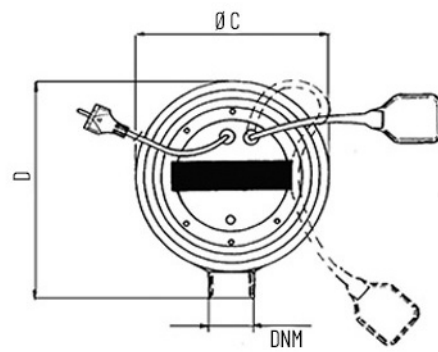
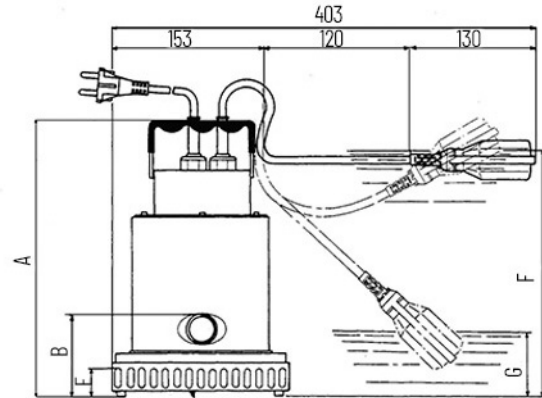
DRENOX

DRENA-LINE - CLEAN WATER

DRENOX 80/7 AUT



DRENOX 160/8 - 250/10 - 350/12 AUT



DIMENSIONS [mm]

Type	A	B	C	D	E	F	G	DNM
DRENOX 80/7	231	61	177	182	3			1 1/4"
DRENOX 80/7-AUT	231	61	177	182	3	250	100	1 1/4"
DRENOX 160/8	300	94	177	182	35			1 1/4"
DRENOX 160/8 -AUT	300	94	177	182	35	320	107	1 1/4"
DRENOX 250/10	338	94	177	182	35			1 1/4"
DRENOX 250/10-AUT	338	94	177	182	35	351	111	1 1/4"
DRENOX 350/12	338	94	177	182	35			1 1/4"
DRENOX 350/12-AUT	338	94	177	182	35	351	111	1 1/4"

DRENOX

DRENA-LINE - CLEAN WATER