

## Light Sewage Submersible Pumps - FSL Series

### SPECIFICATIONS

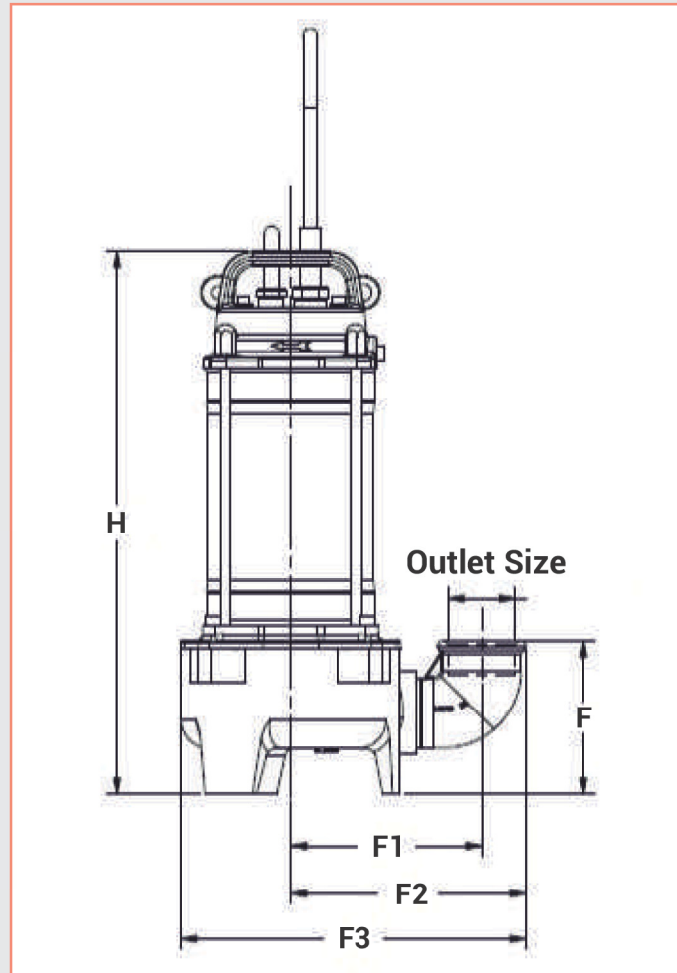
Power Range	Single Phase - 0.5 - 1.5 Kw Three Phase - 0.5 - 2.2 kW
Speed	2850 RPM
Version	Single Phase - 230V - 50Hz A.C. Supply Three Phase - 400V - 50Hz A.C. Supply
Degree of Protection	IP68
Insulation Class	H
Impeller Type	Vortex
Motor Type	Dry
Duty	S1
Direction of Rotation	Clock Wise from Top View
Max. Ambient Temp.	40°C
Delivery Size	1½" BSP 2" BSP 2½" BSP



### MATERIAL OF CONSTRUCTION

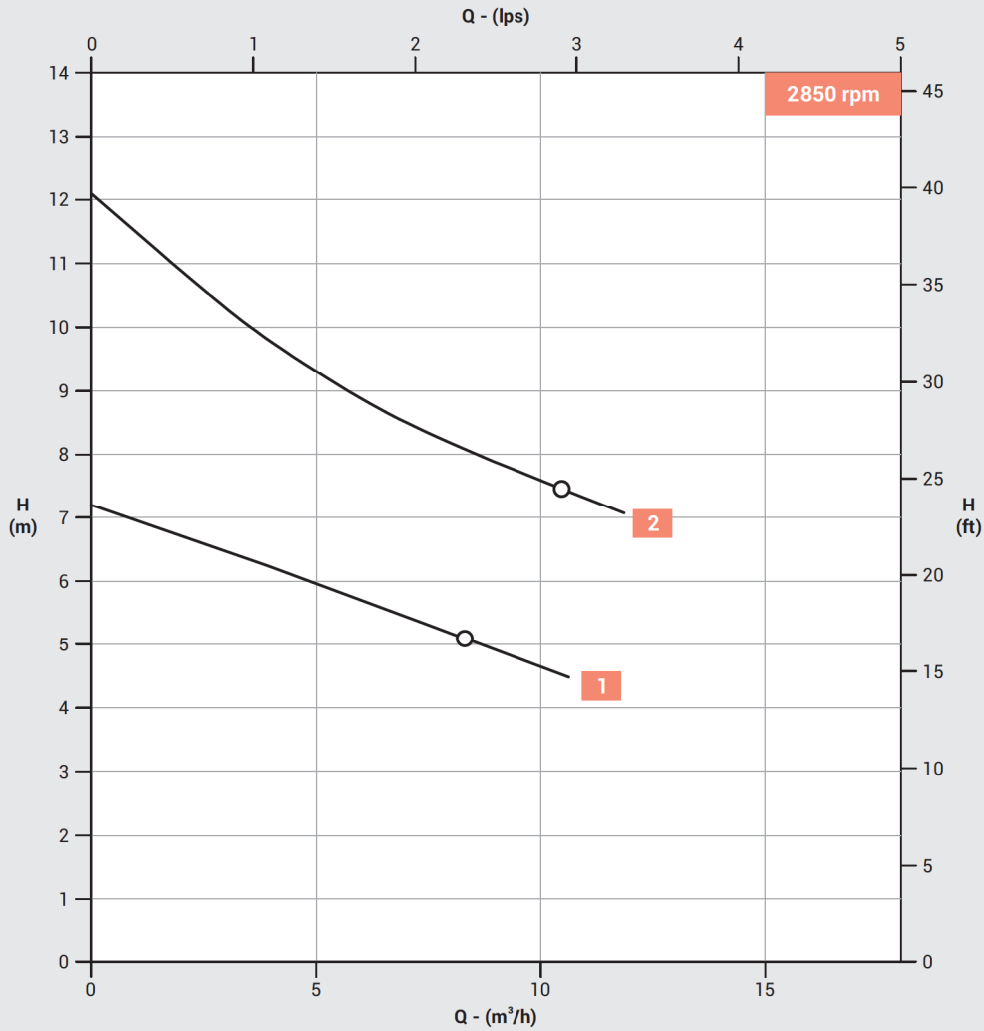
Component Name	Material / Grade
Motor Shaft	SS AISI 420
Body Tube	SS AISI 304
Motor Cover	FG 260
Bearing Flange	FG 260
Motor Flange	FG 260
Impeller	FG 260
Casing	FG 260
Grommet	Silicon Rubber
Cable Gland	Brass
Allen Bolt	SS AISI 304
Bush	Nitrile rubber
Clamp	SS AISI 304
Oil Seal	Nitrile Rubber
Mechanical Seal	C/CERAMIC//NBR/SiC/SiC/SUS304
O Ring	Nitrile Rubber
Tie Rod	SS AISI 304
Doom Nut	SS AISI 304

## DIMENSIONAL DETAILS



Model	Height (mm)	Outlet Size (inch)	F	F1	F2	F3	F4	F5	F6	kg
FSL-2V-05CS-A	365	1 ½"	103	129	159	233	148	74	51	14,7
FSL-2V-05CT	365	1 ½"	103	129	159	233	148	74	51	14,5
FSL-2V-07CS-A	365	1 ½"	103	129	159	233	148	74	51	14,9
FSL-2V-07CT	365	1 ½"	103	129	159	233	148	74	51	14,7
FSL-2V-07DS-A	410	2	153	150	186	288	205	103		20,5
FSL-2V-07DT	410	2	153	150	186	288	205	103		20,3
FSL-2V-11DS-A	445	2	153	150	186	288	205	103		25,6
FSL-2V-11DT	425	2	153	150	186	288	205	103		23,5
FSL-2V-11ES-A	470	2 ½"	175	160	206	303	194	97		25,7
FSL-2V-11ET	450	2 ½"	175	160	206	303	194	97		23,6
FSL-2V-15DS-A	446	2	153	150	186	288	205	103		23,1
FSL-2V-15DT	446	2	153	150	186	288	205	103		22,9
FSL-2V-22DT	445	2	153	150	186	288	205	103		25,7
FSL-2V-22ET	470	2 ½"	175	160	206	303	194	97		26,7

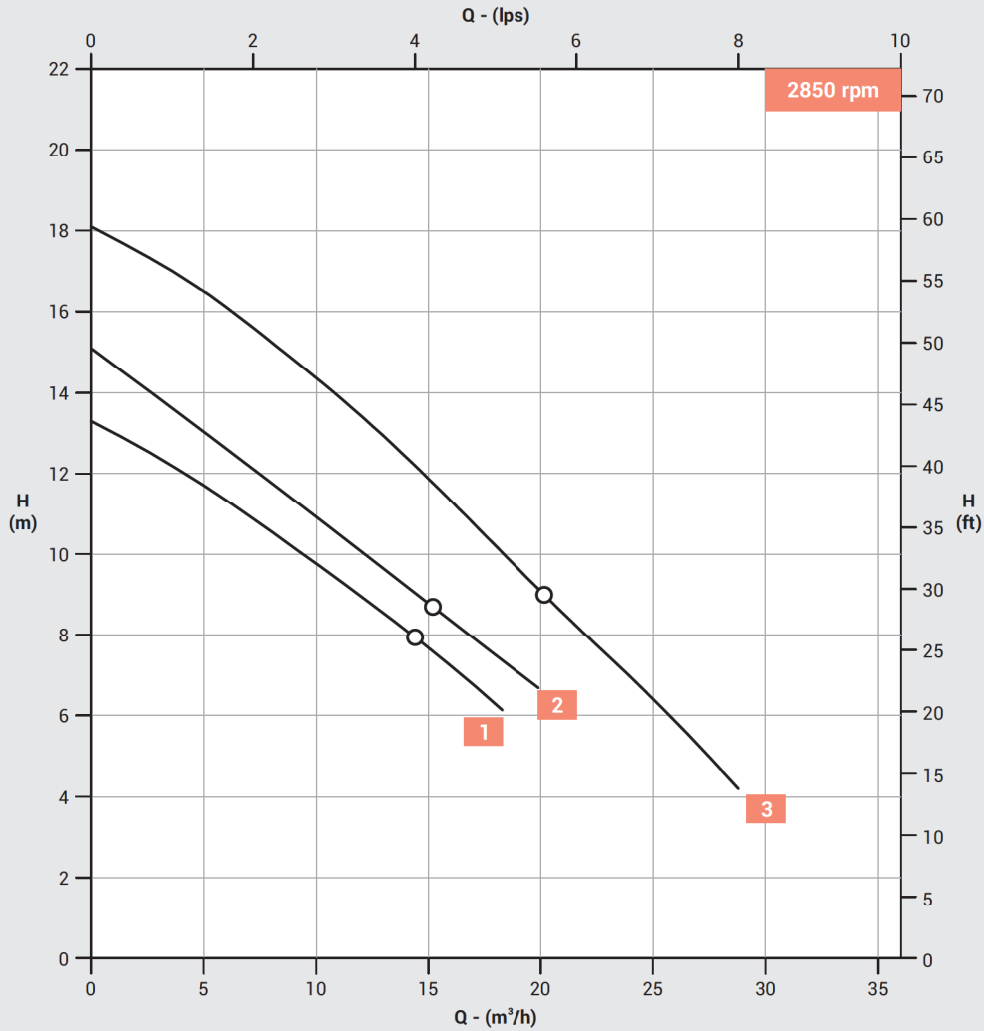
## PERFORMANCE CURVES



## PERFORMANCE TABLE

No.	Model	Power in kW (P2)	Volt	Supply	Amp	Giri rpm	Delivery Size in mm	l/Sec m³/h	0	1	2	3	4	5	6
									0	3,6	7,2	10,8	14,4	18	21,6
1	FSL-2V-05CS-A	0.55	230	1Ph	3	2850	40	Head in meters	7.2	6.3	5.3	4.4			
1	FSL-2V-05CT	0.55	400	3Ph	2	2850			7.2	6.3	5.3	4.4			
2	FSL-2V-07CS-A	0.75	230	1Ph	4.8	2850			12.1	9.9	8.4	7.3			
2	FSL-2V-07CT	0.75	400	3Ph	1.5	2850			12.1	9.9	8.4	7.3			

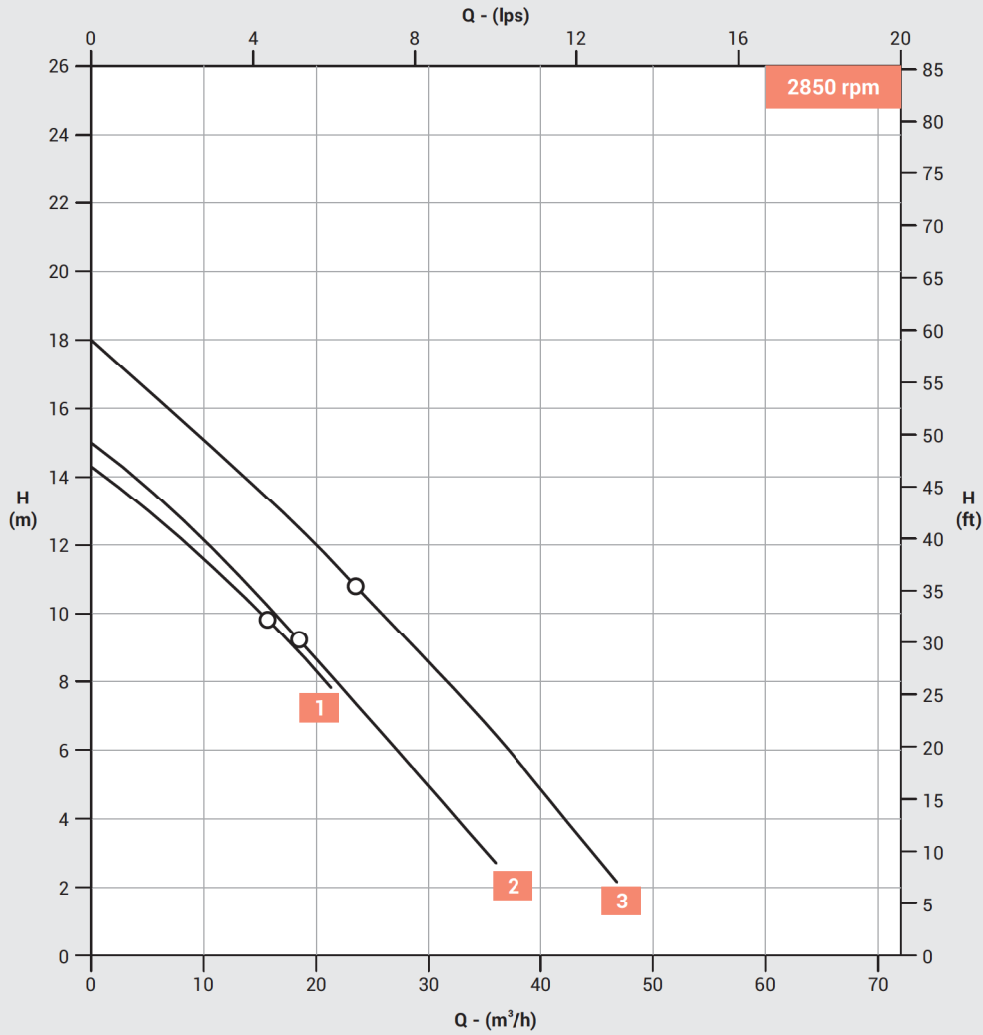
## PERFORMANCE CURVES



## PERFORMANCE TABLE

No.	Model	Power in kW (P2)	Volt	Supply	Amp	Giri rpm	Delivery Size in mm	l/Sec m³/h	0	1	2	3	4	5	6	7	8	9
									0	3,6	7,2	10,8	14,4	18	21,6	25,2	28,8	32,4
1	FSL-2V-07DS-A	0.75	230	1Ph	4.6	2850	50	Head in meters	13.3	12.2	10.8	9.3	7.9	6.2				
1	FSL-2V-07DT	0.75	400	3Ph	2.1	2850			13.3	12.2	10.8	9.3	7.9	6.2				
2	FSL-2V-15DS-A	1.5	230	1Ph	7.1	2850			15.1	13.6	12.1	10.5	9	7.4	6			
3	FSL-2V-15DT	1.5	400	3Ph	3.1	2850			18.1	17	15.6	14	12	10.2	8.2	6.3	4.5	

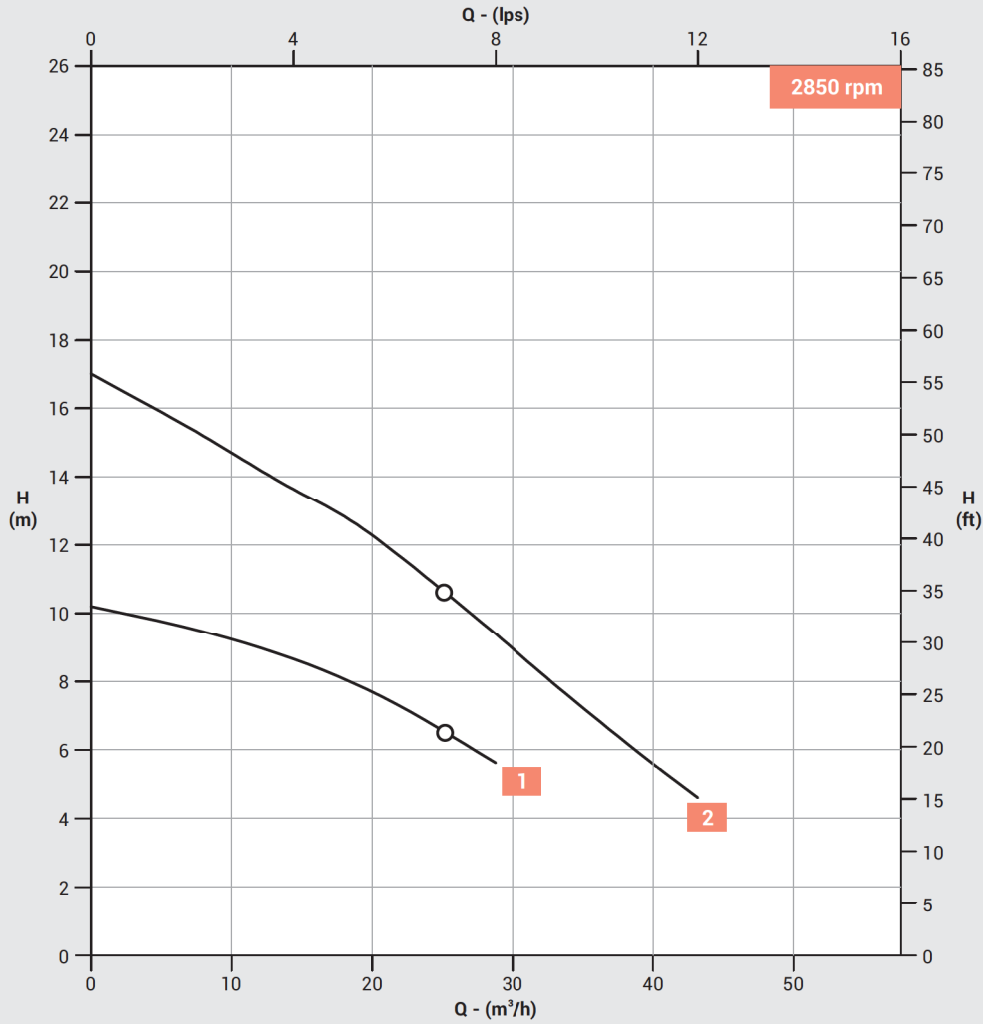
## PERFORMANCE CURVES



## PERFORMANCE TABLE

No.	Model	Power in kW (P2)	Volt	Supply	Amp	Giri rpm	Delivery Size in mm	l/Sec m³/h	0	2	4	6	8	10	12	14	16	
									0	7,2	14,4	21,6	28,8	36	43,2	50,4	57,6	
1	FSL-2V-11DS-A	1.1	230	1Ph	7.5	2850	50	Head in meters	14.2	13.4	10.2	7.6						
2	FSL-2V-11DT	1.1	400	3Ph	3	2850			14.5	13	10.6	8.1	5.5	3				
3	FSL-2V-22DT	2.2	400	3Ph	4.4	2850			18	16	13.8	11.5	9	6.5	3.5			

## PERFORMANCE CURVES



## PERFORMANCE TABLE

No.	Model	Power in kW (P2)	Volt	Supply	Amp	Giri rpm	Delivery Size in mm	l/Sec m³/h	0	2	4	6	8	10	12	14	16	18	20	
									0	7,2	14,4	21,6	28,8	36	43,2	50,4	57,6	64,8	72	
1	FSL-2V-11ES-A	1.1	230	1Ph	7.6	2850	65	Head in meters	10.2	9.5	8.6	7.3	5.6							
2	FSL-2V-11ET	1.1	400	3Ph	3	2850			10.2	9.5	8.6	7.3	5.6							
2	FSL-2V-22ET	2.2	400	3Ph	4.4	2850			17	15.4	13.6	11.8	9.4	6.9	4.6					