

Wear resistant submersible drainage pumps for clear water and domestic waste water.

H 16

Application

Pump for pumping clean or soiled water, also containing abrasive sand or sludge. Application areas include water table drawdown, drainage of construction sites, underpasses or shafts, domestic water supply, use on ships, emergency deployment for floods, etc.

DIN EN 12050-2: Conformity and type-tested and monitored by the LGA.

Installation: Stationary or mobile. Version with float switch for use as automatic water level controlled drainage pump.

Conveying medium: Clear water or domestic waste water with abrasive components (e.g. sand). Max temperature of pumped medium: 40 °C, for brief periods up to 60 °C.

Operating mode: Continuous operation (S1), at medium temperature 41 - 60°C: Intermittent operation (S3 30%).

Construction

Fully submersible pump, consisting of:

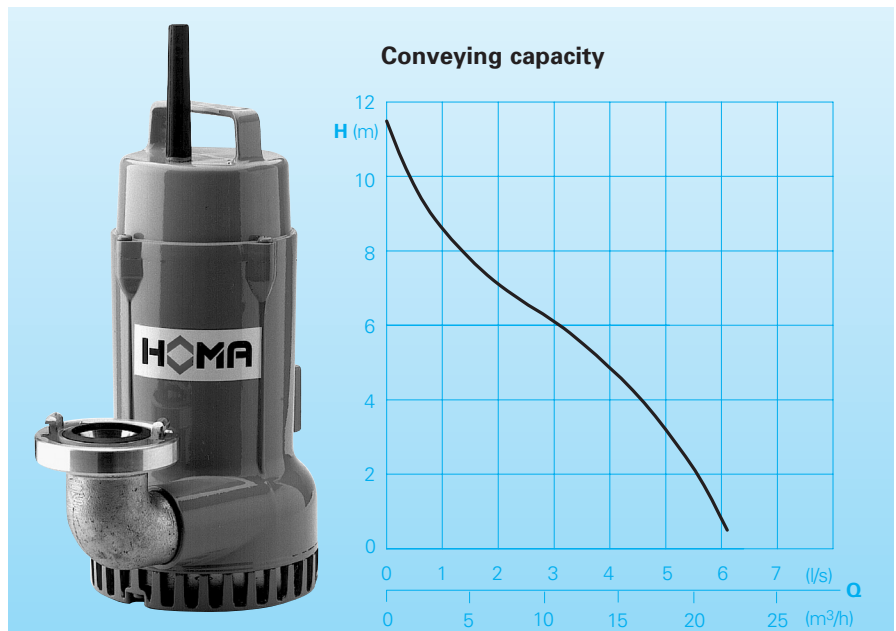
Pump: Single stage centrifugal pump with horizontal pressure connection.

Impeller: Open multi-channel impeller, spherical clearance 10 mm.

Motor: Fully immersible motor, sealed against pressurised water, oil-filled. Insulation class H, protection rating IP 68. Thermostat sensor for temperature monitoring in the winding. Electrical compartment is separate from motor. Connecting cable: H07RN-F3G1

Shaft/Bearing: Generously-proportioned chromium steel motor shaft, permanently-lubricated roller bearing.

Seal: Triple radial seal.



Technical Data

Pump type	Motor power		Voltage 50 Hz (V)	Nominal current (A)	Weight (kg)
	P ₁ (kW)	P ₂ (kW)			
H16 W (A)	1,1	0,6	230/1Ph	5,1	11,0

Speed: 2900 rpm

Type A: With automatic float switch HOMA-Nivomatik.

Materials

Motor housing, motor bearing housing, motor housing cover, strainer,	Aluminium
Suction cover	Aluminium rubber coated
Impeller	Cast iron EN-GJL-250
Motor shaft, screws	Stainless steel
Elastomers	NBR

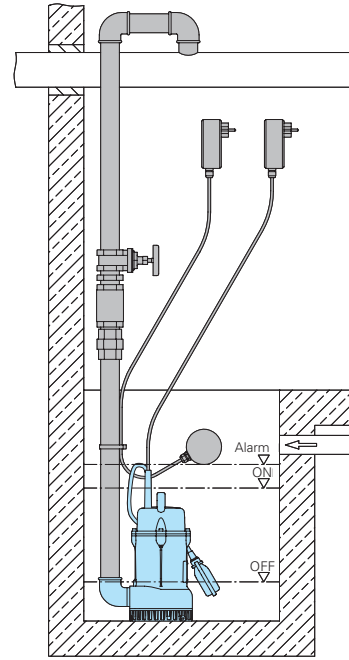
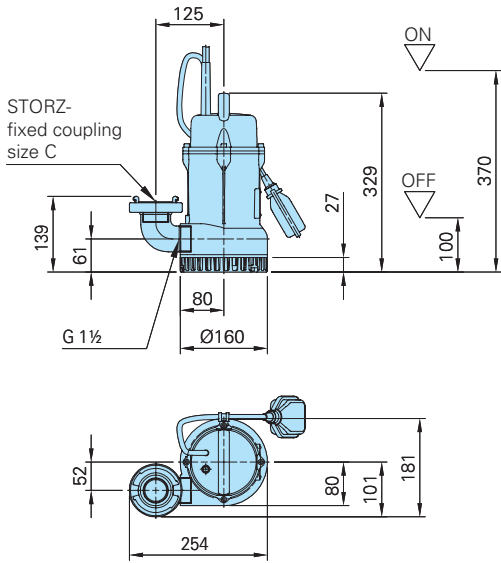
Scope of Supply

Pump with 90° connecting elbow and STORZ size C fixed coupling, 10 m connecting cable.

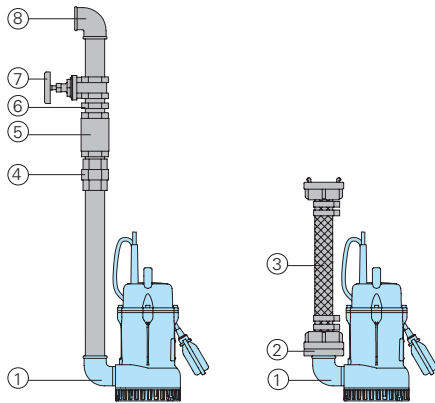
Type W (230 V/1 Ph): Control unit W1 with motor protection, ON/OFF switch and mains plug.

Type A: Additionally with automatic float switch on pump lid, control unit WA1 with Manual/Auto switch.

Installation in shafts with pressure pipe, level control and control unit



Accessories



Description	Size	Part No.	Description	Size	Part No.
① Connection angle 90°, galvanised	BSP 1 1/2" F/M	2111505	○ Residual current device, 2-pin, Fi 16/0.03 A		1561160
② Fixed coupling, brass	BSP 1 1/2" M	2005513	○ Mains-dependent alarm control unit AL3 with connector for 9 V rechargeable battery (see below) for operation independent of mains power supply, with built-in signal transmitter for 230 V, 1-phase mains connection		1586140
STA-hose screw connection, brass	BSP 1 1/2" M	2001513	9V battery for mains-independent alarm		1952215
STORZ-fixed coupling	C-BSP 1 1/2" M	2010003	○ Float valve switch MB, mercury-free, MIN or MAX function, with integrated counterweight		
③ PVC hose, per m	1 1/2" Ø 38 mm	2621500	Cable length	6 m	1465706
Plastic spiral hose, per m	1 1/2" Ø 38 mm	2632042		10 m	1465710
Hose coupling, brass	1 1/2"	2003513	○ Pump control systems and switching gear for mobile and permanent usage, level recording and monitoring devices	See HOMA accessories	
STORZ-hose coupling	C-38 Ø	2013002			
Hose clip	1 1/2"	2304854			
④ Transitional screw mounting, galvanised	BSP 1 1/2" M/F	2114305			
⑤ Non-return valve, brass	BSP 1 1/2" F	2211313			
⑥ Double nipple, galvanised	BSP 1 1/2" M	2009020			
⑦ Gate valve, brass	BSP 1 1/2" F	2216015			
⑧ Connection angle 90°, galvanised	BSP 1 1/2" F	2113605			
T-piece for merging the pressure pipe in dual systems, galvanised	BSP 1 1/2" F	2114302			



HOMA Pumpenfabrik GmbH
 P.O.Box 22 63, D-53814 Neunk.-Seelscheid
 Tel. +49 (0) 22 47/702-0, Fax +49 (0) 22 47/702-44
 e-mail: info@homa-pumpen.de
 www.homapumps.com