

Lifting Station Type ABS Sanimax



SULZER



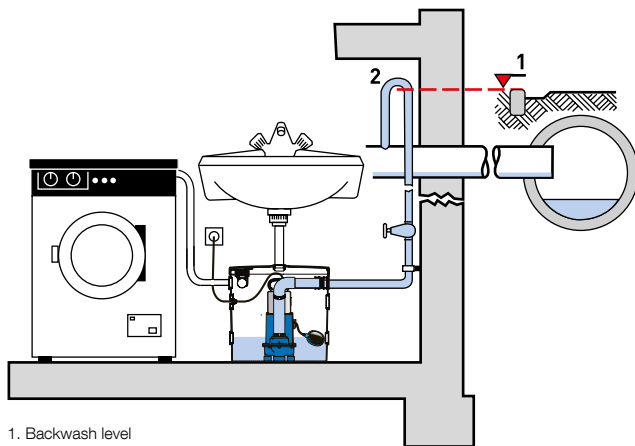
Complete wastewater pumping unit for installation at floor level and fitted with a submersible pump from the Robusta or MF ranges. Suitable for the removal of liquids containing solid particles up to 30 mm from wash-hand basins, domestic washing machines, or showers, from areas below the sewer level in accordance with EN 12050-2.

Features

- Ready-for-use, plug-in unit with Schuko plug.
- Compact triangular design optimises space beneath a hand-wash basin.
- Can be fitted with Robusta 202 TS or MF 154 & 324 pumps, complete with non-return valve and level control. A separate check valve should be used at heads over 5 m.
- Solids handling up to 10 mm for Robusta, 20 mm for MF 154, and 30 mm for MF 324.
- Seven ports (5 x 40 mm, 2 x 50 mm), ready-prepared with seals, which can be used for inflow, discharge, power cable, or flexible hose connection to a washing machine (¾" adaptor supplied).
- Odour-tight lid with odour lock and venting, including charcoal odour filter and overflow protection.
- Alarm float switch available as accessory.
- Sanimax R 202C for aggressive liquids. It is the duty of the user to check the suitability of the materials for the particular application.

Installation

Attention to the backwash level is of vital importance for effective dewatering. All outflow points located below the backwash level must be protected against back flow according to standard EN 12056.



1. Backwash level
2. Backwash loop with base above the backwash level.



Tank

Synthetic, corrosion-resistant, gas- and odour-tight tank, in accordance with EN 12050-2. Supplied as standard with pump, automatic level control and non-return valve.

Maximum allowable temperature of medium 40 °C; short term to 60 °C (max. 5 minutes).

Capacity: 28 litres

Motor

Water pressure sealed, squirrel cage 2-pole induction motor, with double shaft seals and oil chamber (MF version). Electronic monitoring of stator temperature and overcurrent.

Insulation: Class B (130 °C) for Robusta

Class F (155 °C) for MF

Protection type: IP68

Materials

	Description	Material
Robusta 202 / 202C	Tank	Polypropylene
	Pump housing	Polypropylene
	Motor housing	Stainless steel 1.4301 / 1.4401
	Rotor shaft	Stainless steel 1.4057 / 1.4401
	Impeller	Polyamide
MF-154 & 324	Seals	Neoprene / Viton
	Upper lid	Stainless steel 1.4301
	Motor housing	Cast iron EN-GJL-250
	Rotor shaft	Stainless steel 1.4021
	Impeller	Polyamide
	Volute	Cast iron EN-GJL-250
	Seals	Neoprene
Fasteners	Stainless steel 1.4401	

Technical Data

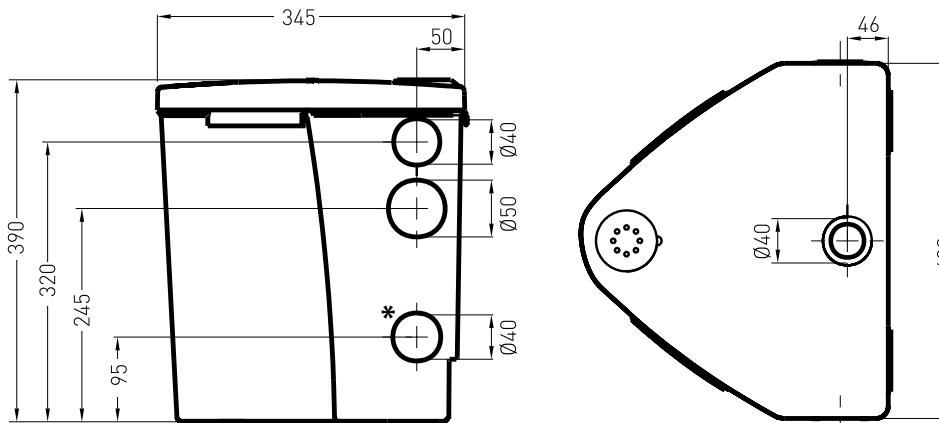
Sanimax	R 202 / 202C	MF 154	MF 324
Motor power [kW] *	P ₁ = 0.36, P ₂ = 0.16	P ₁ = 0.65, P ₂ = 0.42	P ₁ = 0.83, P ₂ = 0.54
Speed [r/min]	2900	2900	2900
Rated voltage [V]	220-240 1~	220-240 1~	220-240 1~
Rated current [A]	1.6	2.83	3.61
Cable length [m] **	3	3	3
Weight [kg]	6.75	13.5	13.5

* P₁ = Power taken from mains. P₂ = Power at motor shaft. ** Cable type HO7RN-F

Switching and Volume Levels

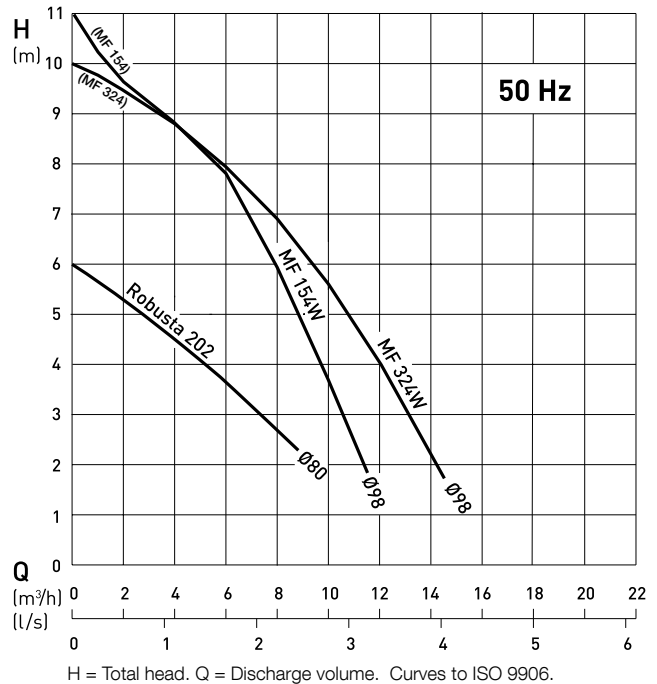
	Robusta	MF
ON [mm]	85	230
OFF [mm]	55	80
Pumped volume [L]	1.8	11.2
Residual volume [L]	3.9	4.5

Dimensions (mm)



* For Sanimax MF we recommend that the lower ports should not be used because the switch-on level is higher than the inflow level.

Performance Curves



Accessories

Description	Size	Part no.
Plug-In Alarm Kits Acoustic alarm with signalling unit for connection to 230 V (Schuko) socket. Acoustic alarm signal, potential-free NO (Normally Opened) contact (I max 12 A / V max 250 V). Optional rechargeable accumulators for mains-independent alarm signal. With NSM05 "broken finger" With humidistat		16025003 16025004
WM-Stop Alarm Kits Acoustic alarm with signalling unit for plugging in to a 230 V Schuko socket, with integral 230 V Schuko socket into which the washing machine is plugged (I max 16 A). Optional rechargeable accumulators for mains-independent alarm signal. With NSM05 "broken finger" With humidistat		16025005 16025006
NC-AKKU 9 V rechargeable battery for mains-independent alarm.		12820018
Non-Return Valves cast iron ball valve with internal thread connection	G 1¼" G 1½"	61400525 61400526
synthetic flap valve with internal thread connection	G 1¼" G 1½" & G 2"	61405030 61405032