

# Flygt 2201.011

DEWATERING PUMP

50 Hz

## Tough pumps for dewatering

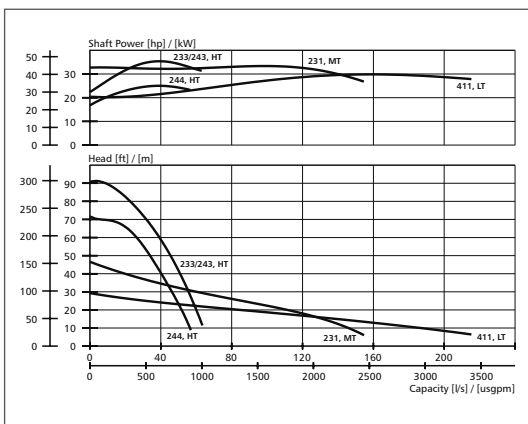
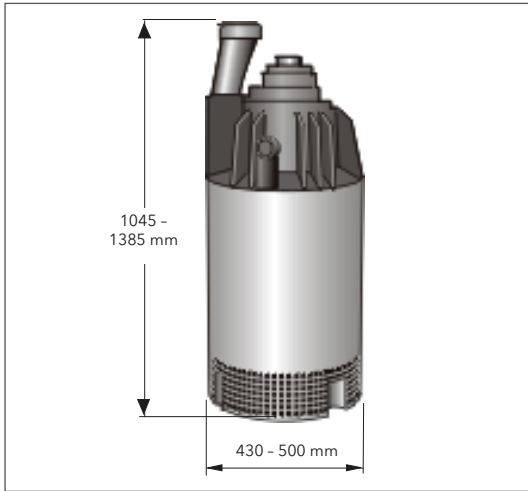
The Flygt dewatering pumps from Xylem are designed for tough operating conditions. The pumps are ideal for applications in which the water or liquid contains high amounts of clay, stone chips, drilling fines etc, or to pump heavy sediment from tanks, sumps and containers.

These portable and robust aluminium pumps are found in operation in all types of dewatering applications.

Our dewatering pumps are backed by an outstanding support and world-wide presence. Operating in over 150 countries, we bring many years of experience to bear in order to keep your business moving.



**FLYGT**  
a xylem brand



* LT 3~ Voltage (V)	Rated current (A)	Starting current (A)
200	123	1040
220	108	895
230	98	745
380	62	515
400	55	395
415	54	415
500	45	335

** MT, HT 3~ Voltage (V)	Rated current (A)	Starting current (A)
220	117	700
230	112	740
380	67	405
400	66	465
415	62	350
500	51	271
550	47	305

## Flygt 2201.011

Submersible pump for dewatering construction sites, draining water in flooded areas, handling water in mines or on oil platforms and other similar applications. The pump can handle water containing relatively abrasive solids.

### Denomination

Product code	2201.011
Installation	S
Impeller characteristics	LT, MT, HT
Discharge connection	4", 6", 8"

### Process data

Liquid temperature	max +40° C
Depth of immersion	max 20 m
The pH of the pumped liquid	pH 5 - 8
Liquid density	max 1100 kg/m <sup>3</sup>
Strainer hole size	LT, MT (15 mm x 45 mm) HT (10 mm x 10 mm)

### Motor data

Squirrel cage 3-phase induction motor.	
Frequency	50 Hz
Insulation class	H (+180° C)
Voltage variation	
- continuously running	max ± 5%
- intermittent running	max ± 10%
Voltage imbalance between phases	max 2%
No. of starts/hour	max 15

### Monitoring equipment

Thermal contacts	
------------------	--

### Cable

Direct-on-line start	SUBCAB®
----------------------	---------

### Material

Outer casing	Galvanized steel
Impeller	Alloyed white iron
Wear parts	Nitrile rubber
Stator housing	Aluminium
Strainer	Galvanized steel
Shaft	Stainless steel
O-rings	Nitrile rubber

### Mechanical face seals

Inner	Corrosion resistant cemented carbide
Outer	Corrosion resistant cemented carbide

### Weight

Total (excl. cable)	280 kg
---------------------	--------

### Options

Polyurethane-lined wear parts	POLY-LIFE®
Impeller (HT)	Stainless steel
Discharge connector with coupling 6"	
Various cable sizes	
Various cable sizes	
Tandem connection	

### Accessories

Adapters, hose connections and other mechanical accessories. Electrical accessories such as pump controller, control panels, starters, monitoring relays, cables.

Rating	* LT 3~	** MT, HT 3~
Rated output	30 kW	37 kW
Speed of rotation	1465 rpm	2920 rpm



www.flygt.com  
www.xyleminc.com