

## Self priming centrifugal pumps for house and garden.

### GPE

#### Application

HOMA self priming centrifugal pumps are the ideal solution for many applications in house and garden. Breaching lawns, filling or emptying basins or containers, pumping out in case of minor flooding of rooms. Also suitable for increased pressure with an inlet pressure of up to 1 bar.

The pumps are self-priming. A 22 mm - 30 mm Ø suction line to the water station (well, tank, water, etc.) is enough. High performance, silent operation and low weight easy handling are the main advantages of these units. By installation of the automatic pump control HPS 2 (see HOMA accessory program) on the discharge of the electric motor driven pumps, the pumps are able to operate as fully automatic pressure booster units.

**Pumped liquid:** Clear water or water containing non abrasive solids. Max. liquid temperature: 35°C.

**Operation:** Permanent (S1).

#### Design

Self priming centrifugal pumps with electric motor.

**Motor:** Single phase electric motor, insulation class F, motor protection IP 44.

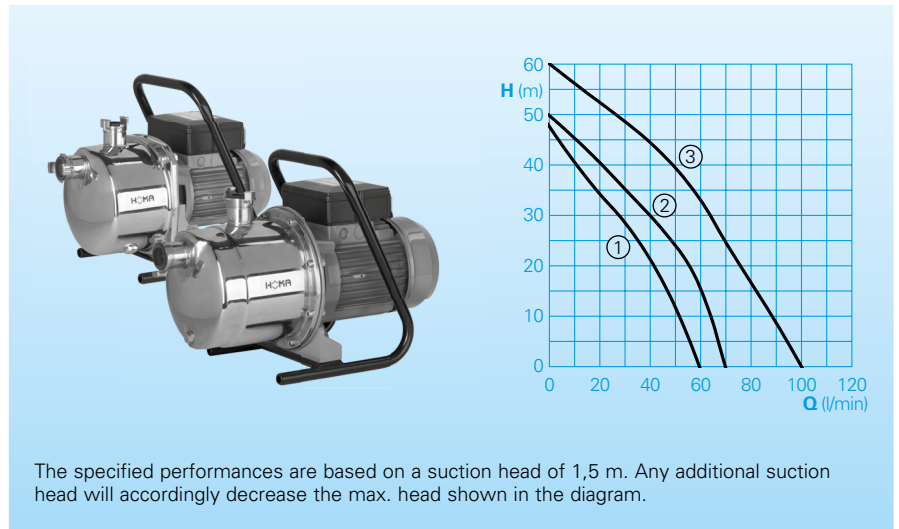
Voltage 230-240 V, 50Hz. Speed 2900 rpm.

On-Off switch.

Cable length 2 m.

**Pump:** GPE 60, GPE 71: Single stage jet pump with stainless steel pump housing and stainless steel impellers. GPE 105: Multistage centrifugal pump with stainless steel pump housing and noryl impellers.

#### Performance

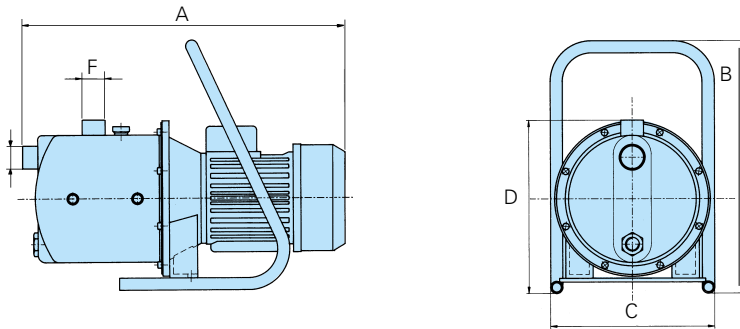


#### Technical Data

Curve No.	Pump type	Motor input P <sub>1</sub> (kW)	Nominal current (A)	Suction head max. (m)	Self priming up to max. (m)	Weight (kg)
①	GPE 60	1,0	4,3	8	8	9,5
②	GPE 71	1,2	4,9	8	8	10,5
③	GPE 105	1,3	5,5	8	8	12,5

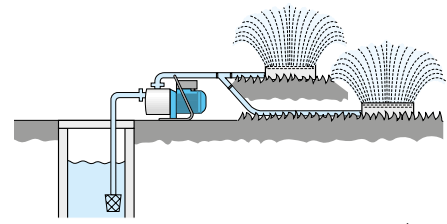
Type	Pump head (m)				Hose	Max. recommended hose length for operation with lawn sprinklers			
	Pump flow (L/min)					with 1 sprinkler	with 2 sprinklers		
<b>GPE 60</b>									
m	10	20	30	40	½" (13 mm)	65 m	1x 12 m	2x 20 m	
L/min	48	44	28	10	¾" (19 mm)	380 m	1x 70 m	2x 125 m	
<b>GPE 71</b>									
m	10	20	30	40	50	½" (13 mm)	90 m	1x 20 m	2x 35 m
L/min	64	58	40	22	2	¾" (19 mm)	510 m	1x 118 m	2x 205 m
<b>GPE 105</b>									
m	10	20	30	40	50	½" (13 mm)	142 m	1x 36 m	2x 62 m
L/min	88	75	64	50	28	¾" (19 mm)	850 m	1x 218 m	2x 360 m

**Dimensions and Installations** (all dimensions in mm)

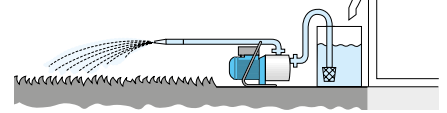


Type	A	B	C	D	E	F
GPE 60	343	300	206	234	R 1" IG	R 1" IG
GPE 71	370	300	206	229	R 1" IG	R 1" IG
GPE 105	425	300	206	229	R 1" IG	R 1" IG

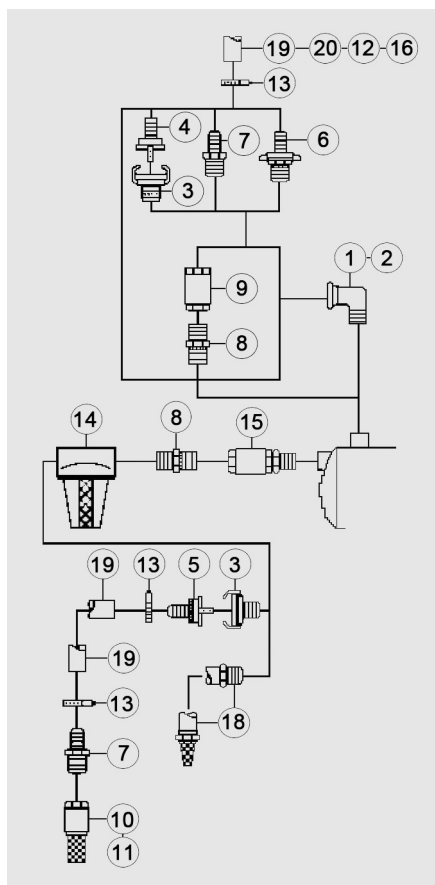
Garden spraying from wells or reservoirs



Water supply from rain water collection tank



**Accessoires**



Part Description	Dimension	Part No.
① 90° galvanized elbow	BSP 1" F/M	2111405
② 90° galvanized elbow	BSP 1" F/M	2113603
③ Brass fixed coupling	BSP 3/4" M BSP 1" M	2005213 2005313
④ Brass hose coupling	1/2" 3/4" 1"	2003113 2003213 2003313
⑤ Brass half suction coupling	3/4" 1"	2007217 2007227
⑥ Brass STA-hose coupling	BSP 1" M x 1" spigot	2001313
⑦ Hose spigot	BSP 3/4" M x 3/4" spigot R 1" M x 1" spigot BSP 1" M x 3/4" spigot BSP 1" M x 1/2" spigot	2007316 2007316 2007326 2007350 2007355
⑧ Brass double nipple	BSP 1" M BSP 1" Mx BSP 3/4" M	2009022 2009032
⑨ Brass non-return	BSP 3/4" F BSP 1" F	2009024 2009026
⑩ Foot valve with strainer	BSP 3/4" F BSP 1" F	2008145 2008146
⑪ Foot valve with strainer for driven well	outer dia. 30 mm, BSP 3/4" F	2008090
⑫ Coupling spigot	3/4" 1"	2007580 2007585

Part Description	Dimension	Part No.
⑬ Hose band	1/2" 3/4"-1"	2301522 2302330
⑭ Pre filter, BSP 1"	Length 5" Length 10"	8002036 8002031
○ Cartridge for filter	BSP 1" / length 5" BSP 1" / length 10"	8002032 8002033
○ Sealing Set for filter	5" and 10"	8002012
⑮ Extension pipe and non return valve	BSP 1" M/F	2009028
⑯ Drain cock with hose connection		2008010
⑰ Fi protection switch		1561160
⑱ Suctionkit, complete with connector BSP 1" M, reinforced hose, dia. 23 mm, suction strainer and foot valve	length 4 m length 7 m	8522010 8522015
- foot valve and connector, brass	length 4 m length 7 m	8522019 8522021
⑲ Reinforced hose	dia. 3/4" 19 mm dia. 1" 25 mm	2632019 2632025
⑳ PVC hose	dia. 3/4" 19 mm dia. 1" 25 mm	2620700 2621000
○ Electronic pressure control HPS 2 with dry run protection		1468560

