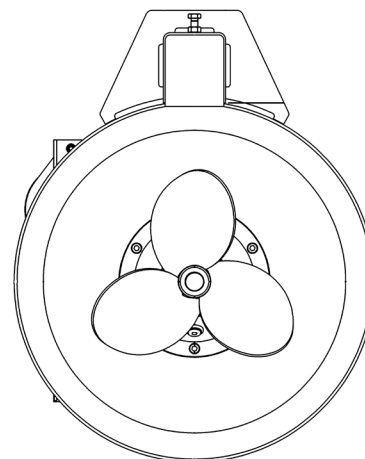
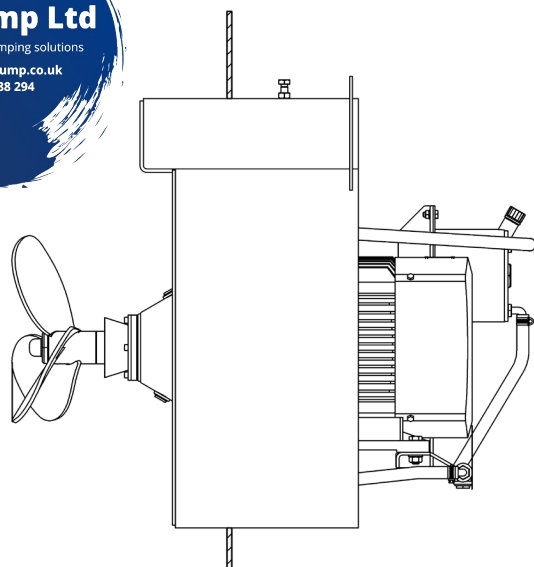


# PODTR-I



The PODTR-I is a flexible and efficient mixer that is mounted through the side of the tank wall. The three-blade propeller and the relatively low propeller speed makes it well-suited for mixing liquids with a high viscosity, such as dewatered or digested sludge. The optimal cooling function of the motor makes it an ideal choice for liquids with high temperatures.



## APPLICATION EXAMPLES

- ▶ Sludge tanks
- ▶ Mixing system for digestion tanks
- ▶ Hot liquids

## PROPELLER RPM

750 rpm

## MATERIAL OF CONSTRUCTION

Motor housing	Cast iron EN-GJL-250
Oil chamber	W1.4404/AISI316
Propeller and protection collar	Stainless steel W1.4301/AISI304
Shaft	W1.4404/AISI316
Bolts	A4
Sealing system	Mechanical shaft seals: silicon carbide/silicon carbide
Oil type	15W-40 Vario HDX (with moisture detection)

## SERVICE AND MAINTENANCE

Recommended service interval/oil change	Maximum 2,500 operating hours/minimum once a year
Motor	Lifetime lubricated bearings
Oil chamber	Periodic oil change

## SURFACE TREATMENT

Machinery enamel: RAL 9005 (Jet Black)	Jet Black
2-component coating: RAL 7005 (Mouse Grey) (optional)	Mouse Grey

## MONITORING FUNCTIONS

Thermistor

Moisture detection system (optional)

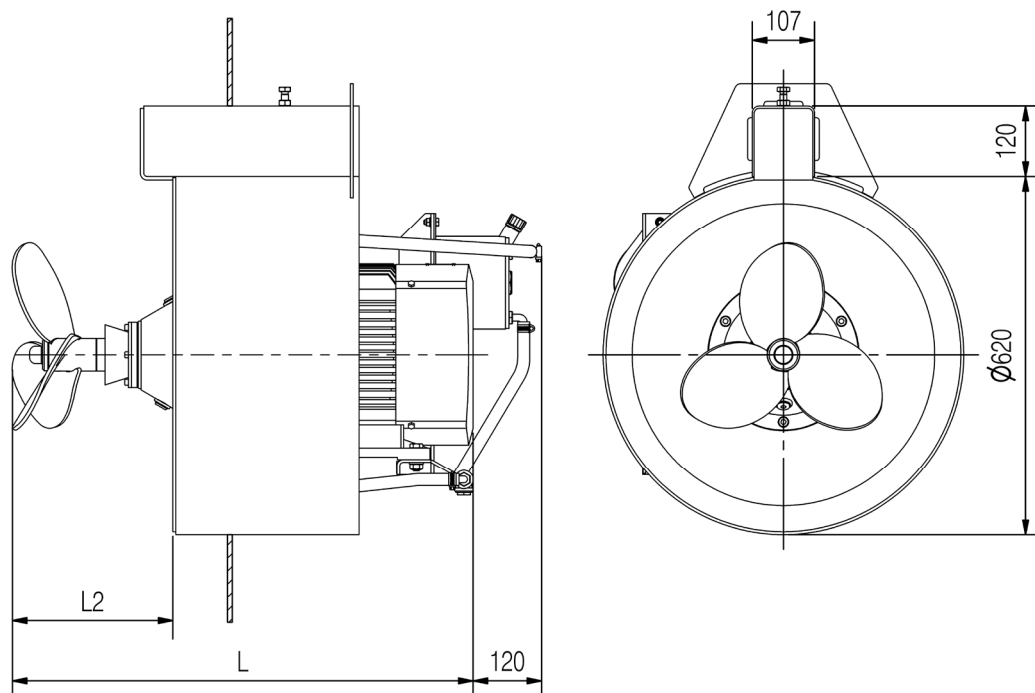
**ELECTRICAL DATA**

Motor type	3-phase AC motor
Nominal voltage	400 V
Minimum voltage allowed	360 V
Nominal frequency	50 Hz
Applicable for VFD operation	Yes
Ingress protection rating	IP 55
Insulation class	F

Model	Item number	Nominal power	Motor	Full load current (400 V)	Connection method	Start current (DOL)	cos phi	Efficiency
		[kW]	[rpm]	[A]	Y/ $\Delta$	[A]		[%]
PODTR-I 4.0 kW-750 rpm	1218504	4.0	710	9.3	$\Delta$	37	0.78	79.6
PODTR-I 5.5 kW-750 rpm	1218505	5.5	710	12.5	$\Delta$	56	0.78	81.4
PODTR-I 7.5 kW-750 rpm	1218507	7.5	725	18.0	$\Delta$	81	0.71	84.7
PODTR-I 11.0 kW-750 rpm	1218511	11.0	720	24.0	$\Delta$	108	0.78	84.8

For voltages others than 400 V/50 Hz please refer to the attached Appendix.

## OVERALL DIMENSIONS



Model	Item number	Propeller diameter [mm]	L [mm]	L2 [mm]	Weight [kg]
PODTR-I 4.0 kW-750 rpm	1218504	ø355	735	260	141
PODTR-I 5.5 kW-750 rpm	1218505	ø355	735	260	157
PODTR-I 7.5 kW-750 rpm	1218507	ø385	795	280	195
PODTR-I 11.0 kW-750 rpm	1218511	ø385	795	280	218

The shroud casing and angle of the PODTR-I is adjusted in accordance with the tank's condition and dimensions.

Be aware that the tank must be able to withstand the force from the mixer (both axial and vertical). Landia's built-in casing for the mixer does not replace the material that is removed from the tank wall. The tank supplier must design the necessary reinforcements around the hole for the mixer.

We reserve the right to make technical changes.