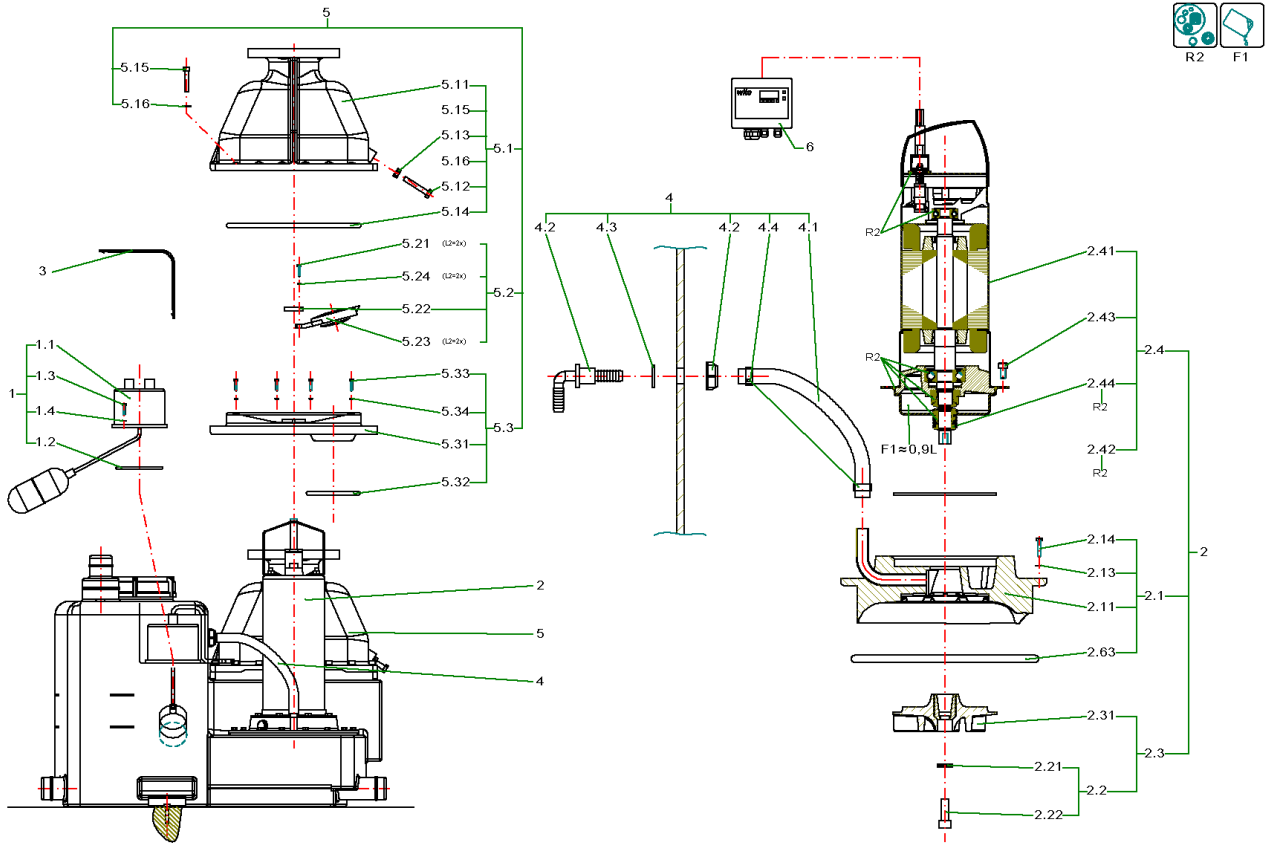




RexaLift FIT L1

Article no.	Description
2536960	REXALIFT FIT L1-10/EAD1-2-T0018-540-P/MS
2536961	REXALIFT FIT L1-13/EAD1-2-T0021-540-P/MS
2536962	REXALIFT FIT L1-16/EAD1-2-T0026-540-P/MS
2536963	REXALIFT FIT L1-19/EAD1-2-T0030-540-P/M
2536964	REXALIFT FIT L1-22/EAD1-2-T0035-540-P/M

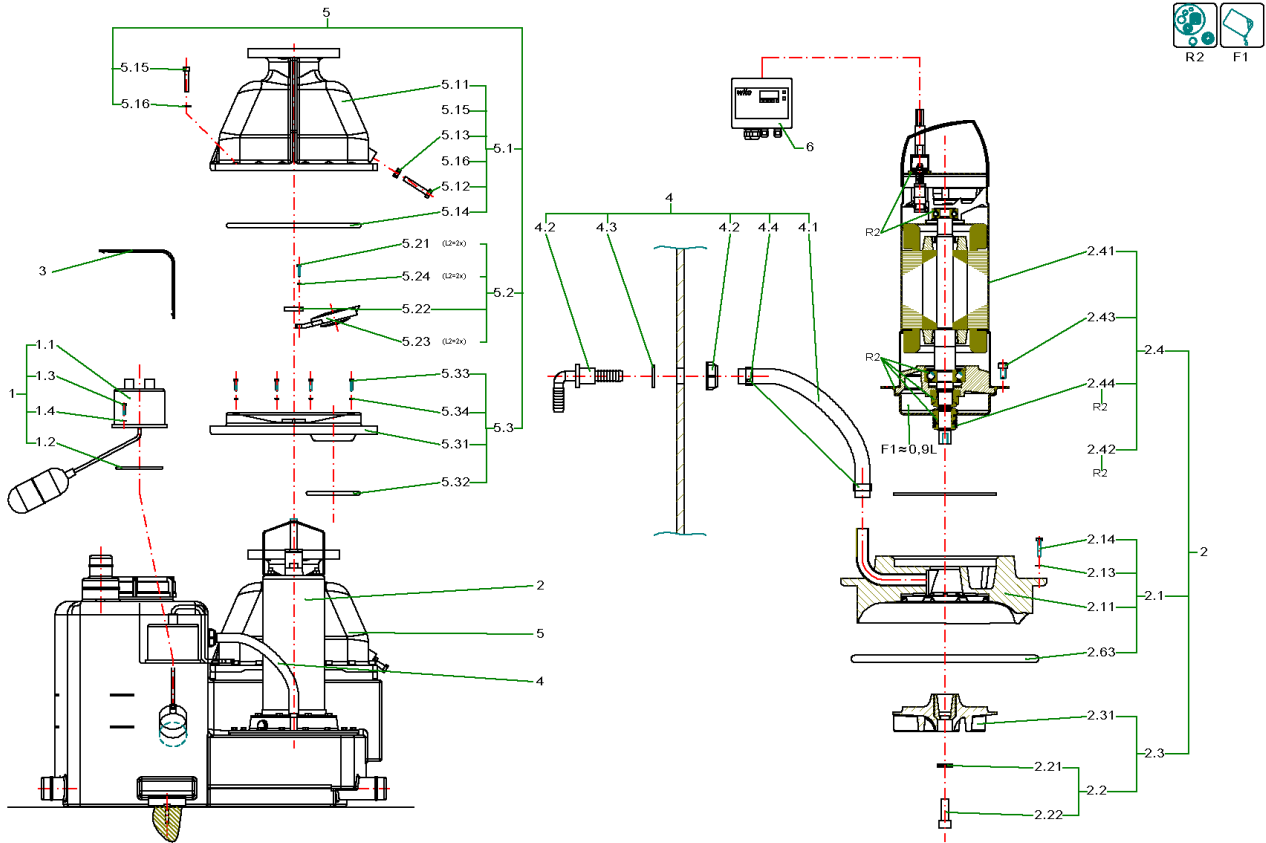


REXALIFT FIT L1-10/EAD1-2-T0018-540-P/MS (2536960)

Item	Article no.	Description	Quantity
F1	6025460	medical white oil 1L KIT	1
R2	6071804	Rep.Kit 2 L13.1 KIT	1
1	2042977	FLOATSWITCH NW15/W-M1 KIT	1
1.1		> FLOATSWITCH NW15/W-M1	1
1.2	2042978	> O-RING ID.93x5 40SR	1
1.3		> HEXAGONAL SCREW DIN7976 6,3X32 A2	1
1.4		> WASHER DIN440 R 6,6 A2A	1
2	6071738	pump unit RexaLift L/10 SET	1
2.1	6071740	> Adapterring RexaLift L S3 KIT	1
2.11		>> ADAPTERRING REXA LIFT L S3	1
2.13	2027545	>> DISC DIN9021 6,4 A2 STAINLESS STEEL VP.	16
2.14	2027543	>> HEXAGONAL SCREW DIN7976 6,3X32 A2 VP.	16
2.63	2054111	>> O-RING ID.225X6,0 EPDM 45 SHORE A VP.	1
2.3	6071741	> impeller cpl. RexaLift L/10 KIT	1
2.2	6071739	>> impeller fixation RexaLift-L KIT	1
2.21		>>> screw locking Nord-Lock 13,5/8,7 A4	1
2.22		>>> screw M8x25 ISO4762 A4	1
2.31		>> IMPELLER COMPL. REXA LIFT L/10	1
2.4	6071801	> motor RexaLift L 1,5KW (3~)SET	1
3	2042979	PROTECTIVE CAP F.FLOATSWITCH DLM	1
4	2054119	AIR EVACUATION PIPE LIFT L KIT	1
4.1	2037740	> PCV-HOSE DN16X4 VP.	
4.2	2037741	> VESSEL HOSE CONNECTION 1/2 90° VP.	1
4.3	2027563	> FLAT GASKET 30,7x20x2,5 RUBBER VP.	1
4.4	2027902	> HOSE CLAMP DIN3017-A-16-27X9-C7-W4 VP	1
5	2054120	NON RETURN VALVE DLL1 KIT	1
5.1	2054121	> NON RETURN VALVE HOUSING DLL KIT	1
5.11		>> NON RETURN VALVE HOUSING DLM/DLL	1
5.12		>> SCREW M10x50 DIN933 A4	1
5.13		>> GROMMET NUT SEAL LOCK M10 21x17x9 VG	1
5.14	2054122	>> O-RING ID.235X4,0 NBR70 SH A BLACK VP.	1
5.15		>> SCREW M6X45 ISO4014 8.8 A2A	1
5.16		>> DISC 6,4x17x3,0MM DIN 7349 A2A	1
5.2	2042982	> RUBBER FLAP DLL1 KIT	1

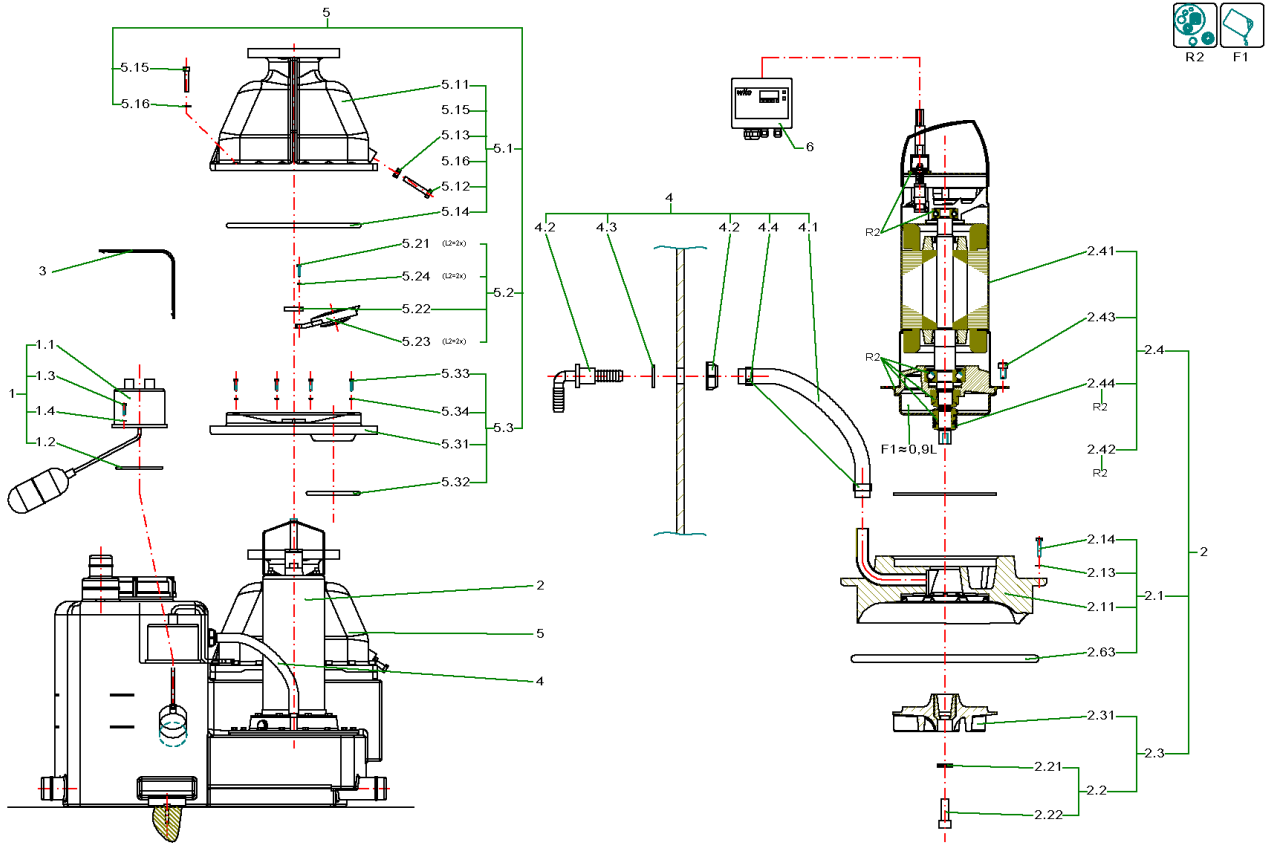
REXALIFT FIT L1-10/EAD1-2-T0018-540-P/MS (2536960)

Item	Article no.	Description	Quantity
5.14	2054122	>> O-RING ID.235X4,0 NBR70 SH A BLACK VP.	1
5.21		>> HEXAGONAL SCREW DIN7976 8,0x32 A2	1
5.22		>> FLAP SHEET DRAINLIFT M/L/XL	1
5.23		>> RUBBER FLAP DN80; DRAINLIFT M/L	1
5.24		>> WASHER A8,4 DIN125 1.4401	1
5.3	2054124	> BASE PLATE NON RETURN VALVE DLL 1 KIT	1
5.14	2054122	>> O-RING ID.235X4,0 NBR70 SH A BLACK VP.	1
5.31		>> BASE PLATE NON RETURN VALVE DLL 1	1
5.32	2027548	>> O-RING ID.89X7 NBR50SH A BLACK VP.	1
5.33		>> SCREW SDS D 6X40 KN 2036 A4	1
5.34	2054126	>> O-RING ID.5,3X2,4 NBR 70 SH A BLACK VP.	1
6	6070160	W-CTRL-MS-L-1x4kW-T4-DOL-S VP.	1
	6072495	Beipack Rexalift FIT L1 SET	1



motor RexaLift L 1,5KW (3~)SET (6071801)

Item	Article no.	Description	Quantity
2.41		S13.1-08/LIFT	1
2.42	6071960	O-ring ID.150,0x3,53 DIN3771 NBR50 VP.	1
2.43	2054118	SCREW M8X16 DIN912 A4-70(8 PIECES)	1
2.44		mechanical shaft seal MG1/20-G60 QPPGG	1

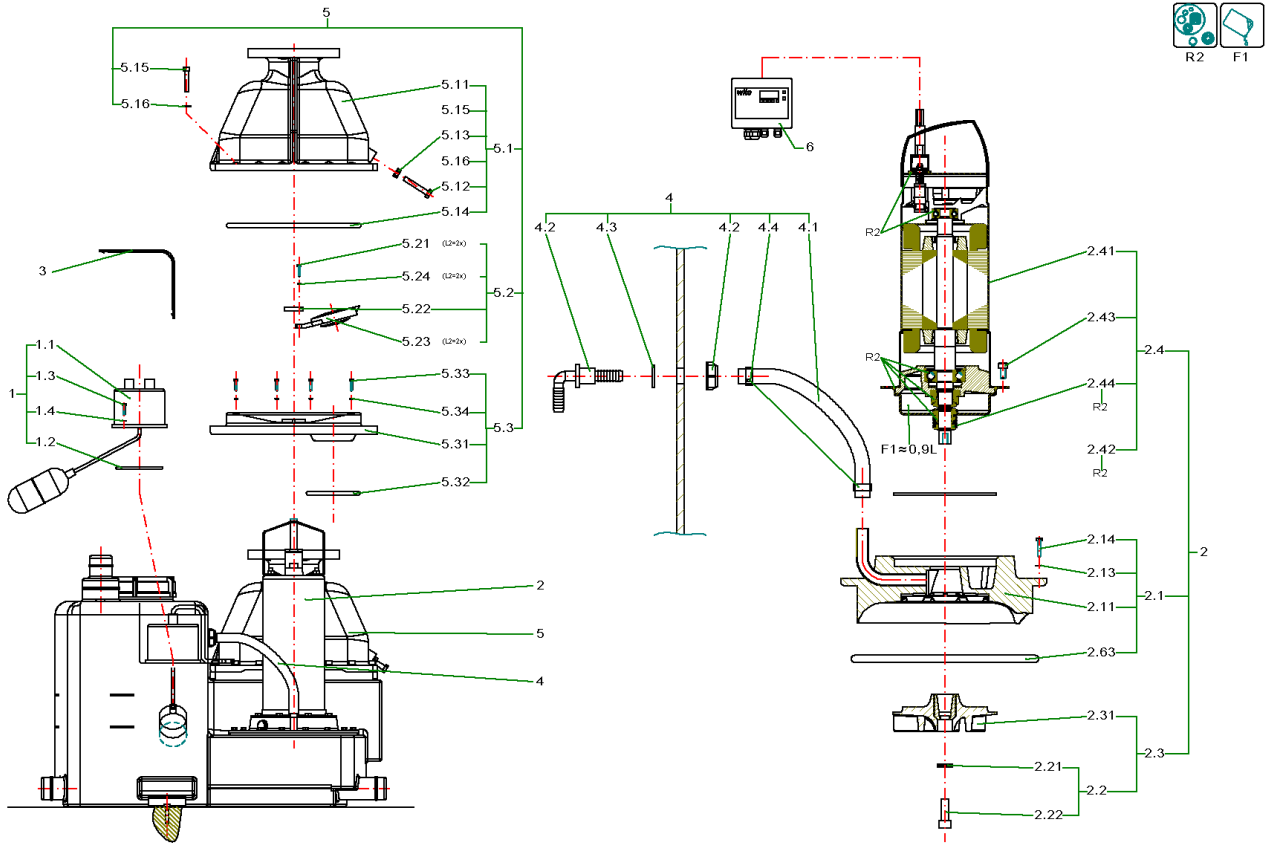


REXALIFT FIT L1-13/EAD1-2-T0021-540-P/MS (2536961)

Item	Article no.	Description	Quantity
F1	6025460	medical white oil 1L KIT	1
R2	6071804	Rep.Kit 2 L13.1 KIT	1
1	2042977	FLOATSWITCH NW15/W-M1 KIT	1
1.1		> FLOATSWITCH NW15/W-M1	1
1.2	2042978	> O-RING ID.93x5 40SR	1
1.3		> HEXAGONAL SCREW DIN7976 6,3X32 A2	1
1.4		> WASHER DIN440 R 6,6 A2A	1
2	6071729	pump unit RexaLift L/13 SET	1
2.1	6071740	> Adapterring RexaLift L S3 KIT	1
2.11		>> ADAPTERRING REXA LIFT L S3	1
2.13	2027545	>> DISC DIN9021 6,4 A2 STAINLESS STEEL VP.	16
2.14	2027543	>> HEXAGONAL SCREW DIN7976 6,3X32 A2 VP.	16
2.63	2054111	>> O-RING ID.225X6,0 EPDM 45 SHORE A VP.	1
2.3	6071742	> impeller cpl. RexaLift L/13 KIT	1
2.2	6071739	>> impeller fixation RexaLift-L KIT	1
2.21		>>> screw locking Nord-Lock 13,5/8,7 A4	1
2.22		>>> screw M8x25 ISO4762 A4	1
2.31		>> IMPELLER COMPL. REXA LIFT L/13	1
2.4	6071803	> motor RexaLift L 2,5KW (3~)SET	1
3	2042979	PROTECTIVE CAP F.FLOATSWITCH DLM	1
4	2054119	AIR EVACUATION PIPE LIFT L KIT	1
4.1	2037740	> PCV-HOSE DN16X4 VP.	
4.2	2037741	> VESSEL HOSE CONNECTION 1/2 90° VP.	1
4.3	2027563	> FLAT GASKET 30,7x20x2,5 RUBBER VP.	1
4.4	2027902	> HOSE CLAMP DIN3017-A-16-27X9-C7-W4 VP	1
5	2054120	NON RETURN VALVE DLL1 KIT	1
5.1	2054121	> NON RETURN VALVE HOUSING DLL KIT	1
5.11		>> NON RETURN VALVE HOUSING DLM/DLL	1
5.12		>> SCREW M10x50 DIN933 A4	1
5.13		>> GROMMET NUT SEAL LOCK M10 21x17x9 VG	1
5.14	2054122	>> O-RING ID.235X4,0 NBR70 SH A BLACK VP.	1
5.15		>> SCREW M6X45 ISO4014 8.8 A2A	1
5.16		>> DISC 6,4x17x3,0MM DIN 7349 A2A	1
5.2	2042982	> RUBBER FLAP DLL1 KIT	1

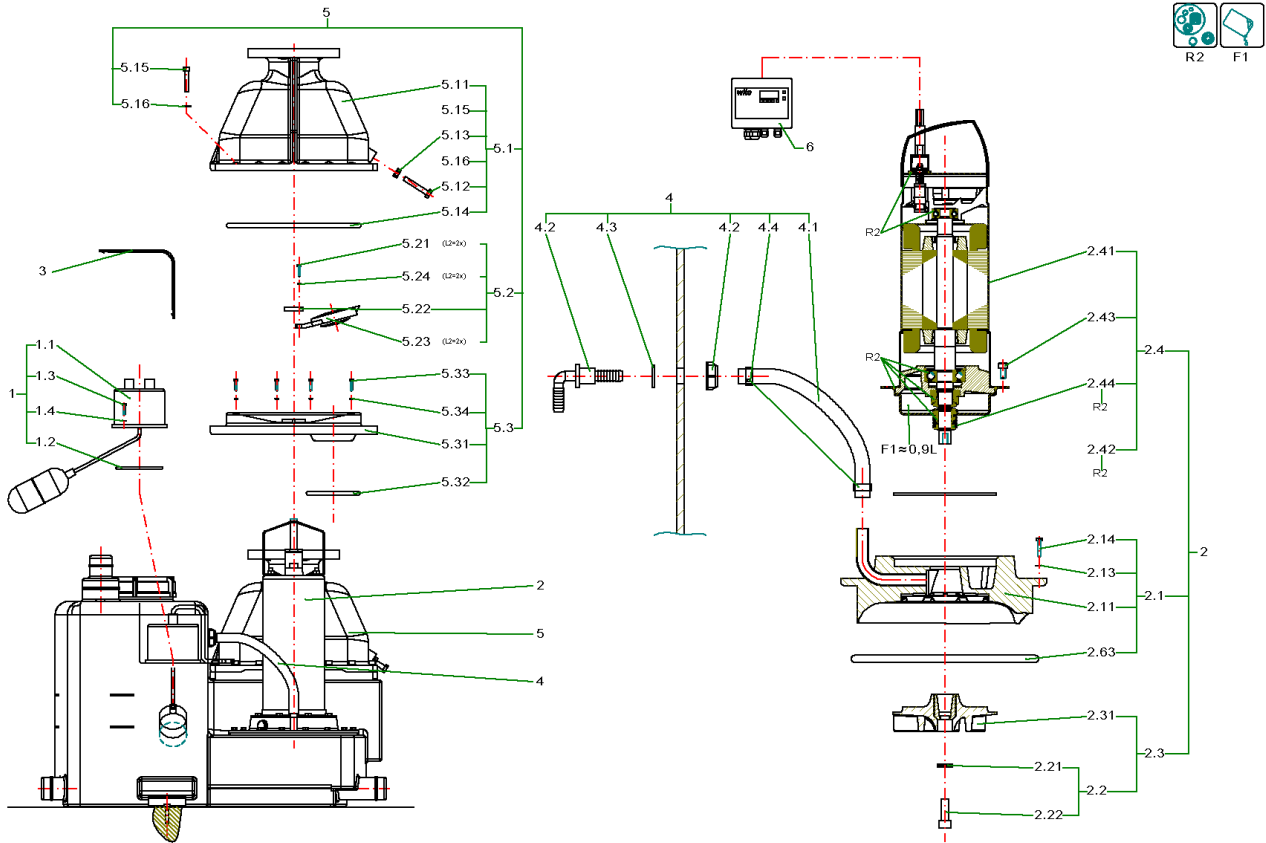
REXALIFT FIT L1-13/EAD1-2-T0021-540-P/MS (2536961)

Item	Article no.	Description	Quantity
5.14	2054122	>> O-RING ID.235X4,0 NBR70 SH A BLACK VP.	1
5.21		>> HEXAGONAL SCREW DIN7976 8,0x32 A2	1
5.22		>> FLAP SHEET DRAINLIFT M/L/XL	1
5.23		>> RUBBER FLAP DN80; DRAINLIFT M/L	1
5.24		>> WASHER A8,4 DIN125 1.4401	1
5.3	2054124	> BASE PLATE NON RETURN VALVE DLL 1 KIT	1
5.14	2054122	>> O-RING ID.235X4,0 NBR70 SH A BLACK VP.	1
5.31		>> BASE PLATE NON RETURN VALVE DLL 1	1
5.32	2027548	>> O-RING ID.89X7 NBR50SH A BLACK VP.	1
5.33		>> SCREW SDS D 6X40 KN 2036 A4	1
5.34	2054126	>> O-RING ID.5,3X2,4 NBR 70 SH A BLACK VP.	1
6	6070160	W-CTRL-MS-L-1x4kW-T4-DOL-S VP.	1
	6072495	Beipack Rexalift FIT L1 SET	1



motor RexaLift L 2,5KW (3~)SET (6071803)

Item	Article no.	Description	Quantity
2.41		S13.1-10/LIFT	1
2.42	6071960	O-ring ID.150,0x3,53 DIN3771 NBR50 VP.	1
2.43	2054118	SCREW M8X16 DIN912 A4-70(8 PIECES)	1
2.44		mechanical shaft seal MG1/20-G60 QPPGG	1

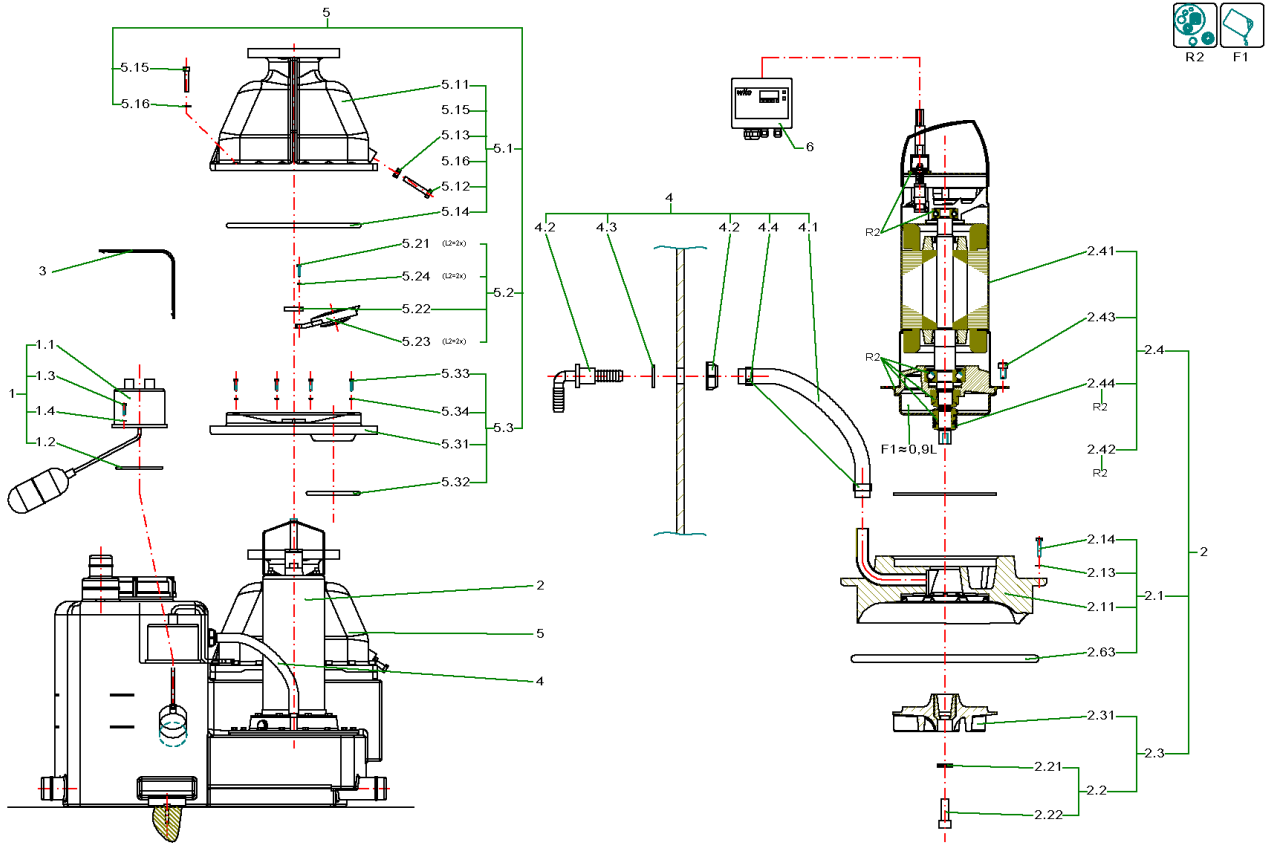


REXALIFT FIT L1-16/EAD1-2-T0026-540-P/MS (2536962)

Item	Article no.	Description	Quantity
F1	6025460	medical white oil 1L KIT	1
R2	6071804	Rep.Kit 2 L13.1 KIT	1
1	2042977	FLOATSWITCH NW15/W-M1 KIT	1
1.1		> FLOATSWITCH NW15/W-M1	1
1.2	2042978	> O-RING ID.93x5 40SR	1
1.3		> HEXAGONAL SCREW DIN7976 6,3X32 A2	1
1.4		> WASHER DIN440 R 6,6 A2A	1
2	6071728	pump unit RexaLift L/16 SET	1
2.1	6071740	> Adapterring RexaLift L S3 KIT	1
2.11		>> ADAPTERRING REXA LIFT L S3	1
2.13	2027545	>> DISC DIN9021 6,4 A2 STAINLESS STEEL VP.	16
2.14	2027543	>> HEXAGONAL SCREW DIN7976 6,3X32 A2 VP.	16
2.63	2054111	>> O-RING ID.225X6,0 EPDM 45 SHORE A VP.	1
2.3	6071743	> impeller cpl. RexaLift L/16 KIT	1
2.2	6071739	>> impeller fixation RexaLift-L KIT	1
2.21		>>> screw locking Nord-Lock 13,5/8,7 A4	1
2.22		>>> screw M8x25 ISO4762 A4	1
2.31		>> IMPELLER COMPL. REXA LIFT L/16	1
2.4	6071803	> motor RexaLift L 2,5KW (3~)SET	1
3	2042979	PROTECTIVE CAP F.FLOATSWITCH DLM	1
4	2054119	AIR EVACUATION PIPE LIFT L KIT	1
4.1	2037740	> PCV-HOSE DN16X4 VP.	
4.2	2037741	> VESSEL HOSE CONNECTION 1/2 90° VP.	1
4.3	2027563	> FLAT GASKET 30,7x20x2,5 RUBBER VP.	1
4.4	2027902	> HOSE CLAMP DIN3017-A-16-27X9-C7-W4 VP	1
5	2054120	NON RETURN VALVE DLL1 KIT	1
5.1	2054121	> NON RETURN VALVE HOUSING DLL KIT	1
5.11		>> NON RETURN VALVE HOUSING DLM/DLL	1
5.12		>> SCREW M10x50 DIN933 A4	1
5.13		>> GROMMET NUT SEAL LOCK M10 21x17x9 VG	1
5.14	2054122	>> O-RING ID.235X4,0 NBR70 SH A BLACK VP.	1
5.15		>> SCREW M6X45 ISO4014 8.8 A2A	1
5.16		>> DISC 6,4x17x3,0MM DIN 7349 A2A	1
5.2	2042982	> RUBBER FLAP DLL1 KIT	1

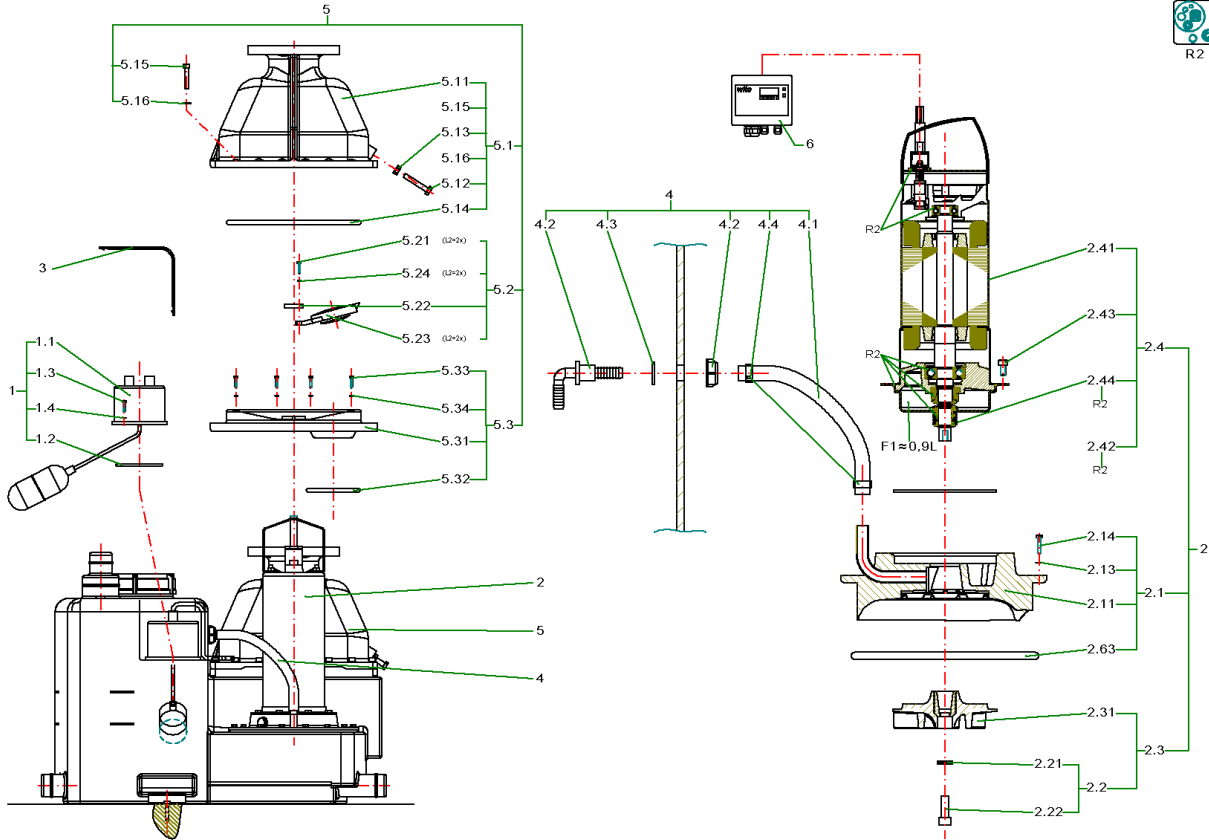
REXALIFT FIT L1-16/EAD1-2-T0026-540-P/MS (2536962)

Item	Article no.	Description	Quantity
5.14	2054122	>> O-RING ID.235X4,0 NBR70 SH A BLACK VP.	1
5.21		>> HEXAGONAL SCREW DIN7976 8,0x32 A2	1
5.22		>> FLAP SHEET DRAINLIFT M/L/XL	1
5.23		>> RUBBER FLAP DN80; DRAINLIFT M/L	1
5.24		>> WASHER A8,4 DIN125 1.4401	1
5.3	2054124	> BASE PLATE NON RETURN VALVE DLL 1 KIT	1
5.14	2054122	>> O-RING ID.235X4,0 NBR70 SH A BLACK VP.	1
5.31		>> BASE PLATE NON RETURN VALVE DLL 1	1
5.32	2027548	>> O-RING ID.89X7 NBR50SH A BLACK VP.	1
5.33		>> SCREW SDS D 6X40 KN 2036 A4	1
5.34	2054126	>> O-RING ID.5,3X2,4 NBR 70 SH A BLACK VP.	1
6	6070160	W-CTRL-MS-L-1x4kW-T4-DOL-S VP.	1
	6072495	Beipack Rexalift FIT L1 SET	1



motor RexaLift L 2,5KW (3~)SET (6071803)

Item	Article no.	Description	Quantity
2.41		S13.1-10/LIFT	1
2.42	6071960	O-ring ID.150,0x3,53 DIN3771 NBR50 VP.	1
2.43	2054118	SCREW M8X16 DIN912 A4-70(8 PIECES)	1
2.44		mechanical shaft seal MG1/20-G60 QPPGG	1

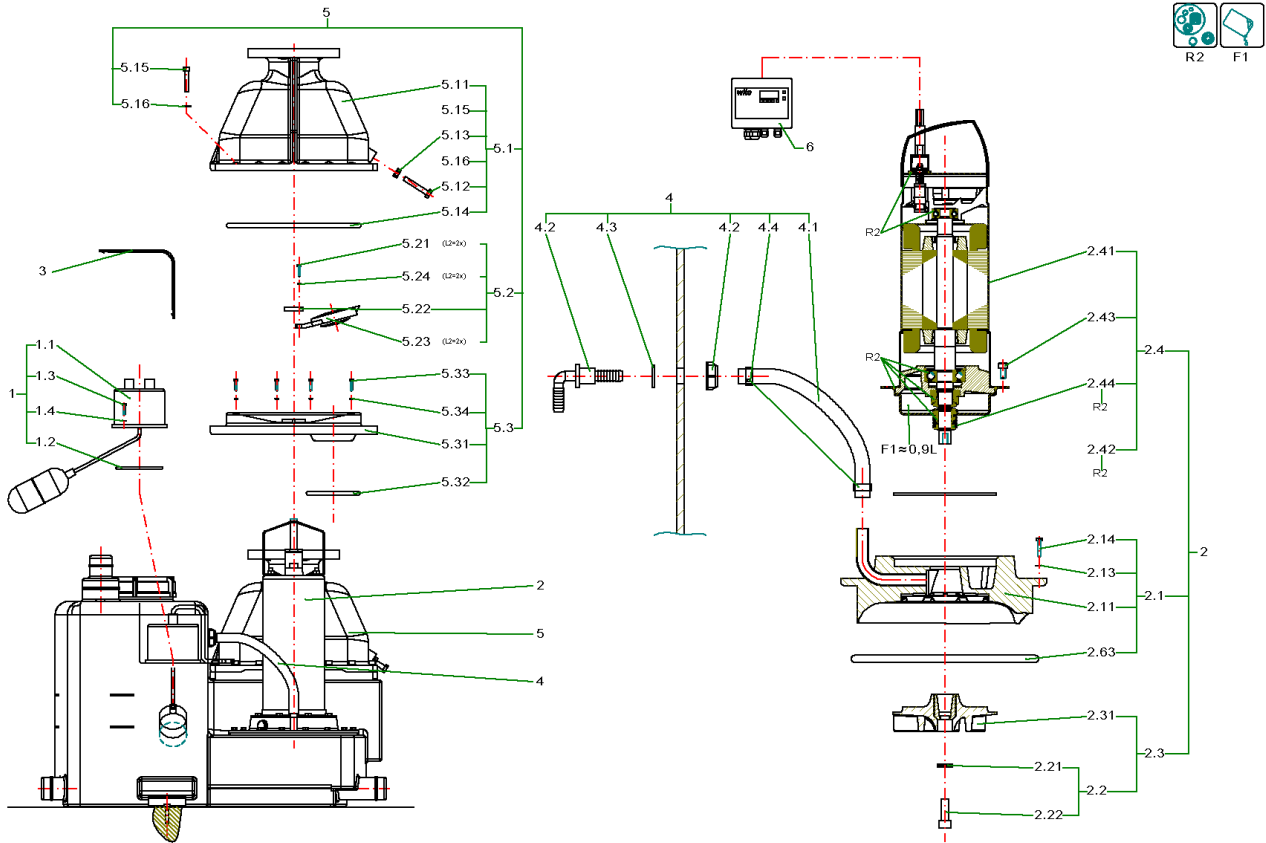


REXALIFT FIT L1-19/EAD1-2-T0030-540-P/M (2536963)

Item	Article no.	Description	Quantity
F1	6025460	medical white oil 1L KIT	1
R2	6071804	Rep.Kit 2 L13.1 KIT	1
1	2042977	FLOATSWITCH NW15/W-M1 KIT	1
1.1		> FLOATSWITCH NW15/W-M1	1
1.2	2042978	> O-RING ID.93x5 40SR	1
1.3		> HEXAGONAL SCREW DIN7976 6,3X32 A2	1
1.4		> WASHER DIN440 R 6,6 A2A	1
2	6071737	pump unit RexaLift L/19 SET	1
2.1	6071740	> Adapterring RexaLift L S3 KIT	1
2.11		>> ADAPTERRING REXA LIFT L S3	1
2.13	2027545	>> DISC DIN9021 6,4 A2 STAINLESS STEEL VP.	16
2.14	2027543	>> HEXAGONAL SCREW DIN7976 6,3X32 A2 VP.	16
2.63	2054111	>> O-RING ID.225X6,0 EPDM 45 SHORE A VP.	1
2.3	6071744	> impeller cpl. RexaLift L/19 KIT	1
2.2	6071739	>> impeller fixation RexaLift-L KIT	1
2.21		>>> screw locking Nord-Lock 13,5/8,7 A4	1
2.22		>>> screw M8x25 ISO4762 A4	1
2.31		>> IMPELLER COMPL. REXA LIFT L/19	1
2.4	6071802	> motor RexaLift L 3,9KW (3~)SET	1
3	2042979	PROTECTIVE CAP F.FLOATSWITCH DLM	1
4	2054119	AIR EVACUATION PIPE LIFT L KIT	1
4.1	2037740	> PCV-HOSE DN16X4 VP.	
4.2	2037741	> VESSEL HOSE CONNECTION 1/2 90° VP.	1
4.3	2027563	> FLAT GASKET 30,7x20x2,5 RUBBER VP.	1
4.4	2027902	> HOSE CLAMP DIN3017-A-16-27X9-C7-W4 VP	1
5	2054120	NON RETURN VALVE DLL1 KIT	1
5.1	2054121	> NON RETURN VALVE HOUSING DLL KIT	1
5.11		>> NON RETURN VALVE HOUSING DLM/DLL	1
5.12		>> SCREW M10x50 DIN933 A4	1
5.13		>> GROMMET NUT SEAL LOCK M10 21x17x9 VG	1
5.14	2054122	>> O-RING ID.235X4,0 NBR70 SH A BLACK VP.	1
5.15		>> SCREW M6X45 ISO4014 8.8 A2A	1
5.16		>> DISC 6,4x17x3,0MM DIN 7349 A2A	1
5.2	2042982	> RUBBER FLAP DLL1 KIT	1

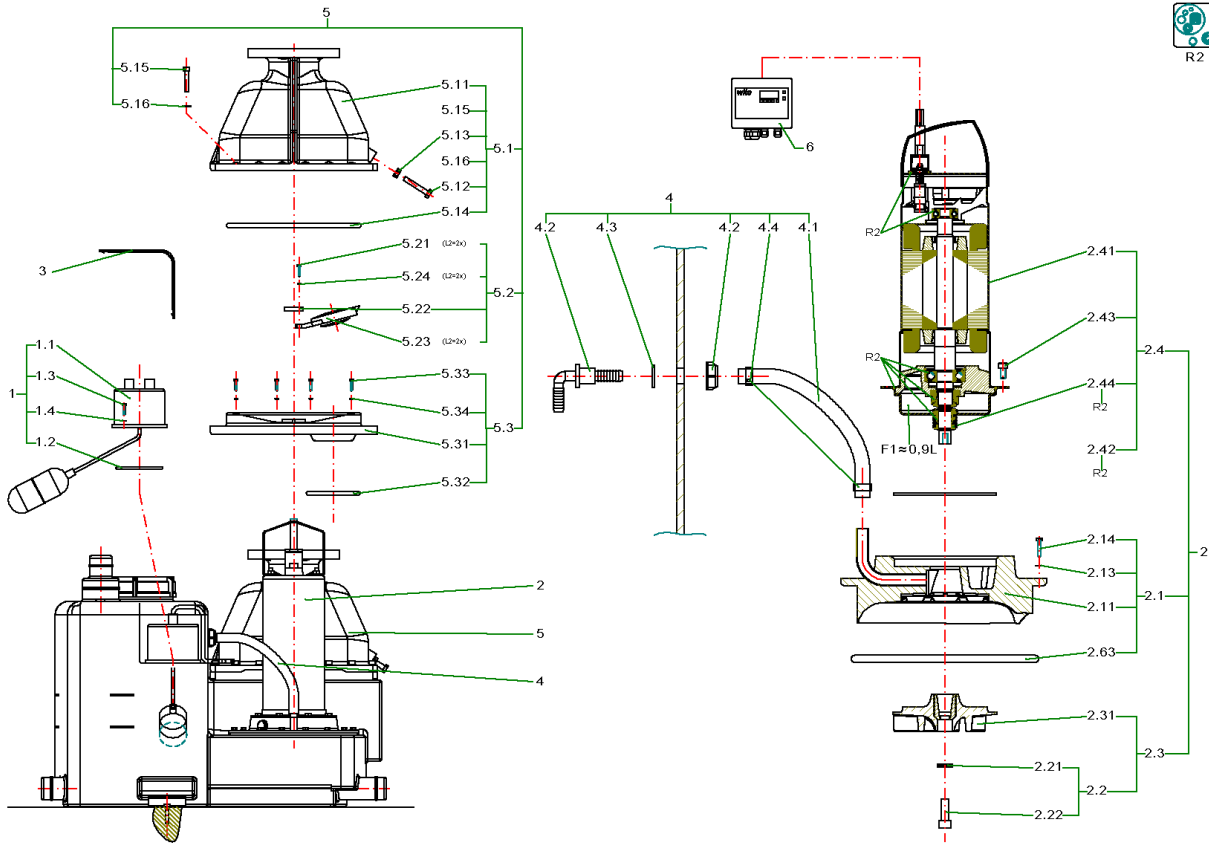
REXALIFT FIT L1-19/EAD1-2-T0030-540-P/M (2536963)

Item	Article no.	Description	Quantity
5.14	2054122	>> O-RING ID.235X4,0 NBR70 SH A BLACK VP.	1
5.21		>> HEXAGONAL SCREW DIN7976 8,0x32 A2	1
5.22		>> FLAP SHEET DRAINLIFT M/L/XL	1
5.23		>> RUBBER FLAP DN80; DRAINLIFT M/L	1
5.24		>> WASHER A8,4 DIN125 1.4401	1
5.3	2054124	> BASE PLATE NON RETURN VALVE DLL 1 KIT	1
5.14	2054122	>> O-RING ID.235X4,0 NBR70 SH A BLACK VP.	1
5.31		>> BASE PLATE NON RETURN VALVE DLL 1	1
5.32	2027548	>> O-RING ID.89X7 NBR50SH A BLACK VP.	1
5.33		>> SCREW SDS D 6X40 KN 2036 A4	1
5.34	2054126	>> O-RING ID.5,3X2,4 NBR 70 SH A BLACK VP.	1
6	6070160	W-CTRL-MS-L-1x4kW-T4-DOL-S VP.	1
	6072495	Beipack Rexalift FIT L1 SET	1



motor RexaLift L 3,9KW (3~)SET (6071802)

Item	Article no.	Description	Quantity
2.41		S13.1-15/LIFT	1
2.42	6071960	O-ring ID.150,0x3,53 DIN3771 NBR50 VP.	1
2.43	2054118	SCREW M8X16 DIN912 A4-70(8 PIECES)	1
2.44		mechanical shaft seal MG1/20-G60 QPPGG	1

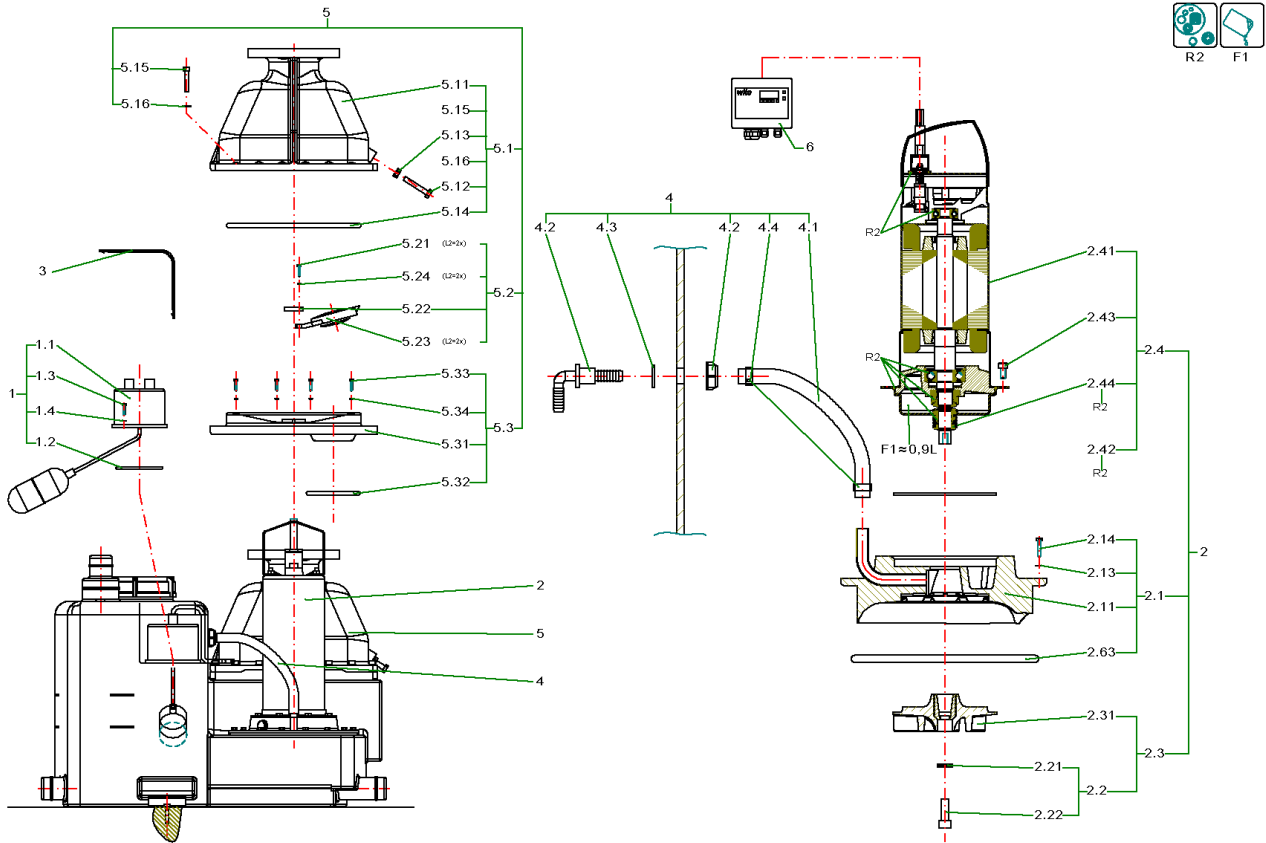


REXALIFT FIT L1-22/EAD1-2-T0035-540-P/M (2536964)

Item	Article no.	Description	Quantity
F1	6025460	medical white oil 1L KIT	1
R2	6071804	Rep.Kit 2 L13.1 KIT	1
1	2042977	FLOATSWITCH NW15/W-M1 KIT	1
1.1		> FLOATSWITCH NW15/W-M1	1
1.2	2042978	> O-RING ID.93x5 40SR	1
1.3		> HEXAGONAL SCREW DIN7976 6,3X32 A2	1
1.4		> WASHER DIN440 R 6,6 A2A	1
2	6071736	pump unit RexaLift L/22 SET	1
2.1	6071740	> Adapterring RexaLift L S3 KIT	1
2.11		>> ADAPTERRING REXA LIFT L S3	1
2.13	2027545	>> DISC DIN9021 6,4 A2 STAINLESS STEEL VP.	16
2.14	2027543	>> HEXAGONAL SCREW DIN7976 6,3X32 A2 VP.	16
2.63	2054111	>> O-RING ID.225X6,0 EPDM 45 SHORE A VP.	1
2.3	6071745	> impeller cpl. RexaLift L/22 KIT	1
2.2	6071739	>> impeller fixation RexaLift-L KIT	1
2.21		>>> screw locking Nord-Lock 13,5/8,7 A4	1
2.22		>>> screw M8x25 ISO4762 A4	1
2.31		>> IMPELLER D142 REXA LIFT L	1
2.4	6071802	> motor RexaLift L 3,9KW (3~)SET	1
3	2042979	PROTECTIVE CAP F.FLOATSWITCH DLM	1
4	2054119	AIR EVACUATION PIPE LIFT L KIT	1
4.1	2037740	> PCV-HOSE DN16X4 VP.	
4.2	2037741	> VESSEL HOSE CONNECTION 1/2 90° VP.	1
4.3	2027563	> FLAT GASKET 30,7x20x2,5 RUBBER VP.	1
4.4	2027902	> HOSE CLAMP DIN3017-A-16-27X9-C7-W4 VP	1
5	2054120	NON RETURN VALVE DLL1 KIT	1
5.1	2054121	> NON RETURN VALVE HOUSING DLL KIT	1
5.11		>> NON RETURN VALVE HOUSING DLM/DLL	1
5.12		>> SCREW M10x50 DIN933 A4	1
5.13		>> GROMMET NUT SEAL LOCK M10 21x17x9 VG	1
5.14	2054122	>> O-RING ID.235X4,0 NBR70 SH A BLACK VP.	1
5.15		>> SCREW M6X45 ISO4014 8.8 A2A	1
5.16		>> DISC 6,4x17x3,0MM DIN 7349 A2A	1
5.2	2042982	> RUBBER FLAP DLL1 KIT	1

REXALIFT FIT L1-22/EAD1-2-T0035-540-P/M (2536964)

Item	Article no.	Description	Quantity
5.14	2054122	>> O-RING ID.235X4,0 NBR70 SH A BLACK VP.	1
5.21		>> HEXAGONAL SCREW DIN7976 8,0x32 A2	1
5.22		>> FLAP SHEET DRAINLIFT M/L/XL	1
5.23		>> RUBBER FLAP DN80; DRAINLIFT M/L	1
5.24		>> WASHER A8,4 DIN125 1.4401	1
5.3	2054124	> BASE PLATE NON RETURN VALVE DLL 1 KIT	1
5.14	2054122	>> O-RING ID.235X4,0 NBR70 SH A BLACK VP.	1
5.31		>> BASE PLATE NON RETURN VALVE DLL 1	1
5.32	2027548	>> O-RING ID.89X7 NBR50SH A BLACK VP.	1
5.33		>> SCREW SDS D 6X40 KN 2036 A4	1
5.34	2054126	>> O-RING ID.5,3X2,4 NBR 70 SH A BLACK VP.	1
6	6070160	W-CTRL-MS-L-1x4kW-T4-DOL-S VP.	1
	6072495	Beipack Rexalift FIT L1 SET	1



motor RexaLift L 3,9KW (3~)SET (6071802)

Item	Article no.	Description	Quantity
2.41		S13.1-15/LIFT	1
2.42	6071960	O-ring ID.150,0x3,53 DIN3771 NBR50 VP.	1
2.43	2054118	SCREW M8X16 DIN912 A4-70(8 PIECES)	1
2.44		mechanical shaft seal MG1/20-G60 QPPGG	1