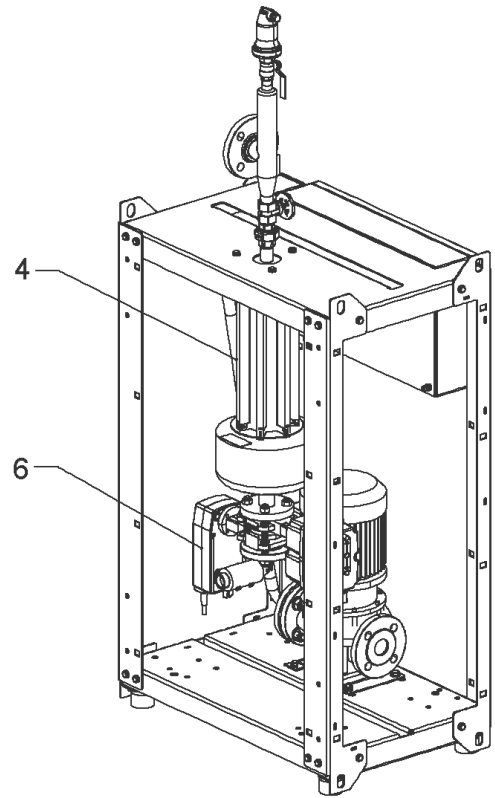
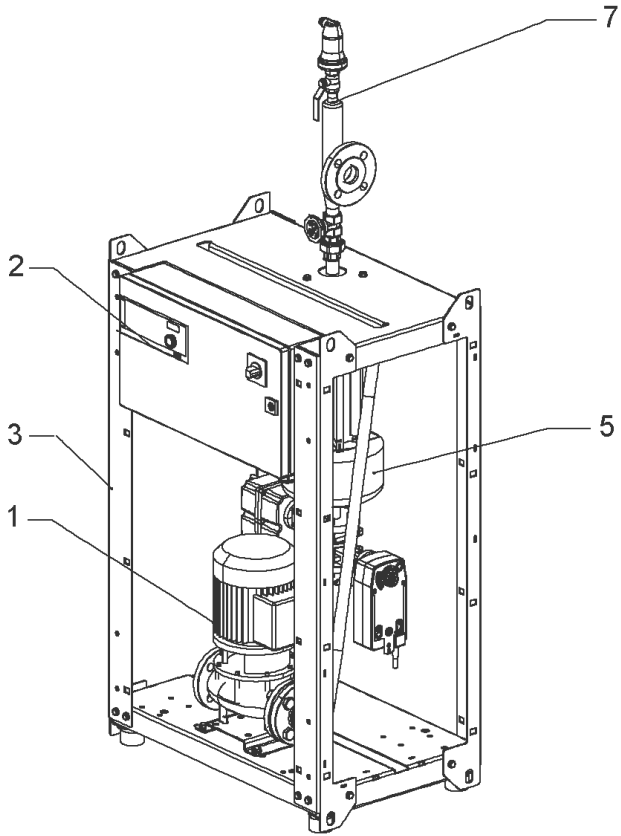


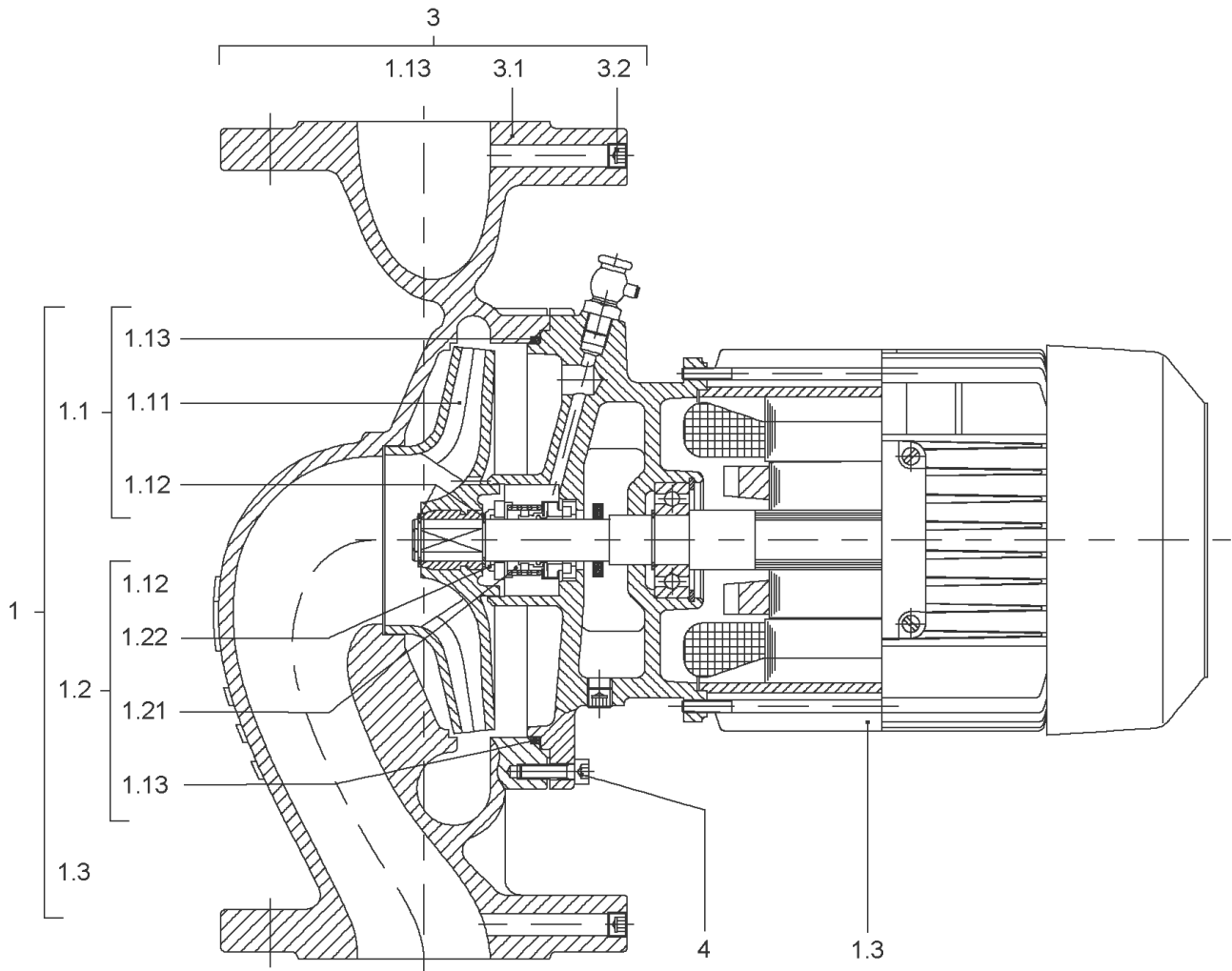
SiClean Comfort

Article no.	Description
4194907	SiClean comfort_12
4194908	SiClean comfort_15
4194909	SiClean comfort_20
4194910	SiClean comfort_25
4194911	SiClean comfort_30
4194912	SiClean comfort_40
4194913	SiClean comfort_50
4194914	SiClean comfort_65



SiClean comfort_12 (4194907)

Item	Article no.	Description	Quantity
1		IPL32/105-0,75/2	1
2	4215003	KIT S-Control-SC-C-1x2,4A-T34-DOL-WM	1
3	4215004	Frame SICLEAN Comfort T1 KIT	1
4	4215042	Separator SiClean COMFORT 12 KIT	1
5	4215048	Link separator SiClean 12 KIT	1
6	4215049	Purge SiClean comfort KIT	1
7	4215060	Separator outlet SiClean conf. 12 KIT	1



IPL32/105-0,75/2

Item	Article no.	Description	Quantity
1	2166322	Exchange kit IPL32/105-0,75/2	1
1.1	2158353	> Impeller 32/130-112/17 PPO FE1630 KIT	1
1.11		>> Impeller 32/130-112/17 PPO FE1630 fin	1
1.12	2123932	>> CIRCLIP 17X1 DIN471 A2 1.4122 VP.	1
1.13	2046358	>> O-RING ID.164,7X3,53 E7518 VP.	1
1.2	122097593	> Mechanical seal ID.17 AQ1EGG KIT	1
1.12	2123932	>> CIRCLIP 17X1 DIN471 A2 1.4122 VP.	1
1.13	2010300	>> O-RING ID.107,54X3,53	1
1.13	2010301	>> O-RING ID.117,07X3,53	1
1.13	2054183	>> O-RING ID.158,34X3,53 E7518	1
Note: TO/ BIS/ JUSQU'À: 03/03			
1.13	2046358	>> O-RING ID.164,7X3,53 E7518 VP.	1
Note: FROM/ AB/ À PARTIR: 04/03			
1.21		>> MECHANICAL SEAL ID.17 AQ1EGG	1
1.22		>> Distance ring D.17/30X9 PPO FE1630	1
1.3		> Motor	1
		Spare parts motor 0,75/2/80 F188 IE3	1
3	2161144	Pump housing I32/130-F188 16 GG KIT	1
1.13	2046358	> O-RING ID.164,7X3,53 E7518 VP.	1
3.1		> Pump housing IP32/130-F188 16 GG WILO	1
4	2052495	SCREW M6X20 ISO4762 8.8 (8 PIECES)	1

Motor-Typenschild / Motor type plate / Plaque identité moteur

Bei Ersatzteilbestellung Motorhersteller / Motordaten beachten!

Consider motor manufacturers / motor data for order of spare parts!

Pour les commandes de pièce détachée, indiquer le fabricant / les données du moteur!

Motor-Nummer
motor number
numéro du moteur

ATB

3~Mot.	AF132S/2F-11S+E2/0509	IE3-88,1%	
S1	132S IMV1	224039411-1	522058X
IP 55	Th. Cl. 155(F)	SCHWINGGROESSENSTUFE B	
KD_NR.2064705			
kW	V	Hz	A
7,5	Y/Δ 690/400	50	7,9 / 13,7
7,5	D460	60	11,8
Made in Germany		50 kg	EN 60034

Motor-Nummer
motor number
numéro du moteur

TEE

		ELECTRIC MOTORS ARCELIK A.S. - TURKEY				IE3	
3~Mot Q2E FS 80M2D80-F188cl F		S1		Kg 13			
N° 0001		04012011		IP55 IM-		IEC 60034 VDE 0530	
V	Hz	min ⁻¹	kW	Cosφ	A	η	Load Efficiency
230/400	50	2885	1.1	0.83	4.2 / 2.4	IE3-79.6%	%50 76,1%
265/460	60	3460	1.27	0.83	4.0 / 2.3		%75 79,1%

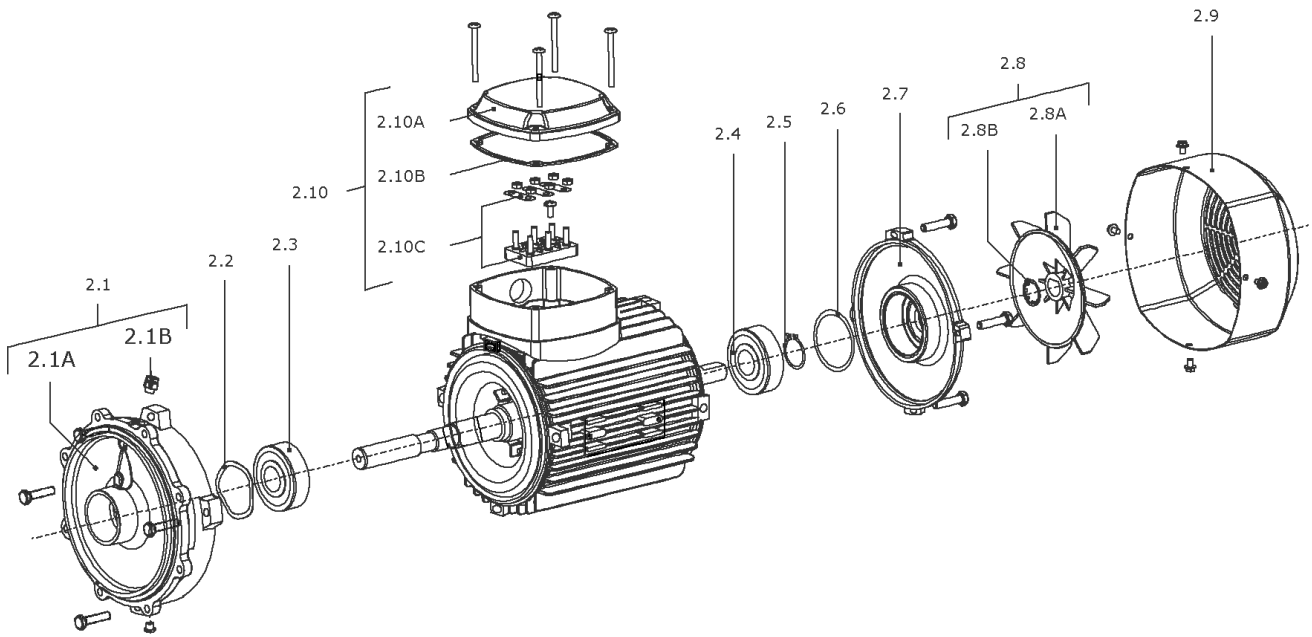
ELEC

Motor-Nummer
motor number
numéro du moteur

3~Induction Motor			
Made by WILLO Group			
3501437	W080090-2-F188		0902.001
Class F	S1	IP55	13.5kg EN60034
50Hz	1.10kW	2850min ⁻¹	60Hz 1.29kW 3435min ⁻¹
Y/Δ	230/400V	4.02/2.32A	Y 440-480V 2.40-2.32A
Cosφ =0.82	IE2-81.5%		Cosφ =0.85 IE3-82.5%

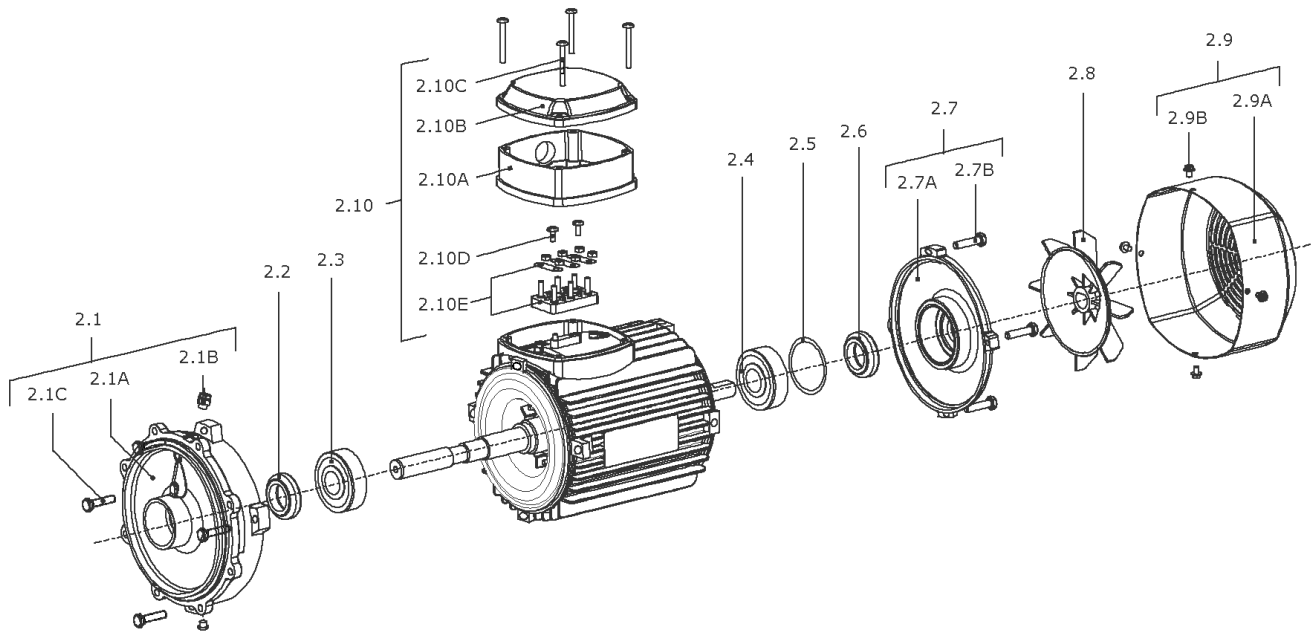
Spare parts motor 0,75/2/80 F188 IE3

Item	Description	Quantity
ATB	MOTOR 0,75/2/80 F188 ATB IE3	1
TEE	Motor 0,75/2/80 F188 TEE IE3	1
ELEC	W080070-2-F188L 400V/50Hz 0.75kWIE3	1
Note: Motor 3504205		
ELEC	W071080-2-F188L T0.75-405YIE3F55	1
Note: Motor 3512303		



MOTOR 0,75/2/80 F188 ATB IE3

Item	Article no.	Description	Quantity
2.1	2125448	END SHIELD BG71/80 D.E.ATB KIT	1
Note: Please give the data from type plate of the motor			
2.1A		> END SHIELD LF71/80 D.E.567836 ATB	1
2.1B	2027201	> BLOWGUN R1/8" VP.	1
Note: Please give the data from type plate of the motor			
2.2	2090403	SHIM BALL BEARING BG71 ATB VP.	1
Note: Please give the data from type plate of the motor			
2.3	121084499	BALL BEARING 6204/2Z-C3 (HT) VP.	1
Note: Please give the data from type plate of the motor			
2.4	122097891	BALL BEARING 6202/2Z-C3 (HT) VP.	1
Note: Please give the data from type plate of the motor			
2.5	2123932	CIRCLIP 17X1 DIN471 A2 1.4122 VP.	1
Note: Please give the data from type plate of the motor			
2.5	2046120	CIRCLIP 40X1,75 DIN472 A2	1
Note: Please give the data from type plate of the motor			
2.6	2096271	SPACER DISC BG71/80 ATB VP.	1
Note: Please give the data from type plate of the motor			
2.7	2125436	END SHIELD BG71/80 N.D.E.ATB VP.	1
Note: Please give the data from type plate of the motor			
2.8	122093297	FAN WHEEL BG71 ATB KIT	1
Note: Please give the data from type plate of the motor			
2.8A		> FAN WHEEL BG71/80 106152 ATB	1
2.8B	2123923	> CORRUGATED SLEEVE RING BG71 ATB VP.	1
Note: Please give the data from type plate of the motor			
2.9	2046448	FAN HOUSING BG71/80 ATB VP.	1
Note: Please give the data from type plate of the motor			
2.10	2123996	TERMINAL BOX CPL.BG71-80 ATB KIT	1
Note: Please give the data from type plate of the motor			
2.10A	2114271	> Term.box cover+gasket BG71/80 ATB VP.	1
Note: Please give the data from type plate of the motor			
2.10C	2096208	> TERMINAL BOARD BG71/80 ATB VP.	1
Note: Please give the data from type plate of the motor			

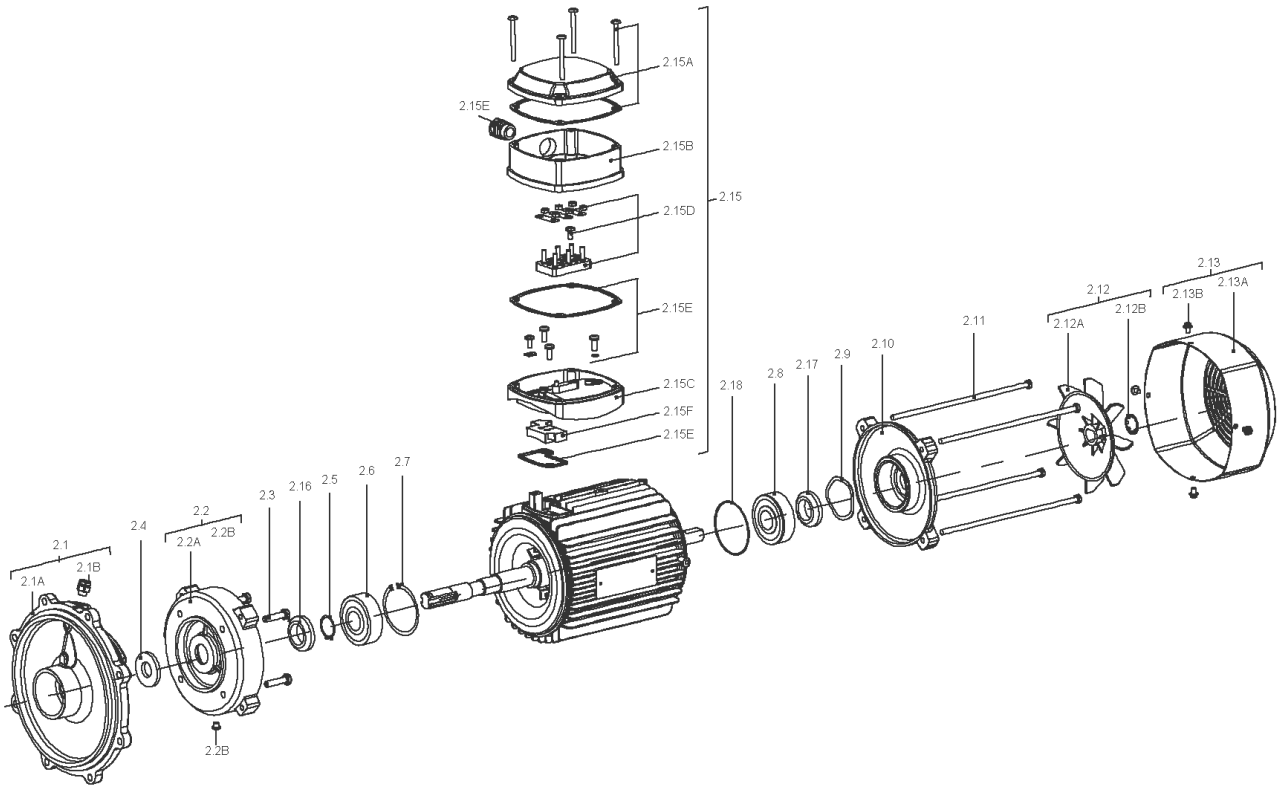


Motor 0,75/2/80 F188 TEE IE3

Item	Article no.	Description	Quantity
2.1	2116810	END SHIELD BG80-F188 D.E.TEE KIT	1
Note: Please give the data from type plate of the motor			
2.1A		> END SHIELD BG80 644304501-K D.E.TEE	1
2.1B	2027201	> BLOWGUN R1/8" VP.	1
Note: Please give the data from type plate of the motor			
2.1C	2118355	> SCREW F.END SHIELD BG80 TEE (8 PIECES)	1
Note: Please give the data from type plate of the motor			
2.3	2046960	BALL BEARING 6204/2RS-C3 (HT) VP.	1
Note: Please give the data from type plate of the motor			
2.4	121084499	BALL BEARING 6204/2Z-C3 (HT) VP.	1
Note: Please give the data from type plate of the motor			
2.5	2118367	SPACER DISK BG80 TEE VP.	1
Note: Please give the data from type plate of the motor			
2.6	2096377	JOINT RING 20X30X7 TEE VP.	1
2.7	2116831	END SHIELD BG80 N.D.E.TEE KIT	1
Note: Please give the data from type plate of the motor			
2.7A		> END SHIELD BG80 643407501 N.D.E.TEE	1
2.7B	2118355	> SCREW F.END SHIELD BG80 TEE (8 PIECES)	1
Note: Please give the data from type plate of the motor			
2.8	2116776	FAN WHEEL BG71-80 TEE VP.	1
Note: Please give the data from type plate of the motor			
2.9	2043009	Fan housing BG80 TEE KIT	1
Note: Please give the data from type plate of the motor			
2.9A		> FAN HOUSING BG80 642300601 TEE	1
2.9B	2149062	> Srew f.fan cover BG71/80 TEE(4 Pieces)	1
Note: Please give the data from type plate of the motor			
2.10	2118375	TERMINAL BOX BG71/80 TEE KIT	1
Note: Please give the data from type plate of the motor			
2.10A	2116758	> TERMINAL BOX BOTTOM PART BG71-80 TEE VP.	1
Note: Please give the data from type plate of the motor			
2.10B	2116766	> TERMINAL BOX COVER BG71-80 TEE VP.	1
Note: Please give the data from type plate of the motor			
2.10C	2116835	> SCREW F.TERM.BOX BG71-112 TEE (4 PIECES)	1
Note: Please give the data from type plate of the motor			

Motor 0,75/2/80 F188 TEE IE3

Item	Article no.	Description	Quantity
2.10D	2116835	> SCREW F.TERM.BOX BG71-112 TEE (4 PIECES)	1
Note: Please give the data from type plate of the motor			
2.10E	2116783	> TERMINAL BOARD BG71-80 TEE KIT	1
Note: Please give the data from type plate of the motor			
		>> TERMINAL BOARD BG71-80 641611501 TEE	1
	2132505	>> FIXING TERMINAL BOARD BG63-80 TEE VP.	1
Note: Please give the data from type plate of the motor			

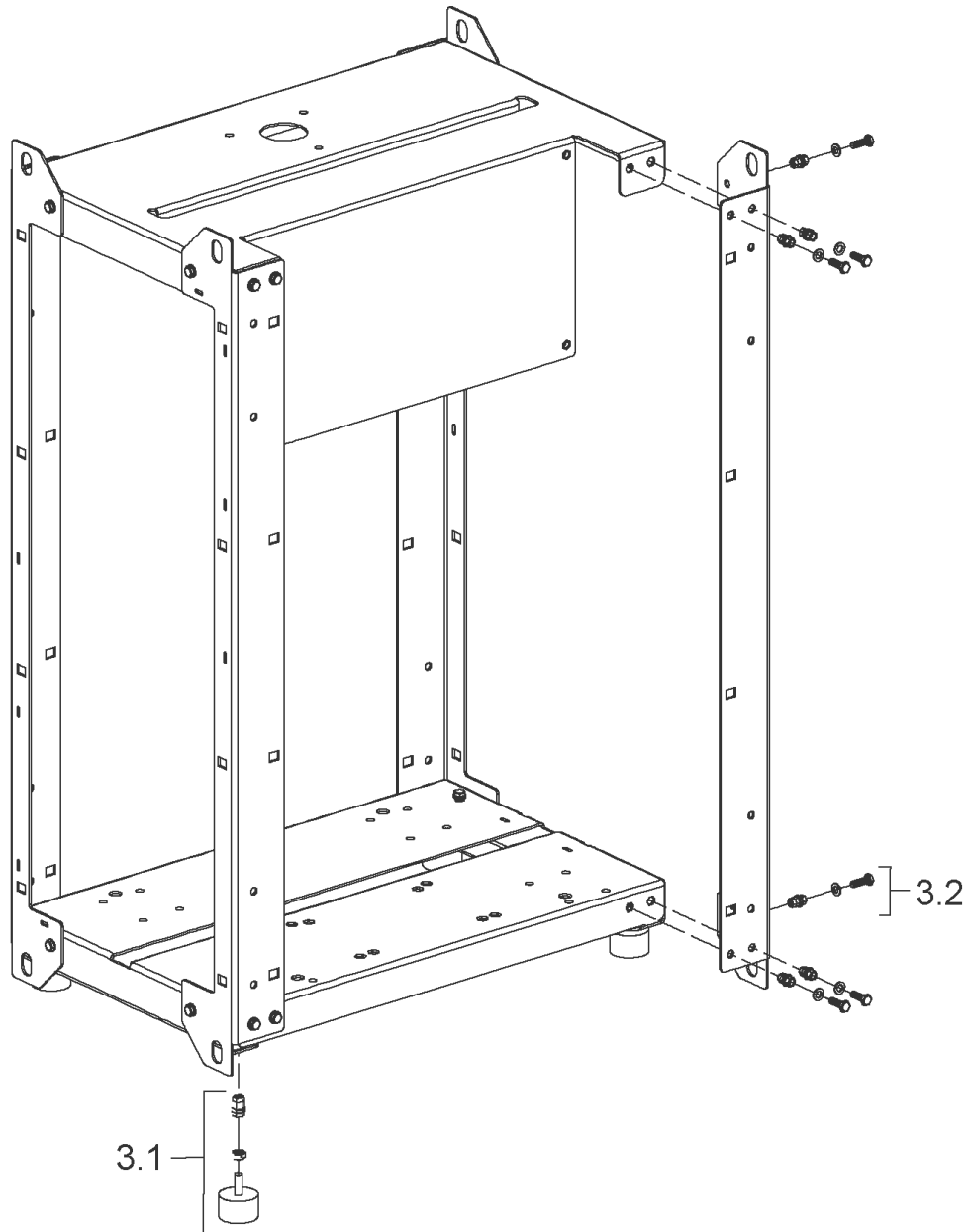


W080070-2-F188L 400V/50Hz 0.75kWIE3

Item	Article no.	Description	Quantity
2.1	2111306	FLANGE END SHIELD BG80F188 D.E.ELEC KIT	1
Note: Please give the data from type plate of the motor			
2.2	2111311	End shield BG80 V18 D.E.ELEC KIT	1
Note: Please give the data from type plate of the motor			
2.2A		> Flange IEC80 V18 (w/o thread)	1
2.2B	2111309	> CONDENSATE HOLE GASKET D5 VP.	1
Note: Please give the data from type plate of the motor			
2.3	2111313	SCREW M6X30 6.8 (4 PIECES)	1
Note: Please give the data from type plate of the motor			
2.4	2111324	THROWER D.36X4 VP.	1
Note: Please give the data from type plate of the motor			
2.5	2111333	CIRCLIP D.20 GB894.1 VP.	1
Note: Please give the data from type plate of the motor			
2.6	2155606	Ball bearing 6304 ZZ C3 E2 VP.	1
Note: Please give the data from type plate of the motor			
2.7	2111336	CIRCLIP D.52 GB893.1 VP.	1
Note: Please give the data from type plate of the motor			
2.8	2149087	Ball bearing 6204/ZZ-C3 E2 VP.	1
Note: Please give the data from type plate of the motor			
2.9	2111339	SPRING RING D.47 JB/T7590 VP.	1
Note: Please give the data from type plate of the motor			
2.10	2162607	End shield BG80 N.D.E.ELEC KIT	1
Note: Please give the data from type plate of the motor			
		> Flange IEC80 NDS with slot new	1
		> O-RING ID47.2*3.53 EPDM	1
2.11	2111319	SCREW M5X183 6.8 (4 PIECES)	1
Note: Please give the data from type plate of the motor			
2.12	2107778	FAN WHEEL BG71/80 ELEC KIT	1
Note: Please give the data from type plate of the motor			
2.12A		> FAN 110x15x15.3 GP2200 G/F20%	1
2.12B	2111321	> STOP-RING D.14,8x0,4 VP.	1
Note: Please give the data from type plate of the motor			
2.13	2107779	FAN HOOD BG80 ELEC KIT	1
Note: Please give the data from type plate of the motor			

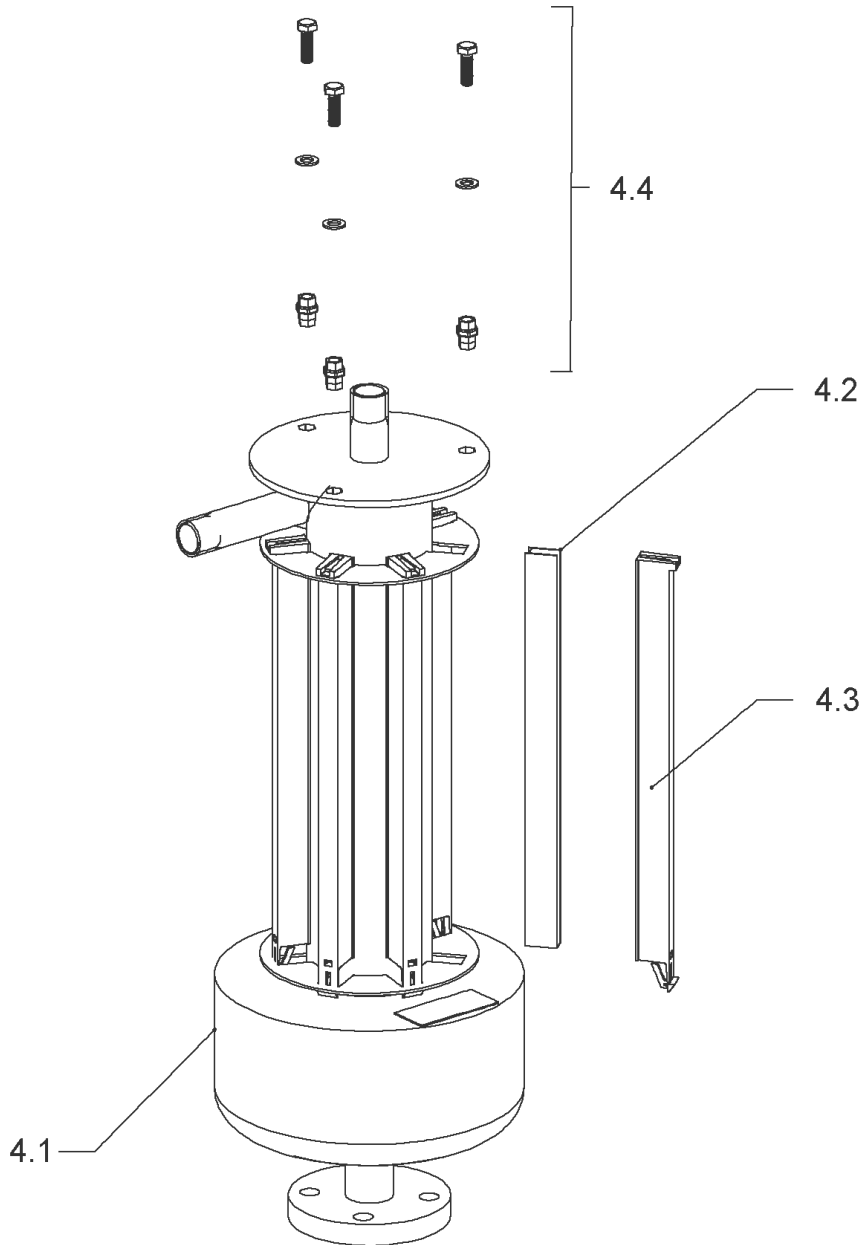
W080070-2-F188L 400V/50Hz 0.75kWIE3

Item	Article no.	Description	Quantity
2.13A		> FAN COVER IEC80 KTL ST14 T0.8 H60	1
2.13B	2111323	> SCREW M4X6 (4 PIECES)	1
Note: Please give the data from type plate of the motor			
2.15	2111330	TERMINAL BOX CPL.BG71/80 ELEC KIT	1
Note: Please give the data from type plate of the motor			
2.15A	2111325	> TERMINAL BOX COVER/GASK.BG71-90 ELEC KIT	1
Note: Please give the data from type plate of the motor			
2.15B		> Terminal Box Coupling ADC12 32.5mm M20	1
2.15C		> Terminal Box Base 3~ ADC12 IEC	1
2.15D	2111327	> TERMINAL BOARD 50X32 M4 3~ CPL. ELEC KIT	1
Note: Please give the data from type plate of the motor			
2.15E	2111328	> GASKETS/SCREWS F.TERM.BOX 71/80 ELEC KIT	1
Note: Please give the data from type plate of the motor			
2.15F		> Frame Closing IEC	1
2.16	2164075	Rotary shaft seal 20*35*7 VP.	1
2.17	2149109	Shaft seal ring 20x28x4 VP.	1
2.18	2164016	O-Ring ID47.2x3.53 EPDM VP.	1



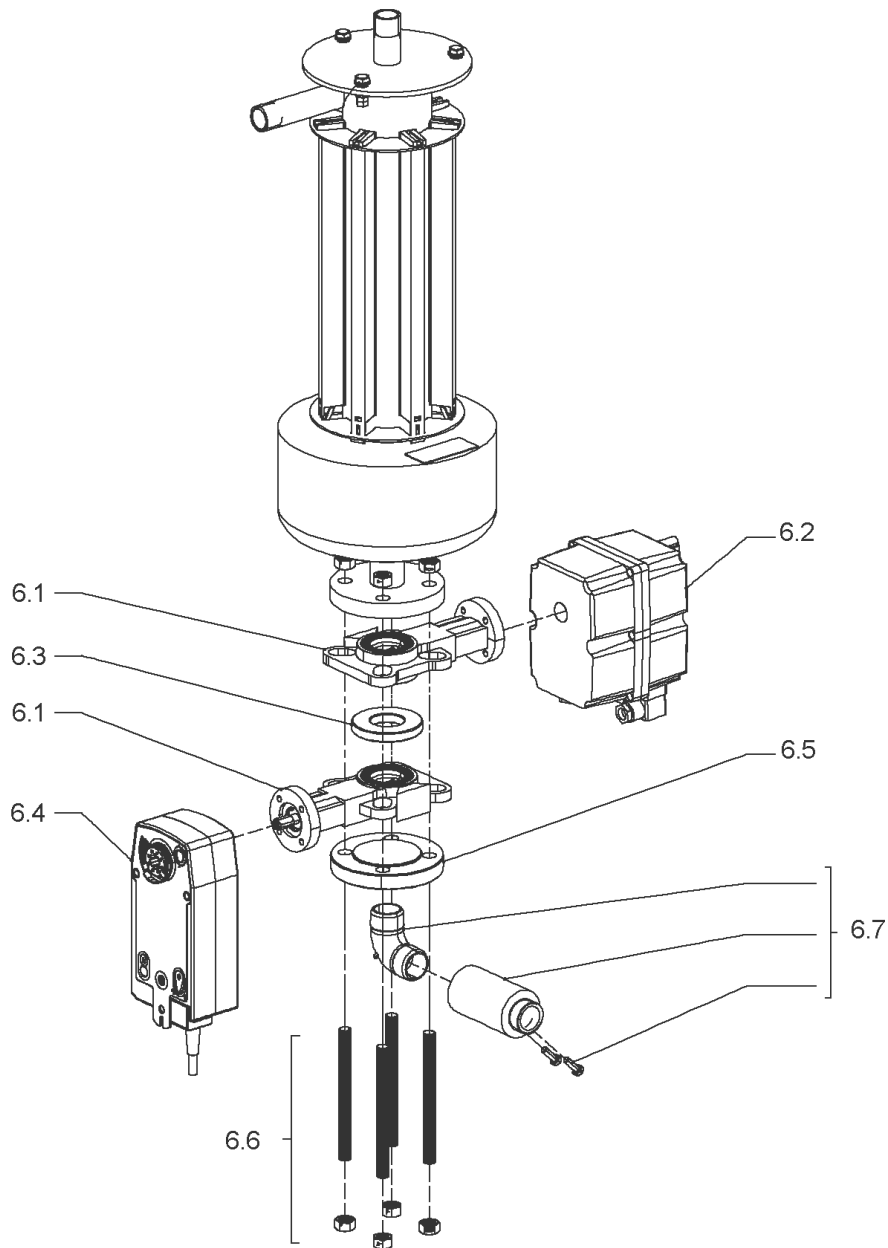
Frame SICLEAN Comfort T1 KIT (4215004)

Item	Article no.	Description	Quantity
3.1	4215041	VIBRATION DAMPER 50x30 KIT	1
3.2	4217153	Ground braid Kit	1



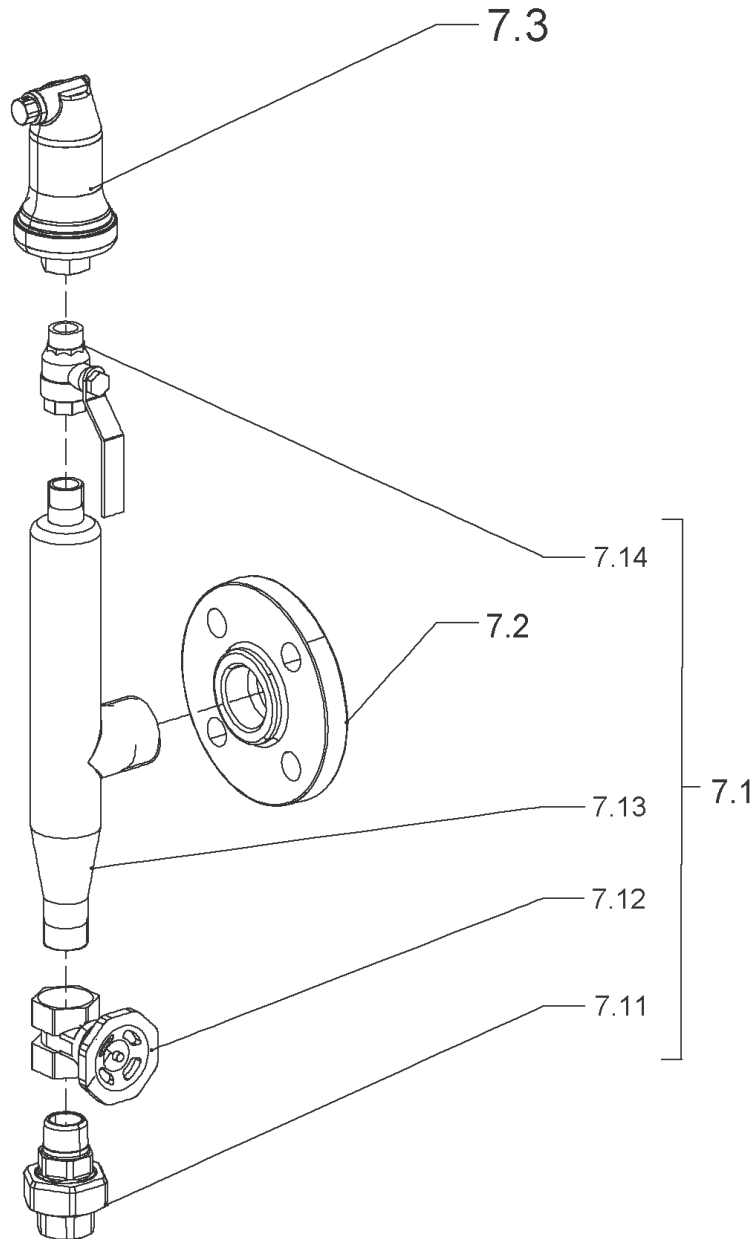
Separator SiClean COMFORT 12 KIT (4215042)

Item	Article no.	Description	Quantity
4.2		SEPARATOR_SICLEAN_COMFORT-12	1
4.3	4215044	BAR-MAGNETIC-300x23x11,5 VP.	1
4.1	4215045	Jacket. aim.Clean comf 300x23x11.5 VP.	1
4.4	4215046	Kit Screws M8X25	1



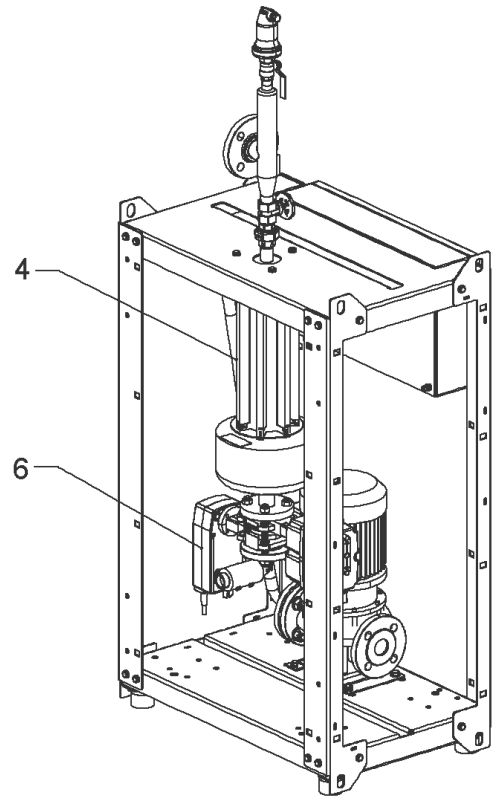
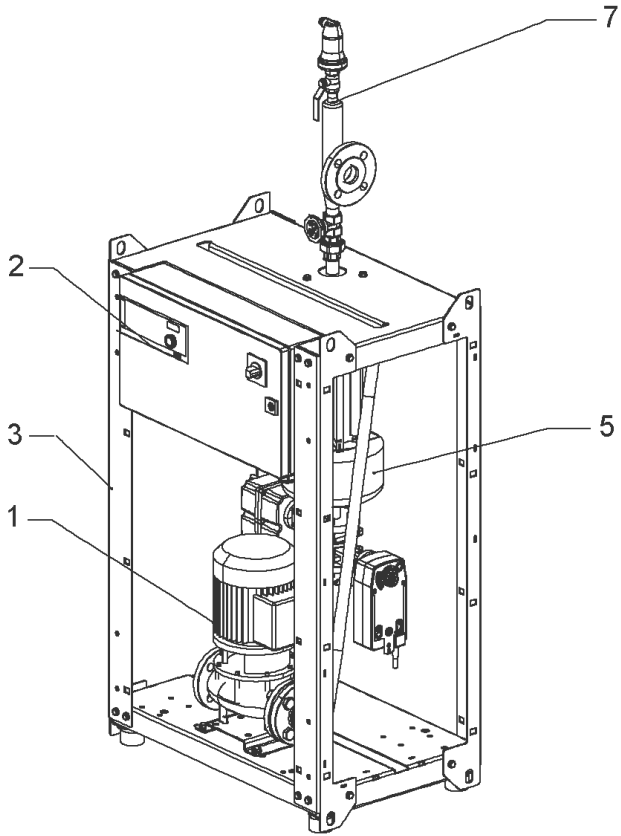
Purge SiClean comfort KIT (4215049)

Item	Article no.	Description	Quantity
6.1	4215050	BUTTERFLY VALVE _PN16_304_F05 VP.	1
6.2	4216698	SERVOMOTOR-24V VP.	1
6.3	4215055	SPACER DN25-71x34x10 VP.	1
6.4	4215056	SERVOMOT_SECURITE_NF20NmAC/DC-24V_3M VP.	1
6.5	4215057	CBV_1"_DN25_PN16_ACIER_ZN_BL VP.	1
6.6	4215058	STUD BOLT VP.	1
6.7	4215059	LEAK-SENSOR-1"-M/F KIT.	1



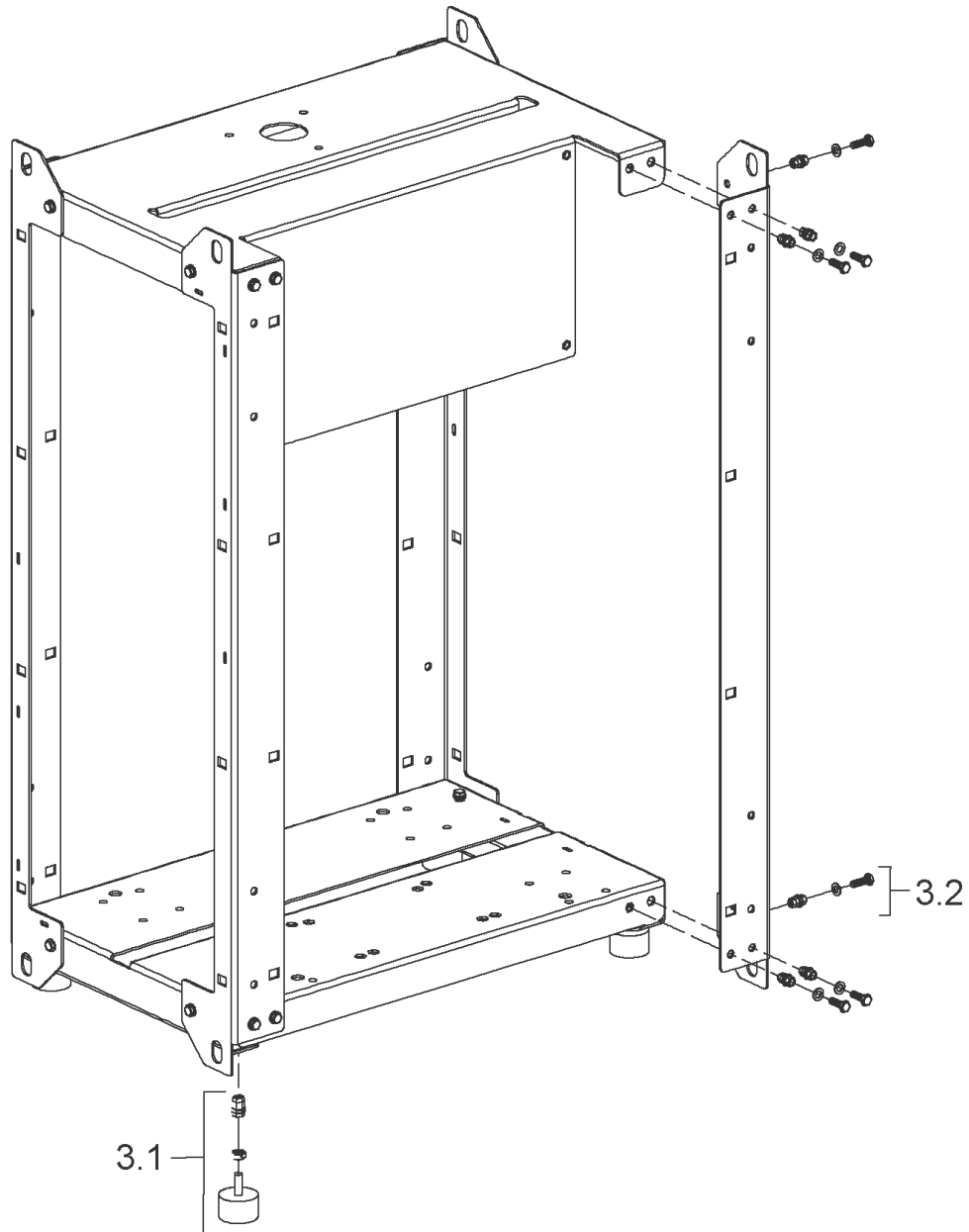
Separator outlet SiClean comf. 12 KIT (4215060)

Item	Article no.	Description	Quantity
7.1	4217926	De-aerator SiClean 12 Kit	1
7.11	4215092	> GF341-LAI-3/8"-MANC-UNION-M/F VP.	1
7.12	4215093	> GATE VALVE PD-3/8"-F/F-PN10-Laiton VP.	1
1.22	2131977	>> MODULE COVER/GASKET TL3/4 KIT	1
1.23	4215188	>> SCREW M5X16 DIN912 8.8 A2A (4pieces) VP.	1
1.24	2148160	>> Lock washer A5,3 DIN6797 ZN (4 pieces)	1
7.13	4202940	> Degazing unit SiClean comfort 12	1
7.14	4215096	> VALVE-BS-1/2"-M/F-PS10-BRASS-NICK VP.	1
7.2	4215095	CF_1"1/4_DN32_PN25_Stahl_ZN_BL VP.	1
7.3	4215097	STEAM TRAP BRASS FEM.1/2"-10B-110°C VP.	1



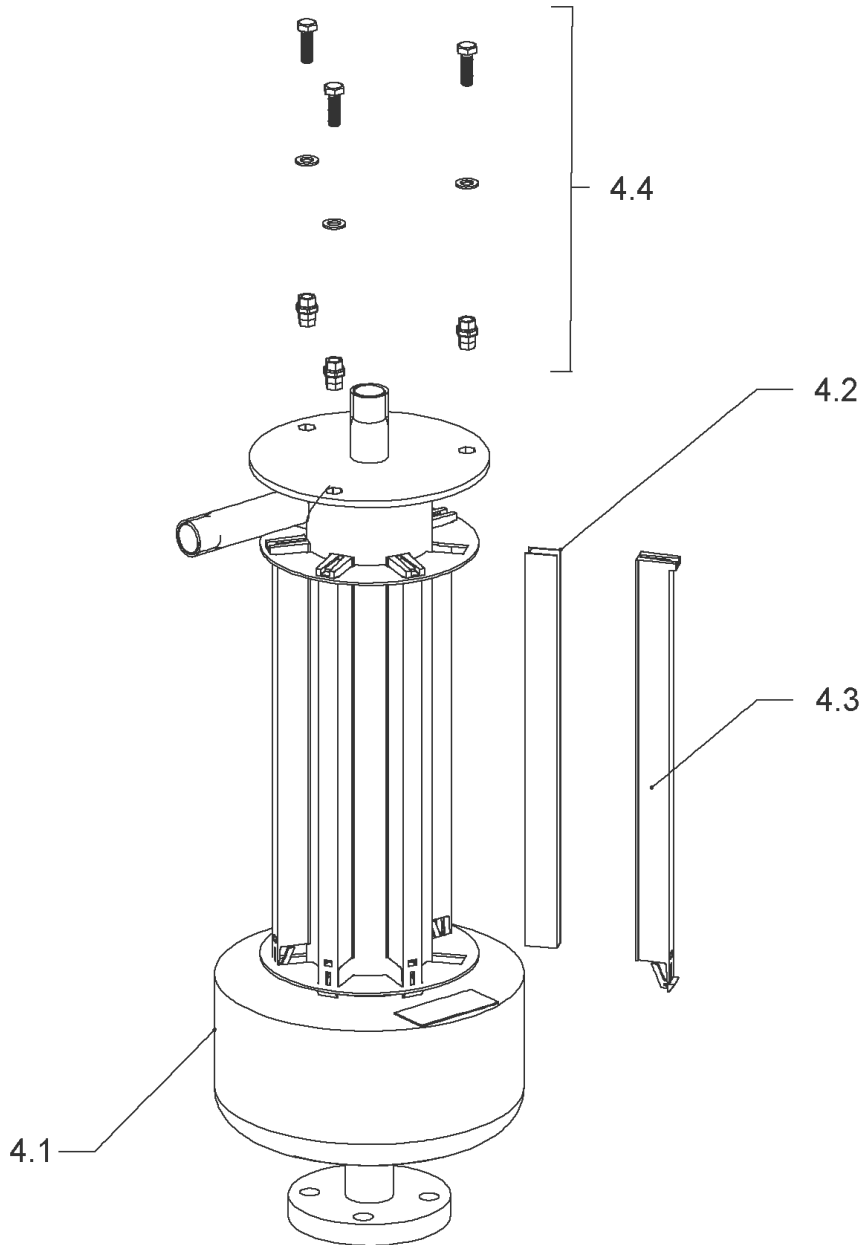
SiClean comfort_15 (4194908)

Item	Article no.	Description	Quantity
1		IPL32/105-0,75/2-IE2	1
2	4215003	KIT S-Control-SC-C-1x2,4A-T34-DOL-WM	1
3	4215004	Frame SICLEAN Comfort T1 KIT	1
4	4217103	Separator SiClean COMFORT 15 KIT	1
5	4217089	Link separator SiClean 15 KIT	1
6	4215049	Purge SiClean comfort KIT	1
7	4216859	Separator outlet SiClean conf. 15 KIT	1



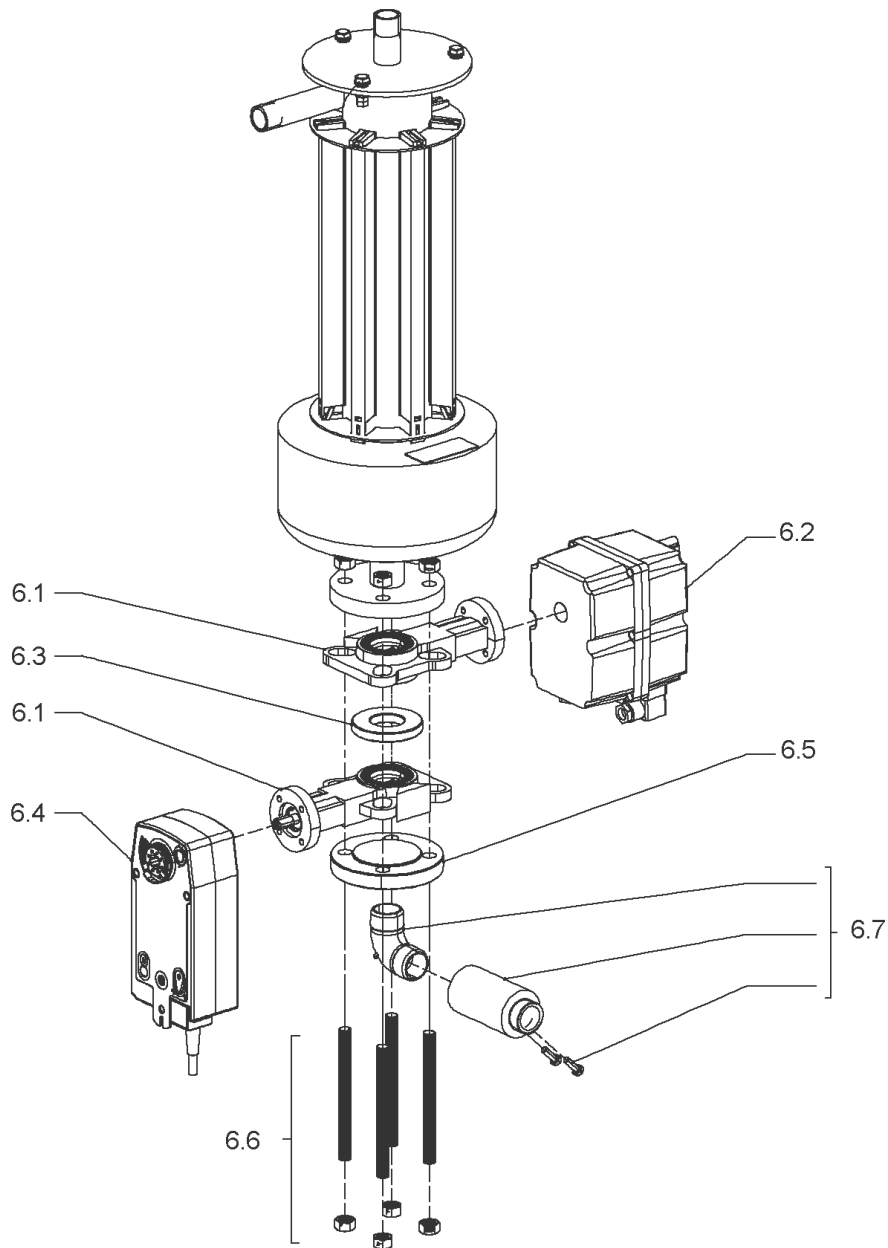
Frame SICLEAN Comfort T1 KIT (4215004)

Item	Article no.	Description	Quantity
3.1	4215041	VIBRATION DAMPER 50x30 KIT	1
3.2	4217153	Ground braid Kit	1



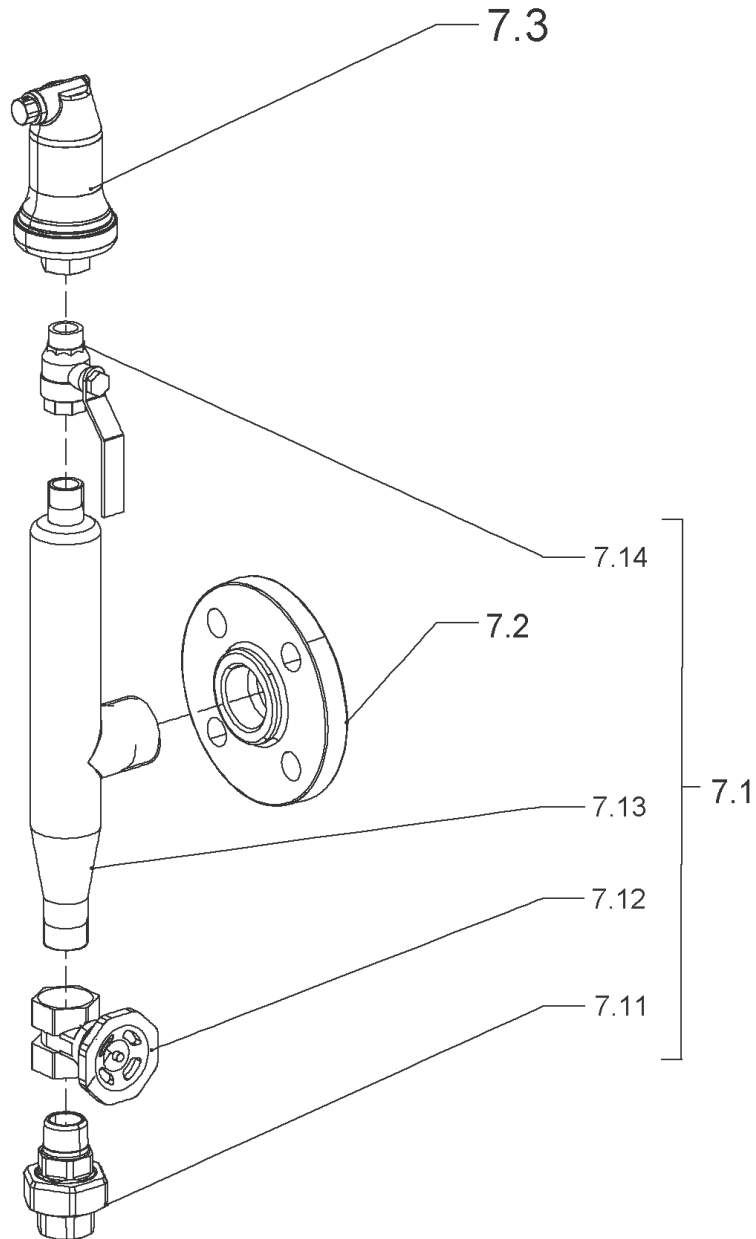
Separator SiClean COMFORT 15 KIT (4217103)

Item	Article no.	Description	Quantity
4.1		SEPARATOR_SICLEAN_COMFORT-15	1
4.2	4215044	BAR-MAGNETIC-300x23x11,5 VP.	1
4.3	4215045	Jacket. aim.Clean comf 300x23x11.5 VP.	1
4.4	4215046	Kit Screws M8X25	1



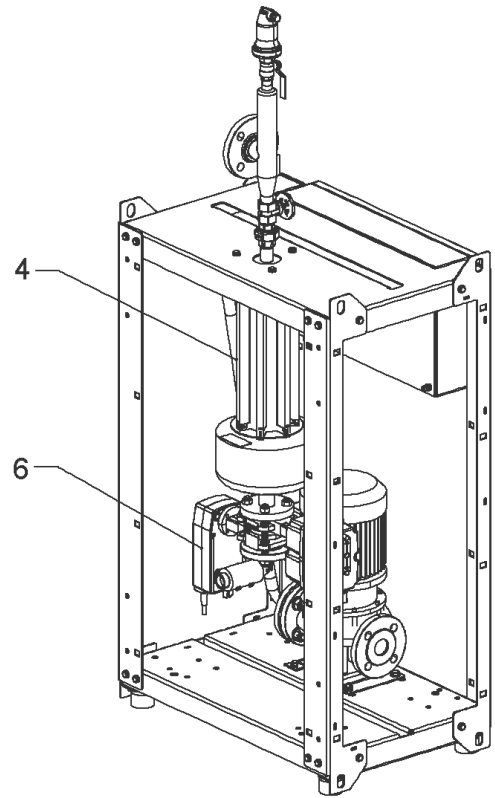
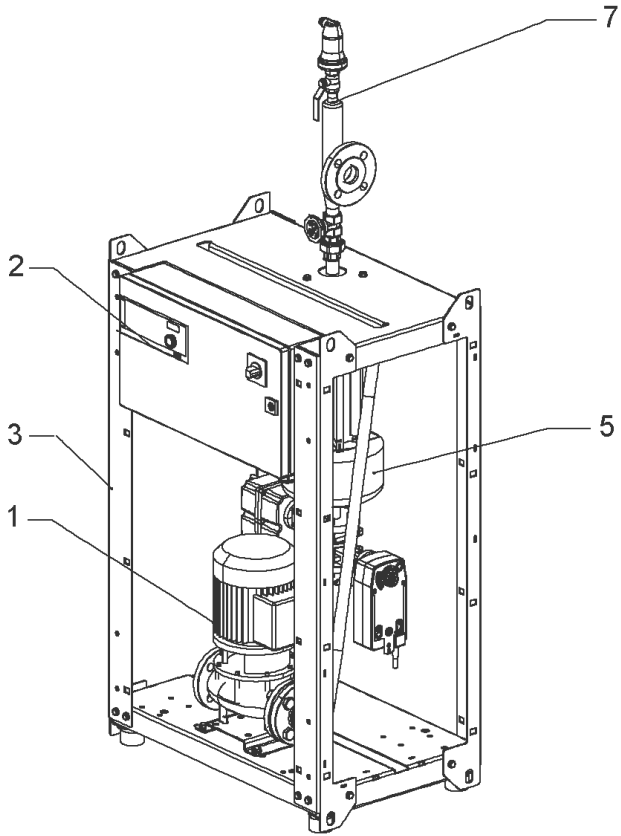
Purge SiClean comfort KIT (4215049)

Item	Article no.	Description	Quantity
6.1	4215050	BUTTERFLY VALVE _PN16_304_F05 VP.	1
6.2	4216698	SERVOMOTOR-24V VP.	1
6.3	4215055	SPACER DN25-71x34x10 VP.	1
6.4	4215056	SERVOMOT_SECURITE_NF20NmAC/DC-24V_3M VP.	1
6.5	4215057	CBV_1"_DN25_PN16_ACIER_ZN_BL VP.	1
6.6	4215058	STUD BOLT VP.	1
6.7	4215059	LEAK-SENSOR-1"-M/F KIT.	1



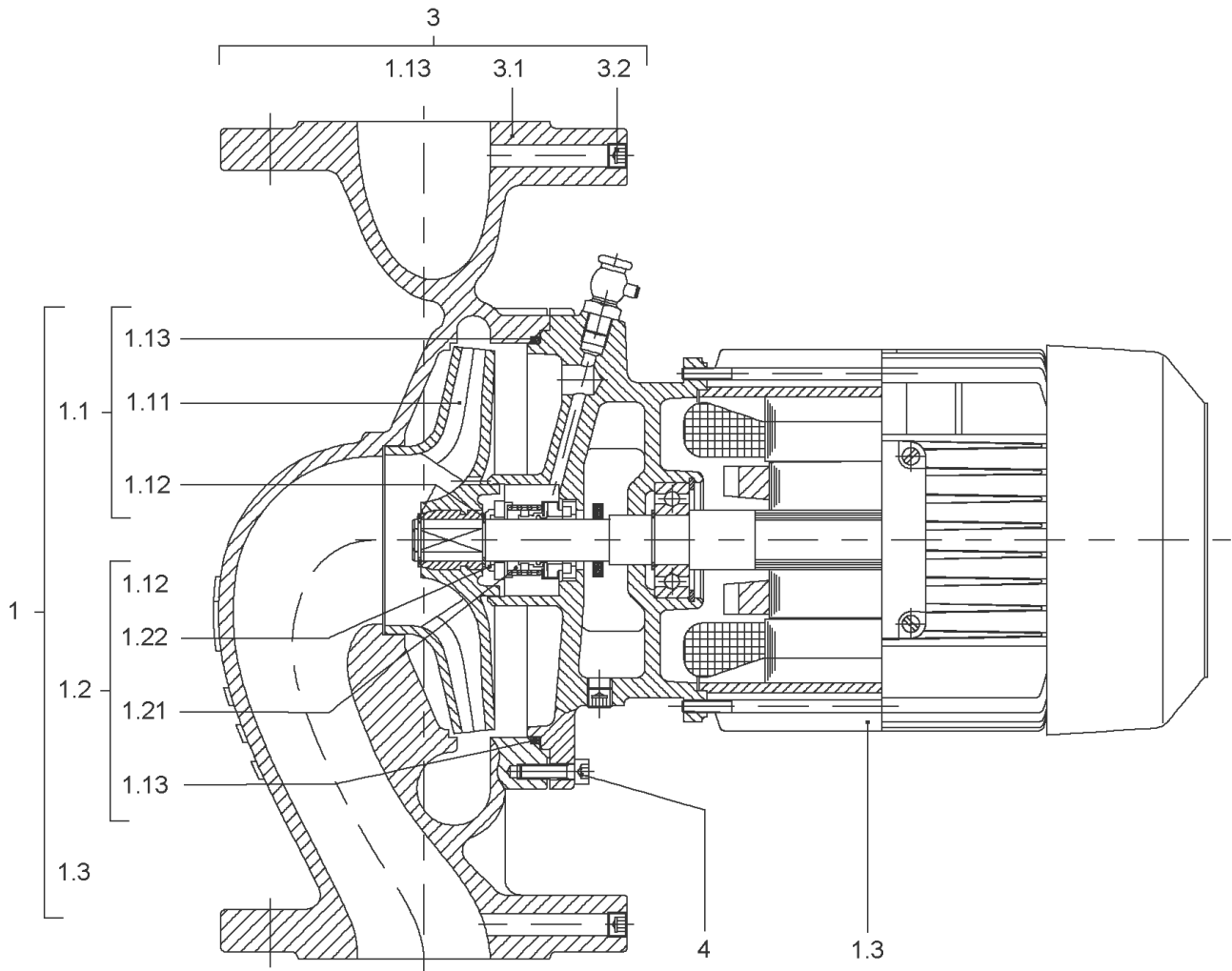
Separator outlet SiClean comf. 15 KIT (4216859)

Item	Article no.	Description	Quantity
7.1	4217143	De-aerator SiClean 15 Kit	1
7.11	4216786	> GF341-LAI-1/2"-MANC-UNION-M/F VP.	1
7.12	4216800	> GATE VALVE PD-1/2"-F/F-PN10-Laiton VP.	1
7.13		> Degazing unit SiClean comfort 15	1
7.14	4215096	> VALVE-BS-1/2"-M/F-PS10-BRASS-NICK VP.	1
7.2	4215095	CF_1"1/4_DN32_PN25_Stahl_ZN_BL VP.	1
7.3	4215097	STEAM TRAP BRASS FEM.1/2"-10B-110°C VP.	1



SiClean comfort_20 (4194909)

Item	Article no.	Description	Quantity
1		IPL32/105-0,75/2	1
2	4215003	KIT S-Control-SC-C-1x2,4A-T34-DOL-WM	1
3	4215004	Frame SICLEAN Comfort T1 KIT	1
4	4217104	Separator SiClean COMFORT 20 KIT	1
5	4217090	Link separator SiClean 20 KIT	1
6	4215049	Purge SiClean comfort KIT	1
7	4216860	Separator outlet SiClean conf. 20 KIT	1



IPL32/105-0,75/2

Item	Article no.	Description	Quantity
1	2166322	Exchange kit IPL32/105-0,75/2	1
1.1	2158353	> Impeller 32/130-112/17 PPO FE1630 KIT	1
1.11		>> Impeller 32/130-112/17 PPO FE1630 fin	1
1.12	2123932	>> CIRCLIP 17X1 DIN471 A2 1.4122 VP.	1
1.13	2046358	>> O-RING ID.164,7X3,53 E7518 VP.	1
1.2	122097593	> Mechanical seal ID.17 AQ1EGG KIT	1
1.12	2123932	>> CIRCLIP 17X1 DIN471 A2 1.4122 VP.	1
1.13	2010300	>> O-RING ID.107,54X3,53	1
1.13	2010301	>> O-RING ID.117,07X3,53	1
1.13	2054183	>> O-RING ID.158,34X3,53 E7518	1
Note: TO/ BIS/ JUSQU'À: 03/03			
1.13	2046358	>> O-RING ID.164,7X3,53 E7518 VP.	1
Note: FROM/ AB/ À PARTIR: 04/03			
1.21		>> MECHANICAL SEAL ID.17 AQ1EGG	1
1.22		>> Distance ring D.17/30X9 PPO FE1630	1
1.3		> Motor	1
		Spare parts motor 0,75/2/80 F188 IE3	1
3	2161144	Pump housing I32/130-F188 16 GG KIT	1
1.13	2046358	> O-RING ID.164,7X3,53 E7518 VP.	1
3.1		> Pump housing IP32/130-F188 16 GG WILO	1
4	2052495	SCREW M6X20 ISO4762 8.8 (8 PIECES)	1

Motor-Typenschild / Motor type plate / Plaque identité moteur

Bei Ersatzteilbestellung Motorhersteller / Motordaten beachten!

Consider motor manufacturers / motor data for order of spare parts!

Pour les commandes de pièce détachée, indiquer le fabricant / les données du moteur!

Motor-Nummer
motor number
numéro du moteur

ATB

3~Mot.	AF132S/2F-11S+E2/0509	IE3-88,1%	
S1	132S IMV1	224039411-1	522058X
IP 55	Th. Cl. 155(F)	SCHWINGGROESSENSTUFE B	
KD_NR.2064705			
kW	V	Hz	A
7,5	Y/Δ 690/400	50	7,9 / 13,7
7,5	D460	60	11,8
Made in Germany		50 kg	EN 60034

Motor-Nummer
motor number
numéro du moteur

TEE

		ELECTRIC MOTORS ARCELIK A.S. - TURKEY				IE3	
3~Mot Q2E FS 80M2D80-F188cl F		S1		Kg 13			
N° 0001		04012011		IP55 IM-		IEC 60034 VDE 0530	
V	Hz	min ⁻¹	kW	Cosφ	A	η	Load Efficiency
230/400	50	2885	1.1	0.83	4.2 / 2.4	IE3-79.6%	%50 76,1%
265/460	60	3460	1.27	0.83	4.0 / 2.3		%75 79,1%

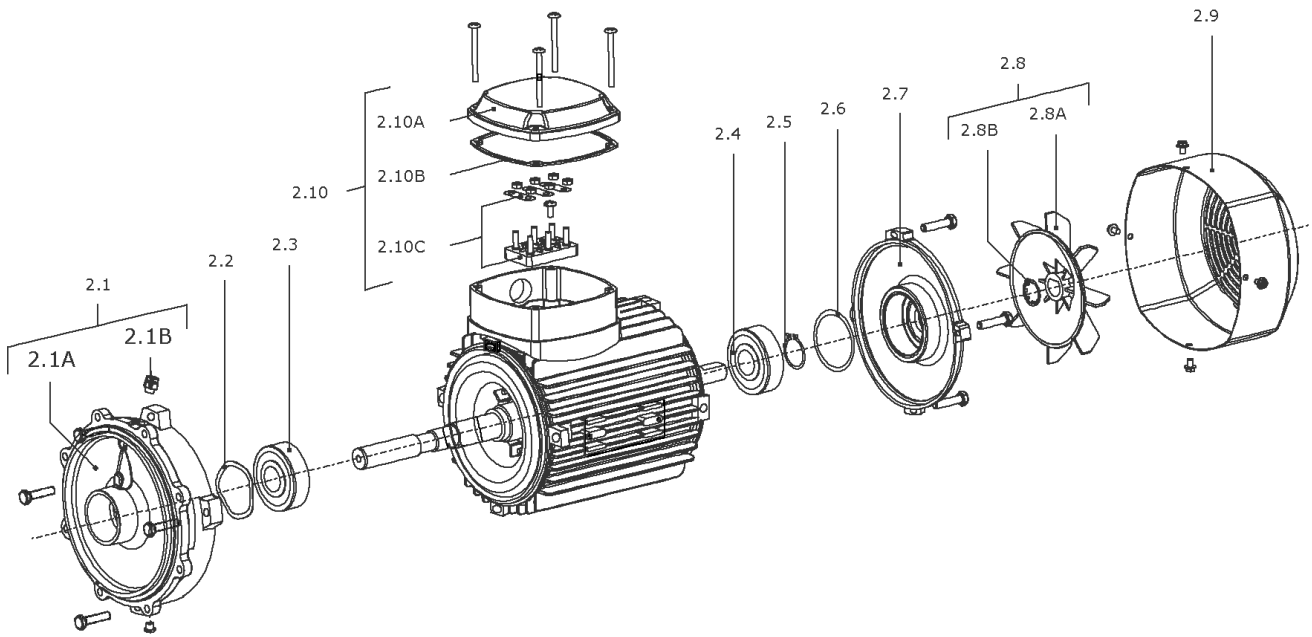
ELEC

Motor-Nummer
motor number
numéro du moteur

3~Induction Motor			
Made by WILLO Group			
3501437	W080090-2-F188		0902.001
Class F	S1	IP55	13.5kg EN60034
50Hz	1.10kW	2850min ⁻¹	60Hz 1.29kW 3435min ⁻¹
Y/Δ	230/400V	4.02/2.32A	Y 440-480V 2.40-2.32A
Cosφ =0.82	IE2-81.5%		Cosφ =0.85 IE3-82.5%

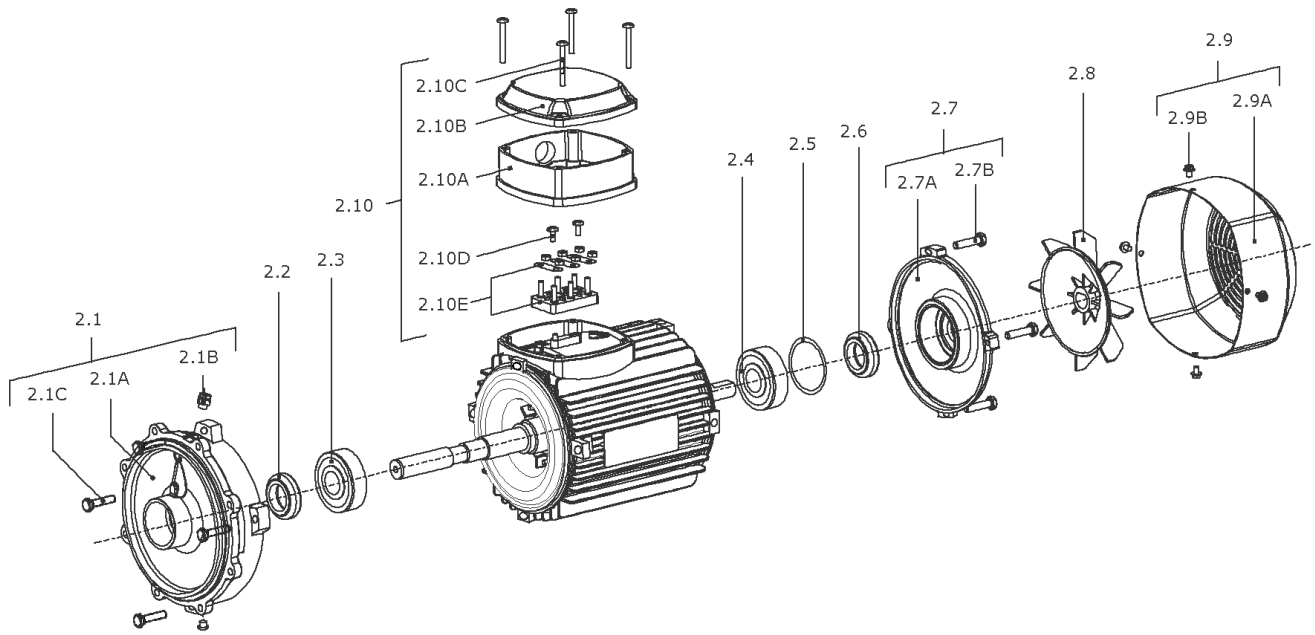
Spare parts motor 0,75/2/80 F188 IE3

Item	Description	Quantity
ATB	MOTOR 0,75/2/80 F188 ATB IE3	1
TEE	Motor 0,75/2/80 F188 TEE IE3	1
ELEC	W080070-2-F188L 400V/50Hz 0.75kWIE3	1
Note: Motor 3504205		
ELEC	W071080-2-F188L T0.75-405YIE3F55	1
Note: Motor 3512303		



MOTOR 0,75/2/80 F188 ATB IE3

Item	Article no.	Description	Quantity
2.1	2125448	END SHIELD BG71/80 D.E.ATB KIT	1
Note: Please give the data from type plate of the motor			
2.1A		> END SHIELD LF71/80 D.E.567836 ATB	1
2.1B	2027201	> BLOWGUN R1/8" VP.	1
Note: Please give the data from type plate of the motor			
2.2	2090403	SHIM BALL BEARING BG71 ATB VP.	1
Note: Please give the data from type plate of the motor			
2.3	121084499	BALL BEARING 6204/2Z-C3 (HT) VP.	1
Note: Please give the data from type plate of the motor			
2.4	122097891	BALL BEARING 6202/2Z-C3 (HT) VP.	1
Note: Please give the data from type plate of the motor			
2.5	2123932	CIRCLIP 17X1 DIN471 A2 1.4122 VP.	1
Note: Please give the data from type plate of the motor			
2.5	2046120	CIRCLIP 40X1,75 DIN472 A2	1
Note: Please give the data from type plate of the motor			
2.6	2096271	SPACER DISC BG71/80 ATB VP.	1
Note: Please give the data from type plate of the motor			
2.7	2125436	END SHIELD BG71/80 N.D.E.ATB VP.	1
Note: Please give the data from type plate of the motor			
2.8	122093297	FAN WHEEL BG71 ATB KIT	1
Note: Please give the data from type plate of the motor			
2.8A		> FAN WHEEL BG71/80 106152 ATB	1
2.8B	2123923	> CORRUGATED SLEEVE RING BG71 ATB VP.	1
Note: Please give the data from type plate of the motor			
2.9	2046448	FAN HOUSING BG71/80 ATB VP.	1
Note: Please give the data from type plate of the motor			
2.10	2123996	TERMINAL BOX CPL.BG71-80 ATB KIT	1
Note: Please give the data from type plate of the motor			
2.10A	2114271	> Term.box cover+gasket BG71/80 ATB VP.	1
Note: Please give the data from type plate of the motor			
2.10C	2096208	> TERMINAL BOARD BG71/80 ATB VP.	1
Note: Please give the data from type plate of the motor			

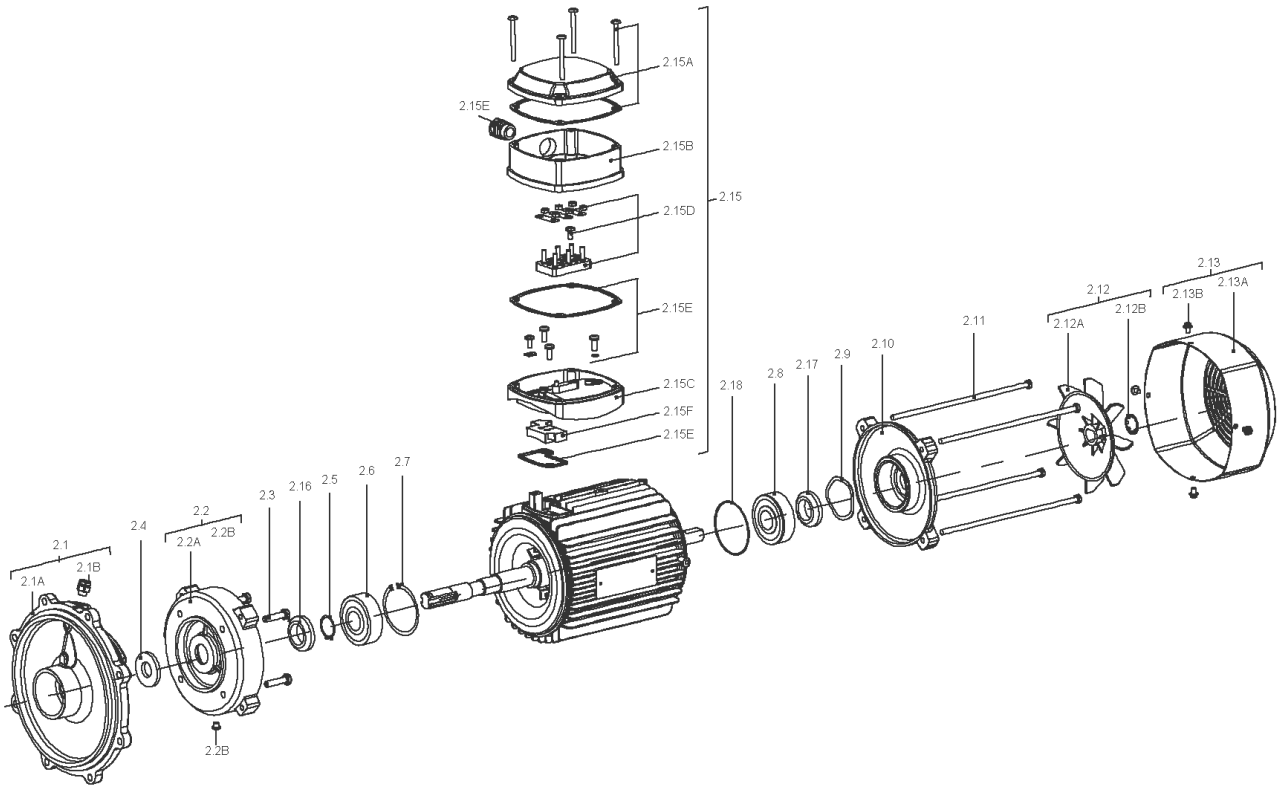


Motor 0,75/2/80 F188 TEE IE3

Item	Article no.	Description	Quantity
2.1	2116810	END SHIELD BG80-F188 D.E.TEE KIT	1
Note: Please give the data from type plate of the motor			
2.1A		> END SHIELD BG80 644304501-K D.E.TEE	1
2.1B	2027201	> BLOWGUN R1/8" VP.	1
Note: Please give the data from type plate of the motor			
2.1C	2118355	> SCREW F.END SHIELD BG80 TEE (8 PIECES)	1
Note: Please give the data from type plate of the motor			
2.3	2046960	BALL BEARING 6204/2RS-C3 (HT) VP.	1
Note: Please give the data from type plate of the motor			
2.4	121084499	BALL BEARING 6204/2Z-C3 (HT) VP.	1
Note: Please give the data from type plate of the motor			
2.5	2118367	SPACER DISK BG80 TEE VP.	1
Note: Please give the data from type plate of the motor			
2.6	2096377	JOINT RING 20X30X7 TEE VP.	1
2.7	2116831	END SHIELD BG80 N.D.E.TEE KIT	1
Note: Please give the data from type plate of the motor			
2.7A		> END SHIELD BG80 643407501 N.D.E.TEE	1
2.7B	2118355	> SCREW F.END SHIELD BG80 TEE (8 PIECES)	1
Note: Please give the data from type plate of the motor			
2.8	2116776	FAN WHEEL BG71-80 TEE VP.	1
Note: Please give the data from type plate of the motor			
2.9	2043009	Fan housing BG80 TEE KIT	1
Note: Please give the data from type plate of the motor			
2.9A		> FAN HOUSING BG80 642300601 TEE	1
2.9B	2149062	> Srew f.fan cover BG71/80 TEE(4 Pieces)	1
Note: Please give the data from type plate of the motor			
2.10	2118375	TERMINAL BOX BG71/80 TEE KIT	1
Note: Please give the data from type plate of the motor			
2.10A	2116758	> TERMINAL BOX BOTTOM PART BG71-80 TEE VP.	1
Note: Please give the data from type plate of the motor			
2.10B	2116766	> TERMINAL BOX COVER BG71-80 TEE VP.	1
Note: Please give the data from type plate of the motor			
2.10C	2116835	> SCREW F.TERM.BOX BG71-112 TEE (4 PIECES)	1
Note: Please give the data from type plate of the motor			

Motor 0,75/2/80 F188 TEE IE3

Item	Article no.	Description	Quantity
2.10D	2116835	> SCREW F.TERM.BOX BG71-112 TEE (4 PIECES)	1
Note: Please give the data from type plate of the motor			
2.10E	2116783	> TERMINAL BOARD BG71-80 TEE KIT	1
Note: Please give the data from type plate of the motor			
		>> TERMINAL BOARD BG71-80 641611501 TEE	1
	2132505	>> FIXING TERMINAL BOARD BG63-80 TEE VP.	1
Note: Please give the data from type plate of the motor			

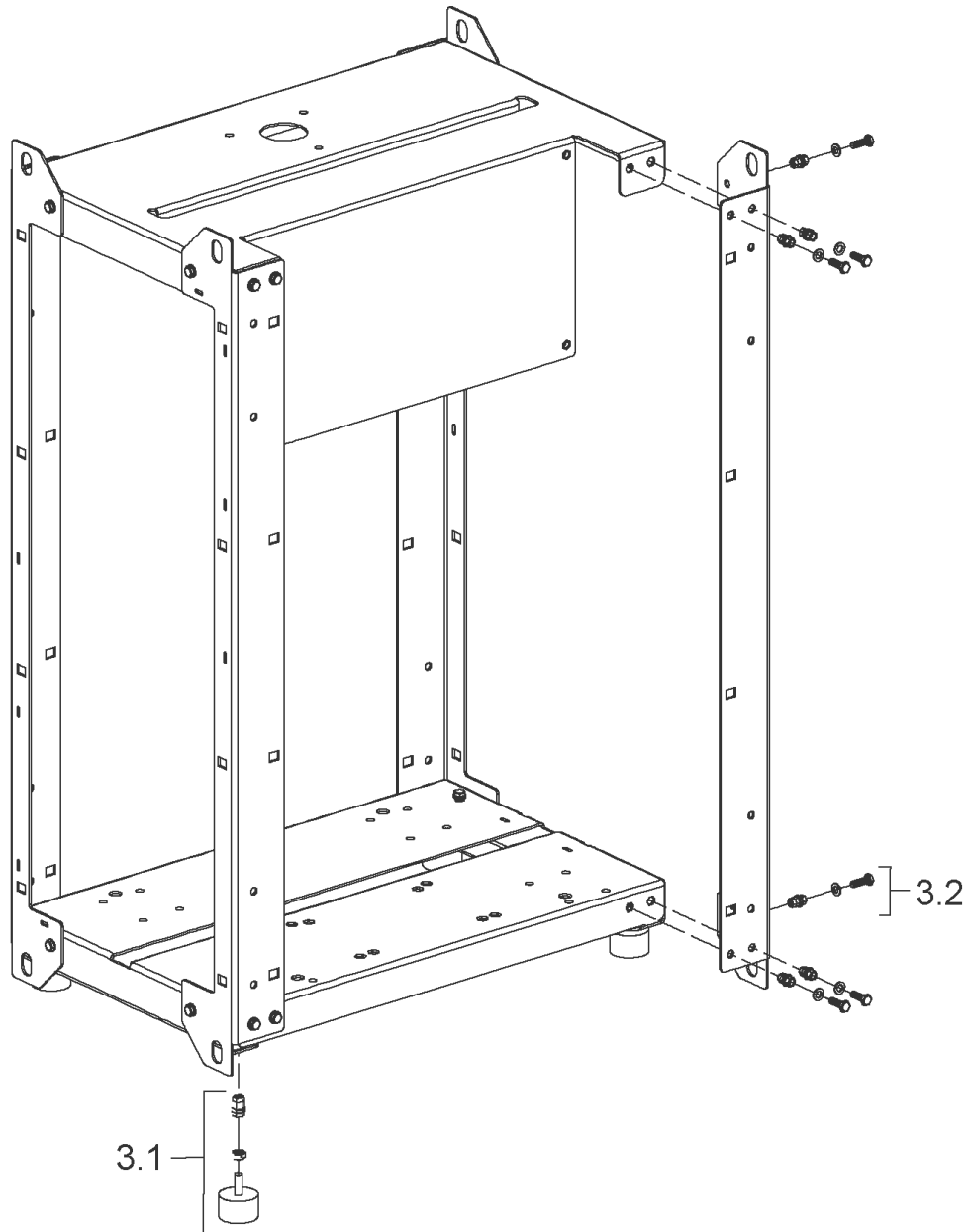


W080070-2-F188L 400V/50Hz 0.75kWIE3

Item	Article no.	Description	Quantity
2.1	2111306	FLANGE END SHIELD BG80F188 D.E.ELEC KIT	1
Note: Please give the data from type plate of the motor			
2.2	2111311	End shield BG80 V18 D.E.ELEC KIT	1
Note: Please give the data from type plate of the motor			
2.2A		> Flange IEC80 V18 (w/o thread)	1
2.2B	2111309	> CONDENSATE HOLE GASKET D5 VP.	1
Note: Please give the data from type plate of the motor			
2.3	2111313	SCREW M6X30 6.8 (4 PIECES)	1
Note: Please give the data from type plate of the motor			
2.4	2111324	THROWER D.36X4 VP.	1
Note: Please give the data from type plate of the motor			
2.5	2111333	CIRCLIP D.20 GB894.1 VP.	1
Note: Please give the data from type plate of the motor			
2.6	2155606	Ball bearing 6304 ZZ C3 E2 VP.	1
Note: Please give the data from type plate of the motor			
2.7	2111336	CIRCLIP D.52 GB893.1 VP.	1
Note: Please give the data from type plate of the motor			
2.8	2149087	Ball bearing 6204/ZZ-C3 E2 VP.	1
Note: Please give the data from type plate of the motor			
2.9	2111339	SPRING RING D.47 JB/T7590 VP.	1
Note: Please give the data from type plate of the motor			
2.10	2162607	End shield BG80 N.D.E.ELEC KIT	1
Note: Please give the data from type plate of the motor			
		> Flange IEC80 NDS with slot new	1
		> O-RING ID47.2*3.53 EPDM	1
2.11	2111319	SCREW M5X183 6.8 (4 PIECES)	1
Note: Please give the data from type plate of the motor			
2.12	2107778	FAN WHEEL BG71/80 ELEC KIT	1
Note: Please give the data from type plate of the motor			
2.12A		> FAN 110x15x15.3 GP2200 G/F20%	1
2.12B	2111321	> STOP-RING D.14,8x0,4 VP.	1
Note: Please give the data from type plate of the motor			
2.13	2107779	FAN HOOD BG80 ELEC KIT	1
Note: Please give the data from type plate of the motor			

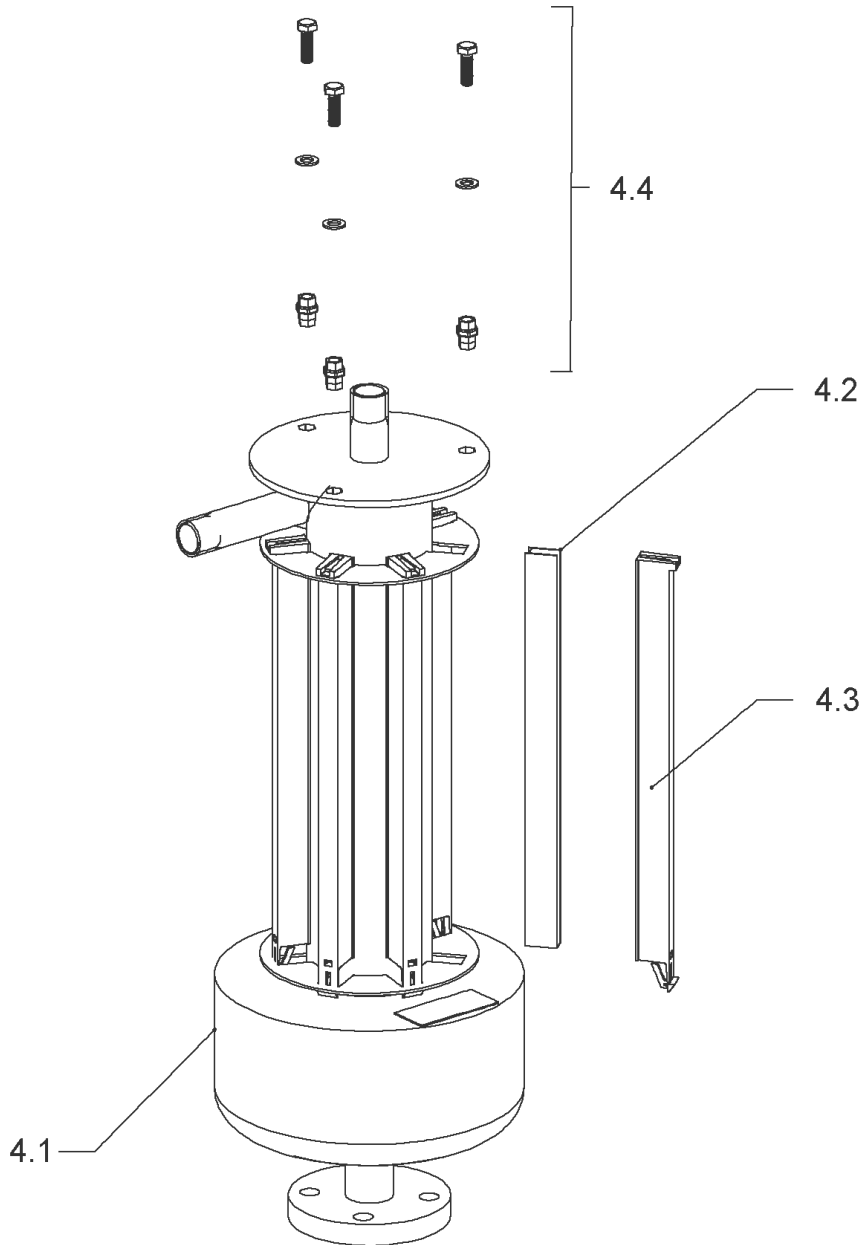
W080070-2-F188L 400V/50Hz 0.75kWIE3

Item	Article no.	Description	Quantity
2.13A		> FAN COVER IEC80 KTL ST14 T0.8 H60	1
2.13B	2111323	> SCREW M4X6 (4 PIECES)	1
Note: Please give the data from type plate of the motor			
2.15	2111330	TERMINAL BOX CPL.BG71/80 ELEC KIT	1
Note: Please give the data from type plate of the motor			
2.15A	2111325	> TERMINAL BOX COVER/GASK.BG71-90 ELEC KIT	1
Note: Please give the data from type plate of the motor			
2.15B		> Terminal Box Coupling ADC12 32.5mm M20	1
2.15C		> Terminal Box Base 3~ ADC12 IEC	1
2.15D	2111327	> TERMINAL BOARD 50X32 M4 3~ CPL. ELEC KIT	1
Note: Please give the data from type plate of the motor			
2.15E	2111328	> GASKETS/SCREWS F.TERM.BOX 71/80 ELEC KIT	1
Note: Please give the data from type plate of the motor			
2.15F		> Frame Closing IEC	1
2.16	2164075	Rotary shaft seal 20*35*7 VP.	1
2.17	2149109	Shaft seal ring 20x28x4 VP.	1
2.18	2164016	O-Ring ID47.2x3.53 EPDM VP.	1



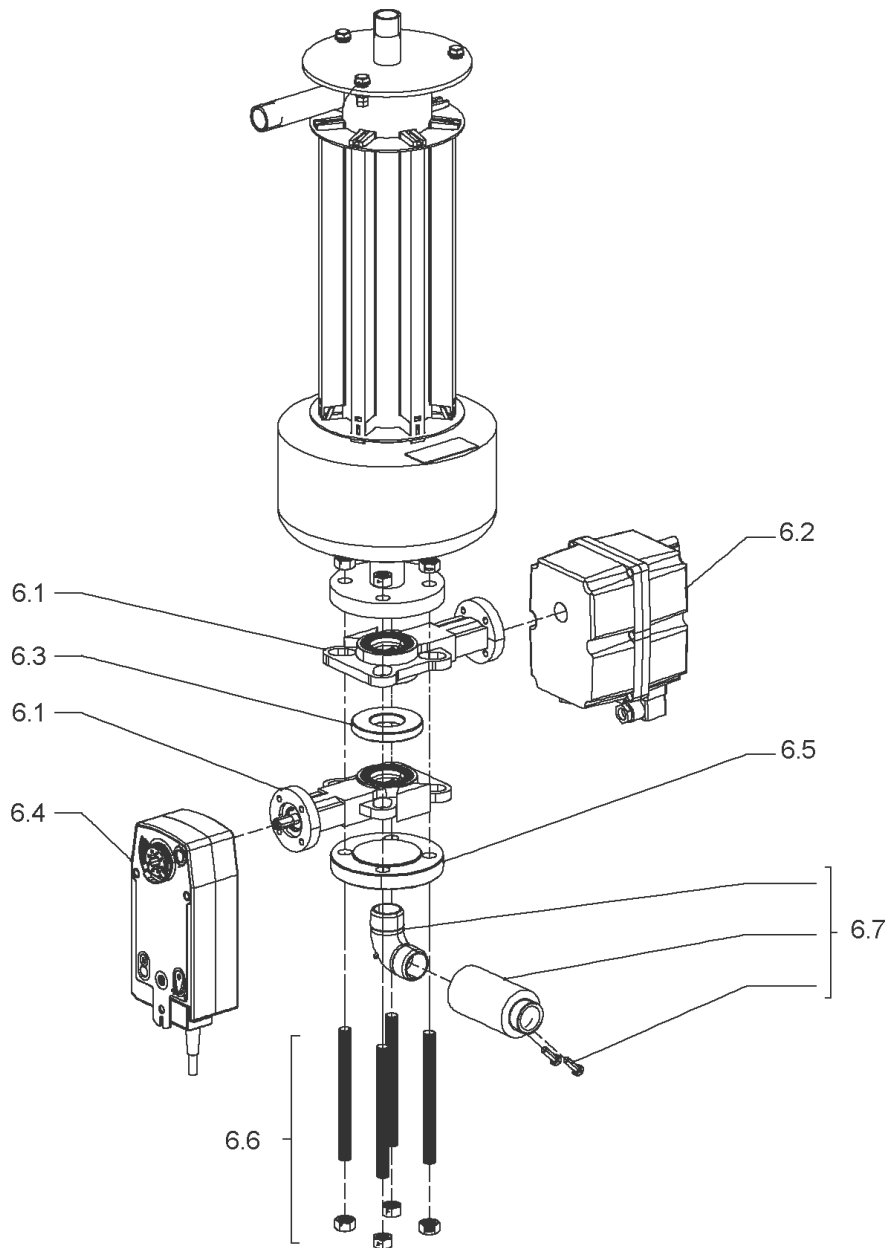
Frame SICLEAN Comfort T1 KIT (4215004)

Item	Article no.	Description	Quantity
3.1	4215041	VIBRATION DAMPER 50x30 KIT	1
3.2	4217153	Ground braid Kit	1



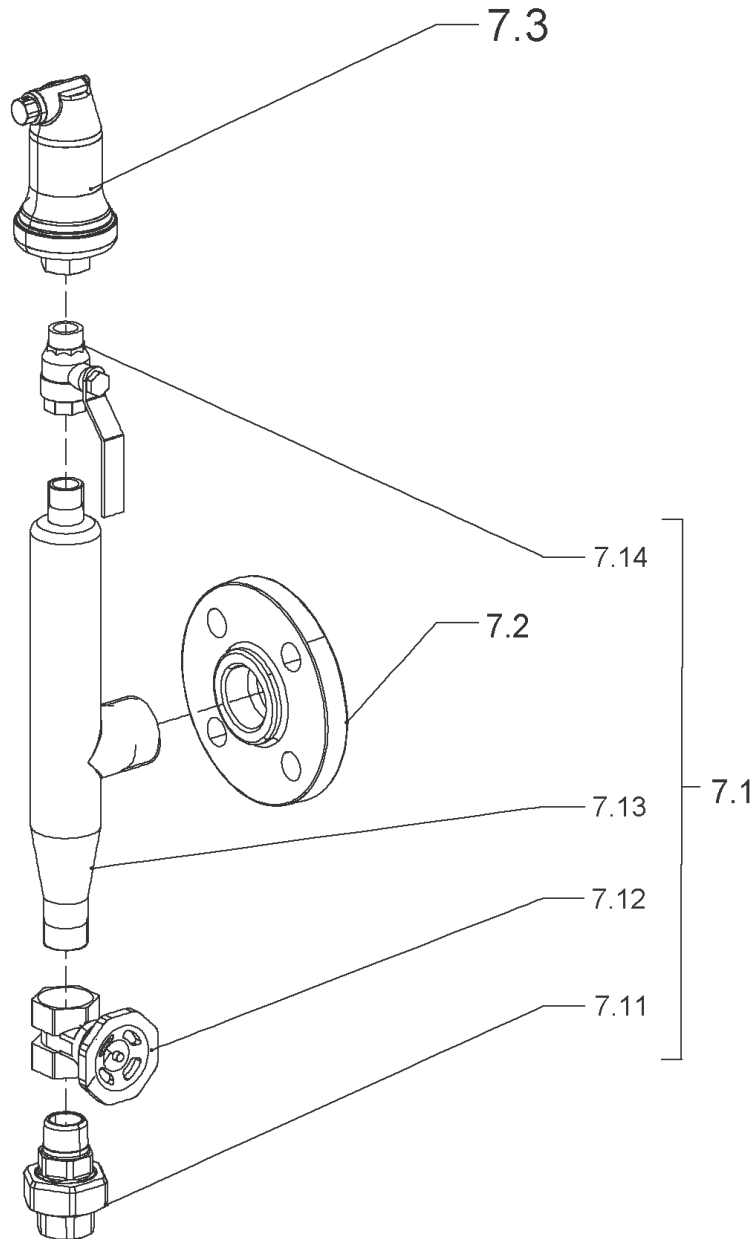
Separator SiClean COMFORT 20 KIT (4217104)

Item	Article no.	Description	Quantity
4.1		SEPARATOR_SICLEAN_COMFORT-20	1
4.2	4215044	BAR-MAGNETIC-300x23x11,5 VP.	1
4.3	4215045	Jacket. aim.Clean comf 300x23x11.5 VP.	1
4.4	4215046	Kit Screws M8X25	1



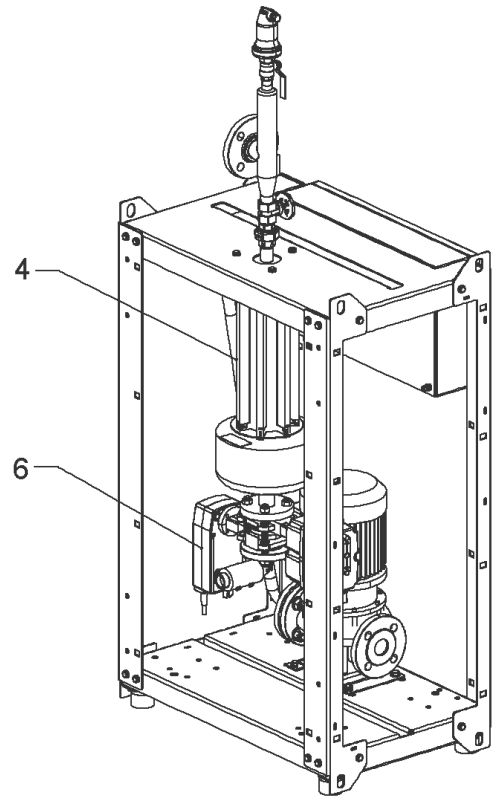
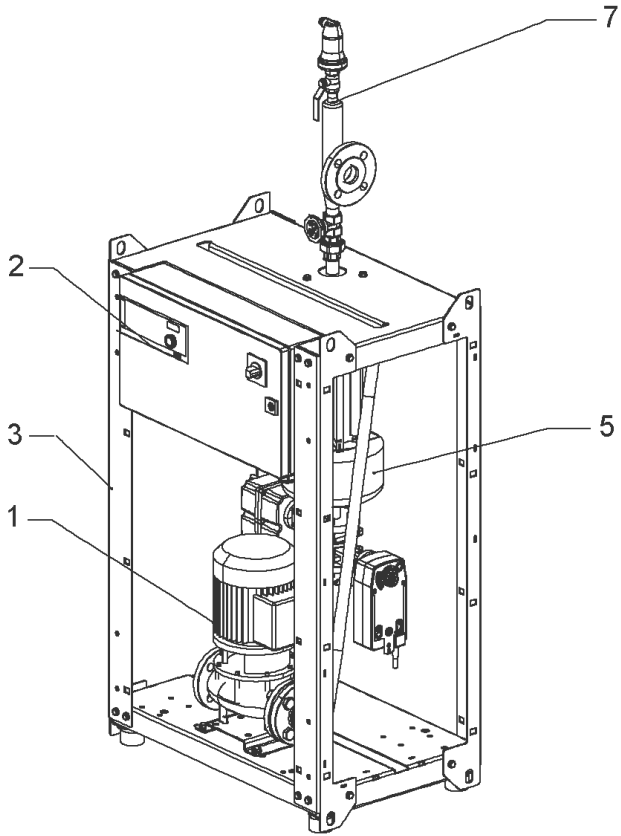
Purge SiClean comfort KIT (4215049)

Item	Article no.	Description	Quantity
6.1	4215050	BUTTERFLY VALVE _PN16_304_F05 VP.	1
6.2	4216698	SERVOMOTOR-24V VP.	1
6.3	4215055	SPACER DN25-71x34x10 VP.	1
6.4	4215056	SERVOMOT_SECURITE_NF20NmAC/DC-24V_3M VP.	1
6.5	4215057	CBV_1"_DN25_PN16_ACIER_ZN_BL VP.	1
6.6	4215058	STUD BOLT VP.	1
6.7	4215059	LEAK-SENSOR-1"-M/F KIT.	1



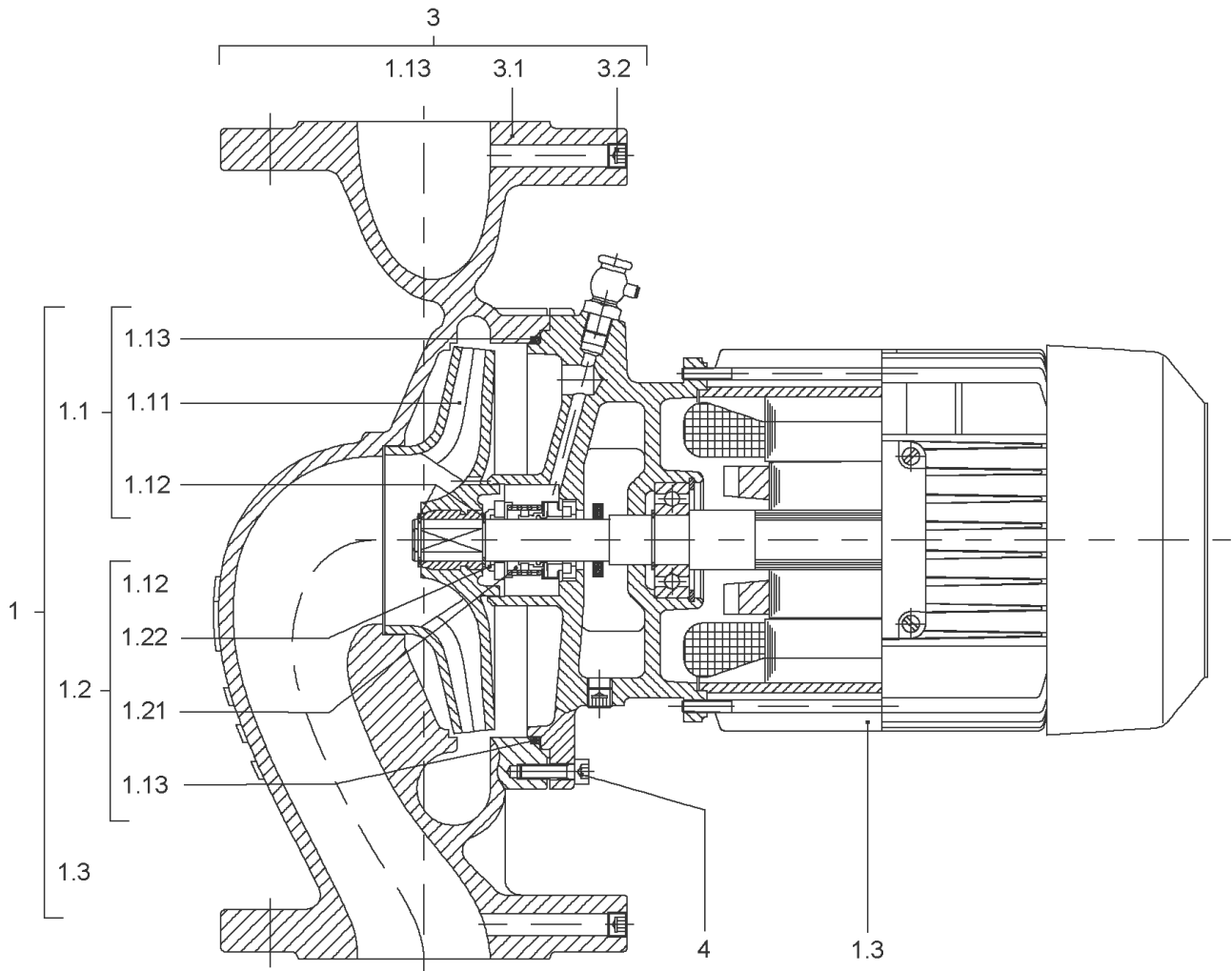
Separator outlet SiClean comf. 20 KIT (4216860)

Item	Article no.	Description	Quantity
7.2	4215095	CF_1"1/4_DN32_PN25_Stahl_ZN_BL VP.	1
7.3	4215097	STEAM TRAP BRASS FEM.1/2"-10B-110°C VP.	1
7.1	4217144	De-aerator SiClean 20 Kit	1
7.11	4216787	> GF341-LAI-3/4"-MANC-UNION-M/F VP.	1
7.12	4216801	> GATE VALVE PD-3/4"-F/F-PN10-Laiton VP.	1
7.13		> Degazing unit SiClean comfort 20	1
7.14	4215096	> VALVE-BS-1/2"-M/F-PS10-BRASS-NICK VP.	1



SiClean comfort_25 (4194910)

Item	Article no.	Description	Quantity
1		IPL40/115-0,55/2	1
2	4217161	KIT W-Control-SC-C-1x1,6A-T34-DOL-WM	1
3	4215004	Frame SICLEAN Comfort T1 KIT	1
4	4217105	Separator SiClean COMFORT 25 KIT	1
5	4217091	Link separator SiClean 25 KIT	1
6	4215049	Purge SiClean comfort KIT	1
7	4216861	Separator outlet SiClean conf. 25 KIT	1



IPL40/115-0,55/2

Item	Article no.	Description	Quantity
1	122098290	Exchange kit IPL40/115-0,55/2	1
1.1	122092498	> IMPELLER D.48/105,5/17 KIT	1
1.11		>> Impeller D.48/105,5/17X5,4 PPO FE1630	1
1.12	2123932	>> CIRCLIP 17X1 DIN471 A2 1.4122 VP.	1
1.13	2010300	>> O-RING ID.107,54X3,53	1
1.2	122097593	> Mechanical seal ID.17 AQ1EGG KIT	1
1.12	2123932	>> CIRCLIP 17X1 DIN471 A2 1.4122 VP.	1
1.13	2010300	>> O-RING ID.107,54X3,53	1
1.13	2010301	>> O-RING ID.117,07X3,53	1
1.13	2054183	>> O-RING ID.158,34X3,53 E7518	1
Note: TO/ BIS/ JUSQU'À: 03/03			
1.13	2046358	>> O-RING ID.164,7X3,53 E7518 VP.	1
Note: FROM/ AB/ À PARTIR: 04/03			
1.21		>> MECHANICAL SEAL ID.17 AQ1EGG	1
1.22		>> Distance ring D.17/30X9 PPO FE1630	1
1.3		> Motor	1
		SPARE PARTS MOTOR 0,55/2/71 F154 IE2	1
3	2016513	PUMP HOUSING IPL40/115/IP-E40/2 KIT	1
1.13	2010300	> O-RING ID.107,54X3,53	1
3.1		> PUMP HOUSING IP-E40/108,5 CPL.WILO	1
4	2043006	SCREW M6X20 ISO4762 8.8 (4 PIECES)	1

Motor-Typenschild / Motor type plate / Plaque identité moteur

Bei Ersatzteilbestellung Motorhersteller / Motordaten beachten!
Consider motor manufacturers / motor data for order of spare parts!
Pour les commandes de pièce détachée, indiquer le fabricant / les données du moteur!

ATB

3-Mot. AF 132S/2F - 11S + E 2 /0509 IE2-88,1%
 S1 132S IMV1 224039411-1 522058X
 IP 55 Th. Cl. 155(F) SCHWINGGROESSENSTUFE B
 KD_NR.2064705

kW	V	Hz	A	1/min	cos φ
7,5	Y/Δ690/400	50	7,9 / 13,7	2890	0,90
7,5	Δ460	60	11,8	3510	0,89

Made in Germany 50 kg EN 60034

TEE

3-Mot. Q2E FS 80M2D60-F188 Icl F S1 Kg 13
 N° 0001
 04012011 IP 55 IM

V Δ/Y	Hz	min ⁻¹	kW	cos φ	A	η
230 / 400	50	2885	1,1	0,89	4,2 / 2,4	IE2-79,6%
265 / 460	60	3460	1,27	0,89	4,0 / 2,8	

Load 940 50% Efficiency 79,1%

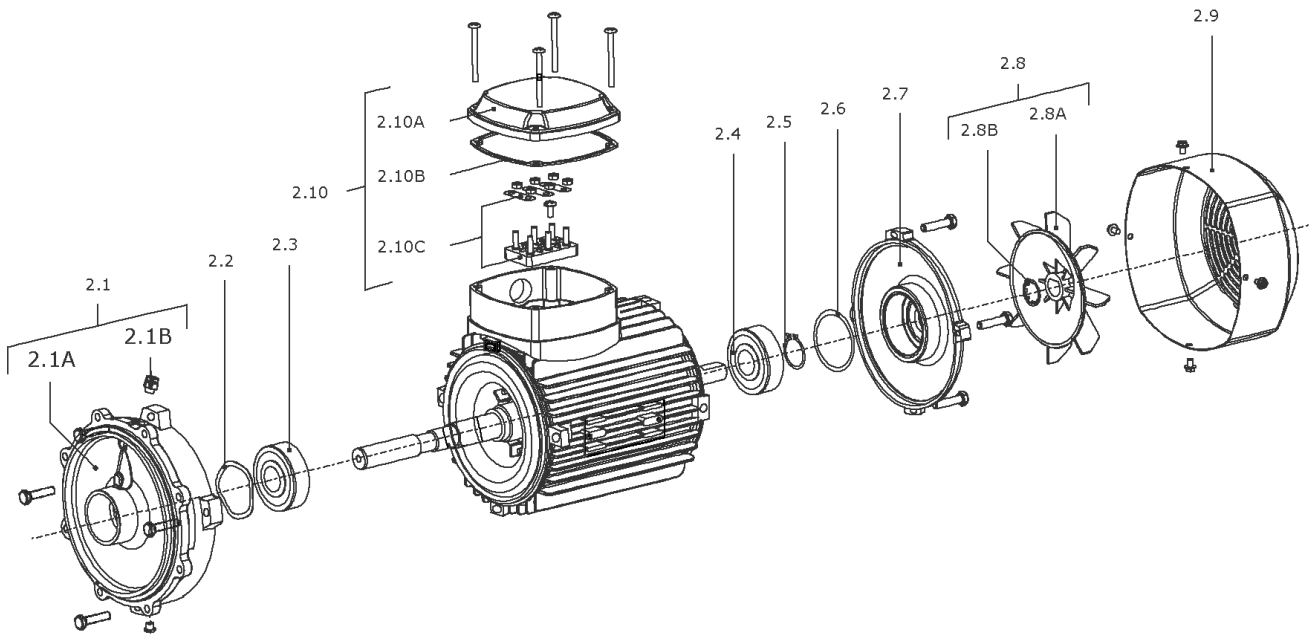
WILO ELEC

3-Induction Motor Made by WILCO Group CE
 3501437 W080090-2-F188 0902.001
 Class F S1 IP55 13.5kg EN60034

50Hz	1.10kW	2850min ⁻¹	60Hz	1.29kW	3435min ⁻¹
Δ/Y 230/400V		4.02/2.32A	Y 440-480V		2.40-2.32A
cosφ=0.82		IE2-81.5%	cosφ=0.85		IE2-82.5%

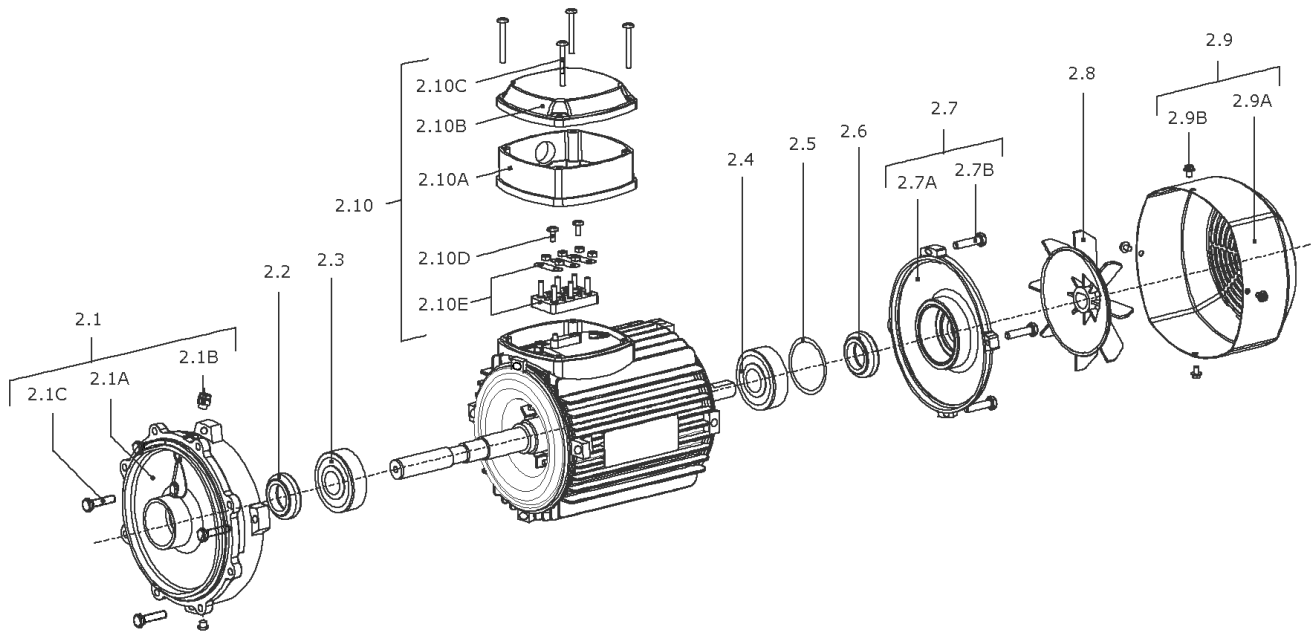
SPARE PARTS MOTOR 0,55/2/71 F154 IE2

Item	Description	Quantity
ATB	MOTOR 0,55/2/71 F154 ATB IE2	1
TEE	MOTOR 0,55/2/71 F154 TEE IE2	1
ELEC	Motor W071080-2-F154 400V/50Hz 0.55kw	1
Note: Motor 3501996		
ELEC	MOTOR W071065-2-F154L 400/50 0.55kW IE2	1
Note: Motor 3504475		
ELEC	W071080-2-F154L T0.55-405YIE2F55	1
Note: Motor 3513234		



MOTOR 0,55/2/71 F154 ATB IE2

Item	Article no.	Description	Quantity
2.1	2125446	END SHIELD BG71 D.E.ATB KIT	1
Note: Please give the data from type plate of the motor			
2.1A		> END SHIELD BG71 D.E.567892 ATB	1
2.1B	2027201	> BLOWGUN R1/8" VP.	1
Note: Please give the data from type plate of the motor			
2.2	2090403	SHIM BALL BEARING BG71 ATB VP.	1
Note: Please give the data from type plate of the motor			
2.3	121084499	BALL BEARING 6204/2Z-C3 (HT) VP.	1
Note: Please give the data from type plate of the motor			
2.4	122097891	BALL BEARING 6202/2Z-C3 (HT) VP.	1
Note: Please give the data from type plate of the motor			
2.5	2123932	CIRCLIP 17X1 DIN471 A2 1.4122 VP.	1
Note: Please give the data from type plate of the motor			
2.5	2046120	CIRCLIP 40X1,75 DIN472 A2	1
Note: Please give the data from type plate of the motor			
2.6	2096271	SPACER DISC BG71/80 ATB VP.	1
Note: Please give the data from type plate of the motor			
2.7	2125436	END SHIELD BG71/80 N.D.E.ATB VP.	1
Note: Please give the data from type plate of the motor			
2.8	122093297	FAN WHEEL BG71 ATB KIT	1
Note: Please give the data from type plate of the motor			
2.8A		> FAN WHEEL BG71/80 106152 ATB	1
2.8B	2123923	> CORRUGATED SLEEVE RING BG71 ATB VP.	1
Note: Please give the data from type plate of the motor			
2.9	2046448	FAN HOUSING BG71/80 ATB VP.	1
Note: Please give the data from type plate of the motor			
2.10	2123996	TERMINAL BOX CPL.BG71-80 ATB KIT	1
Note: Please give the data from type plate of the motor			
2.10A	2114271	> Term.box cover+gasket BG71/80 ATB VP.	1
Note: Please give the data from type plate of the motor			
2.10C	2096208	> TERMINAL BOARD BG71/80 ATB VP.	1
Note: Please give the data from type plate of the motor			

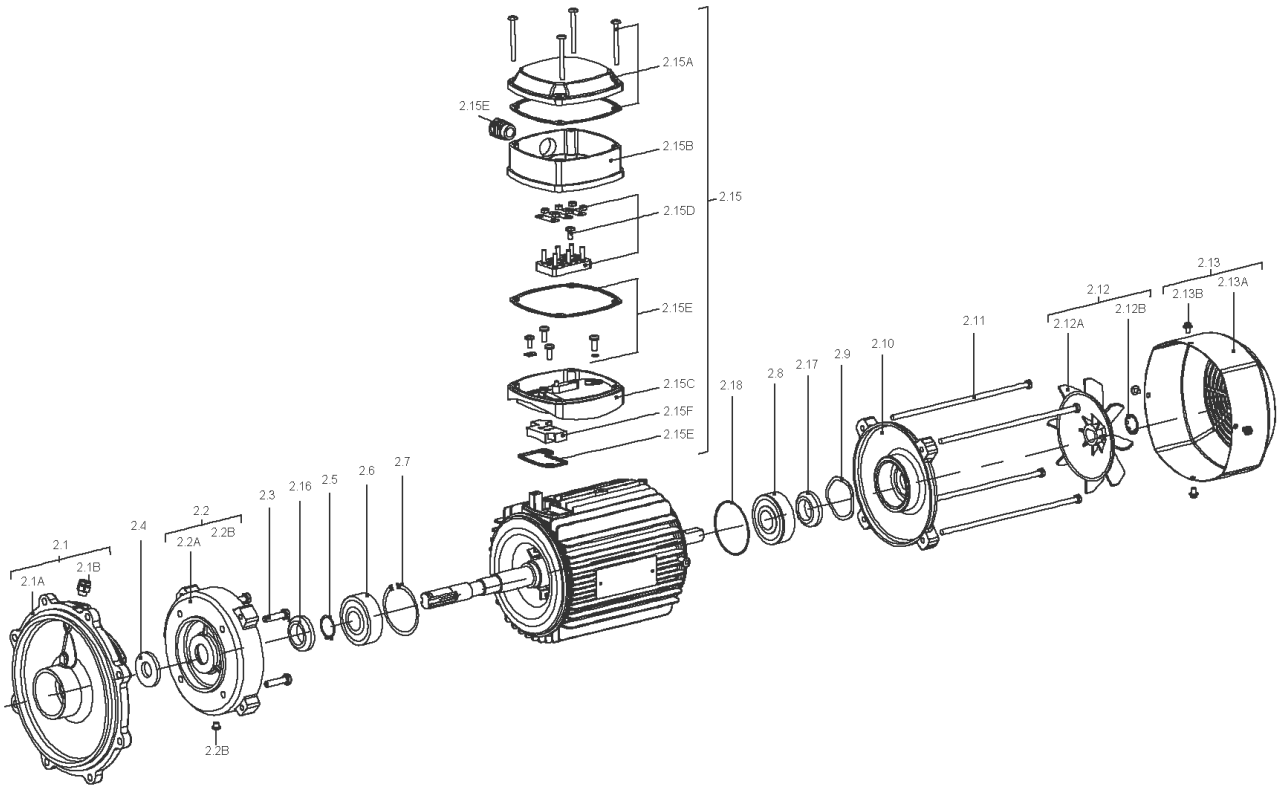


MOTOR 0,55/2/71 F154 TEE IE2

Item	Article no.	Description	Quantity
2.1	2116805	END SHIELD BG71-F154 D.E.TEE KIT	1
Note: Please give the data from type plate of the motor			
2.1A		> END SHIELD BG71 644304301-K D.E.TEE	1
2.1B	2027201	> BLOWGUN R1/8" VP.	1
Note: Please give the data from type plate of the motor			
2.1C	2118374	> SCREW F.END SHIELD BG71 TEE (8 PIECES)	1
Note: Please give the data from type plate of the motor			
2.3	2046960	BALL BEARING 6204/2RS-C3 (HT) VP.	1
Note: Please give the data from type plate of the motor			
2.4	122097891	BALL BEARING 6202/2Z-C3 (HT) VP.	1
Note: Please give the data from type plate of the motor			
2.5	2118369	SPACER DISK BG71 TEE VP.	1
Note: Please give the data from type plate of the motor			
2.6	2096376	JOINT RING 15X24X5 TEE VP.	1
Note: Please give the data from type plate of the motor			
2.7	2116827	END SHIELD BG71-F154/188 N.D.E.TEE KIT	1
Note: Please give the data from type plate of the motor			
2.7A		> END SHIELD BG71 643407701 N.D.E.TEE	1
2.7B	2118374	> SCREW F.END SHIELD BG71 TEE (8 PIECES)	1
Note: Please give the data from type plate of the motor			
2.8	2116776	FAN WHEEL BG71-80 TEE VP.	1
Note: Please give the data from type plate of the motor			
2.9	2118380	FAN HOUSING BG71 TEE KIT	1
Note: Please give the data from type plate of the motor			
2.9A		> FAN HOUSING BG71 642300401 TEE	1
2.9B	2116846	> SCREW F.FAN COVER BG71/80 TEE (4 PIECES)	1
Note: Please give the data from type plate of the motor			
2.10	2118375	TERMINAL BOX BG71/80 TEE KIT	1
Note: Please give the data from type plate of the motor			
2.10A	2116758	> TERMINAL BOX BOTTOM PART BG71-80 TEE VP.	1
Note: Please give the data from type plate of the motor			
2.10B	2116766	> TERMINAL BOX COVER BG71-80 TEE VP.	1
Note: Please give the data from type plate of the motor			
2.10C	2116835	> SCREW F.TERM.BOX BG71-112 TEE (4 PIECES)	1

MOTOR 0,55/2/71 F154 TEE IE2

Item	Article no.	Description	Quantity
Note: Please give the data from type plate of the motor			
2.10D	2116835	> SCREW F.TERM.BOX BG71-112 TEE (4 PIECES)	1
Note: Please give the data from type plate of the motor			
2.10E	2116783	> TERMINAL BOARD BG71-80 TEE KIT	1
Note: Please give the data from type plate of the motor			
		>> TERMINAL BOARD BG71-80 641611501 TEE	1
	2132505	>> FIXING TERMINAL BOARD BG63-80 TEE VP.	1
Note: Please give the data from type plate of the motor			

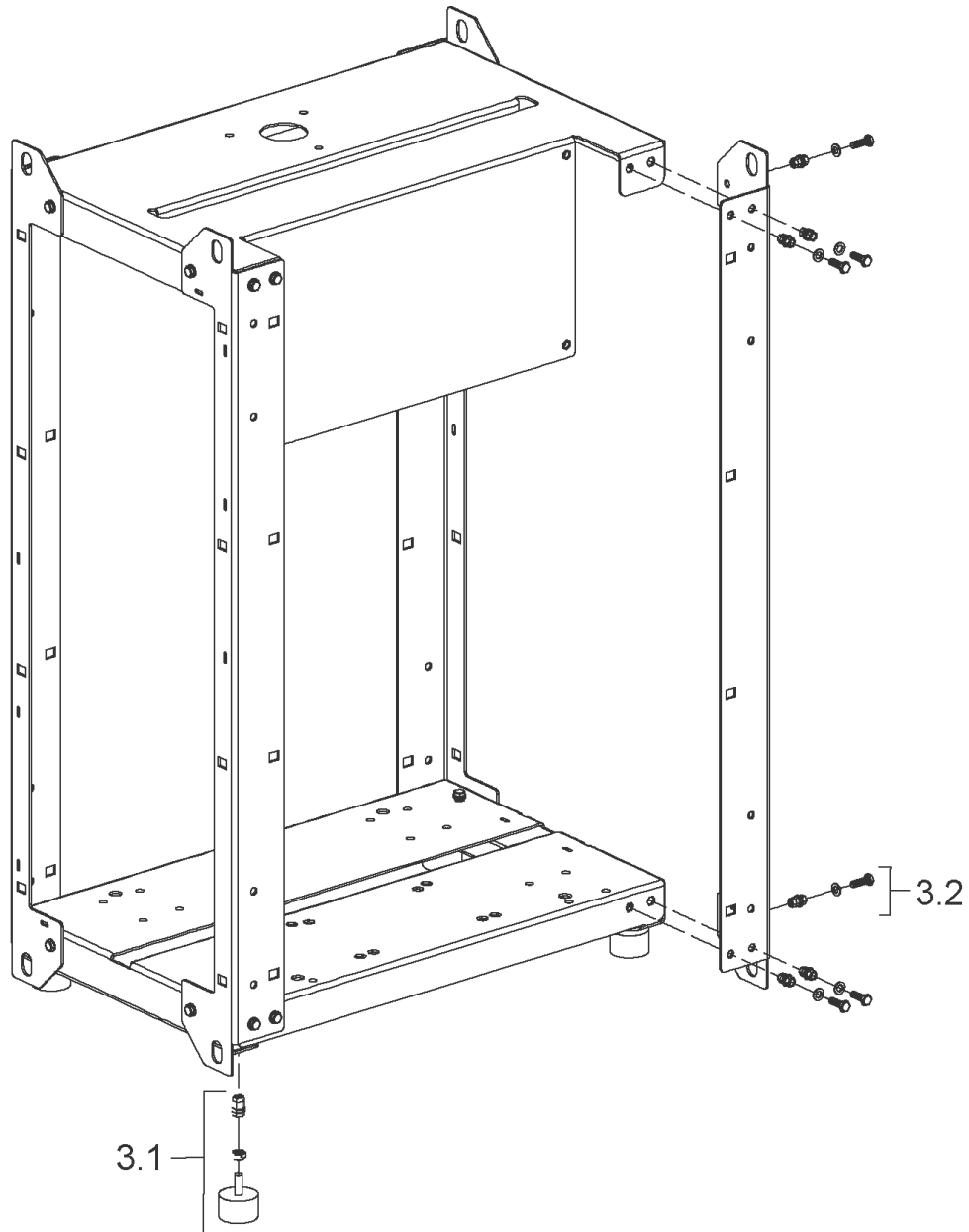


Motor W071080-2-F154 400V/50Hz 0.55kw

Item	Article no.	Description	Quantity
2.1	2111303	FLANGE END SHIELD BG71F154 D.E.ELEC KIT	1
Note: Please give the data from type plate of the motor			
2.1A		> LANTERN V18 M85-F154 KTL	1
2.1B	2027201	> BLOWGUN R1/8" VP.	1
Note: Please give the data from type plate of the motor			
2.2	2111310	END SHIELD BG71 V18 D.E.ELEC KIT	1
Note: Please give the data from type plate of the motor			
2.2A		> Flange IEC71 V18 (w/o thread)	1
2.2B	2111309	> CONDENSATE HOLE GASKET D5 VP.	1
Note: Please give the data from type plate of the motor			
2.3	2111313	SCREW M6X30 6.8 (4 PIECES)	1
Note: Please give the data from type plate of the motor			
2.4	2111324	THROWER D.36X4 VP.	1
Note: Please give the data from type plate of the motor			
2.5	2111332	CIRCLIP D.17 GB894.1 VP.	1
Note: Please give the data from type plate of the motor			
2.6	2111341	BALL BEARING 6203 DDW C3 EA6 VP.	1
Note: Please give the data from type plate of the motor			
2.7	2111335	CIRCLIP D.40 GB893.1 VP.	1
Note: Please give the data from type plate of the motor			
2.8	2111340	BALL BEARING 6202 DDW C3 EA6 VP.	1
Note: Please give the data from type plate of the motor			
2.9	2111338	SPRING RING D.35 VP.	1
Note: Please give the data from type plate of the motor			
2.10	2163997	Flange BG71 N.D.E.Elec KIT	1
Note: Please give the data from type plate of the motor			
		> Flange IEC71 NDS with slot reduce0.5	1
		> O-RING ID35*3 EPDM	1
2.11	2111318	SCREW M5X169 6.8 (4 PIECES)	1
Note: Please give the data from type plate of the motor			
2.12	2107778	FAN WHEEL BG71/80 ELEC KIT	1
Note: Please give the data from type plate of the motor			
2.12A		> FAN 110x15x15.3 GP2200 G/F20%	1
2.12B	2111321	> STOP-RING D.14,8x0,4 VP.	1

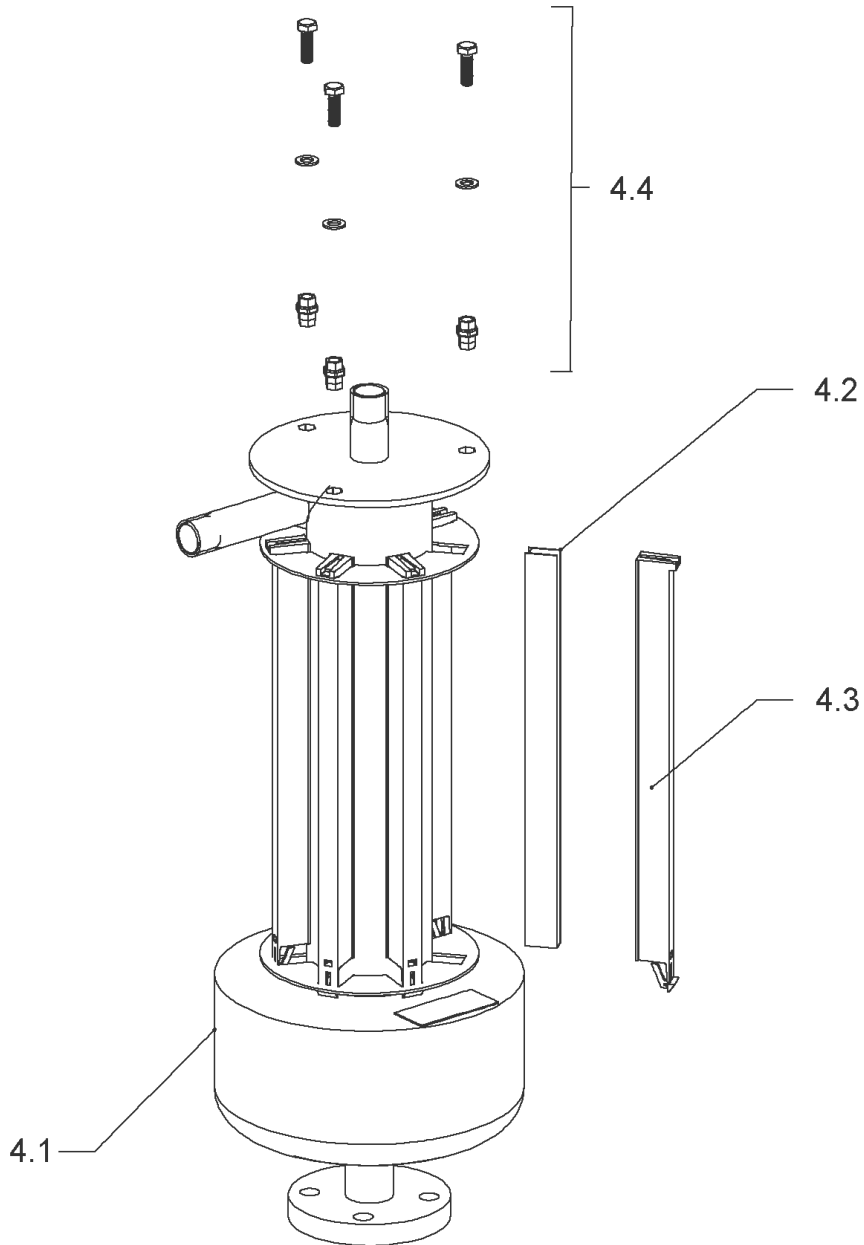
Motor W071080-2-F154 400V/50Hz 0.55kw

Item	Article no.	Description	Quantity
Note: Please give the data from type plate of the motor			
2.13	2107783	FAN HOOD BG71 ELEC KIT	1
Note: Please give the data from type plate of the motor			
2.13A		> FAN COVER IEC71 KTL ST14 T0.8 H60	1
2.13B	2111323	> SCREW M4X6 (4 PIECES)	1
Note: Please give the data from type plate of the motor			
2.15	2162533	Terminal box cpl.BG71/80 ELEC ABS KIT	1
Note: Please give the data from type plate of the motor			
2.15A		> Terminal box cover 3~ ABS IEC	1
2.15B		> Terminal box 3~ ABS IEC INSERTING	1
2.15D	2111327	> TERMINAL BOARD 50X32 M4 3~ CPL. ELEC KIT	1
Note: Please give the data from type plate of the motor			
2.15E	2111328	> GASKETS/SCREWS F.TERM.BOX 71/80 ELEC KIT	1
Note: Please give the data from type plate of the motor			
2.15F		> Frame Closing IEC	1
2.18	2163998	O-Ring ID35*3 EPDM VP.	1



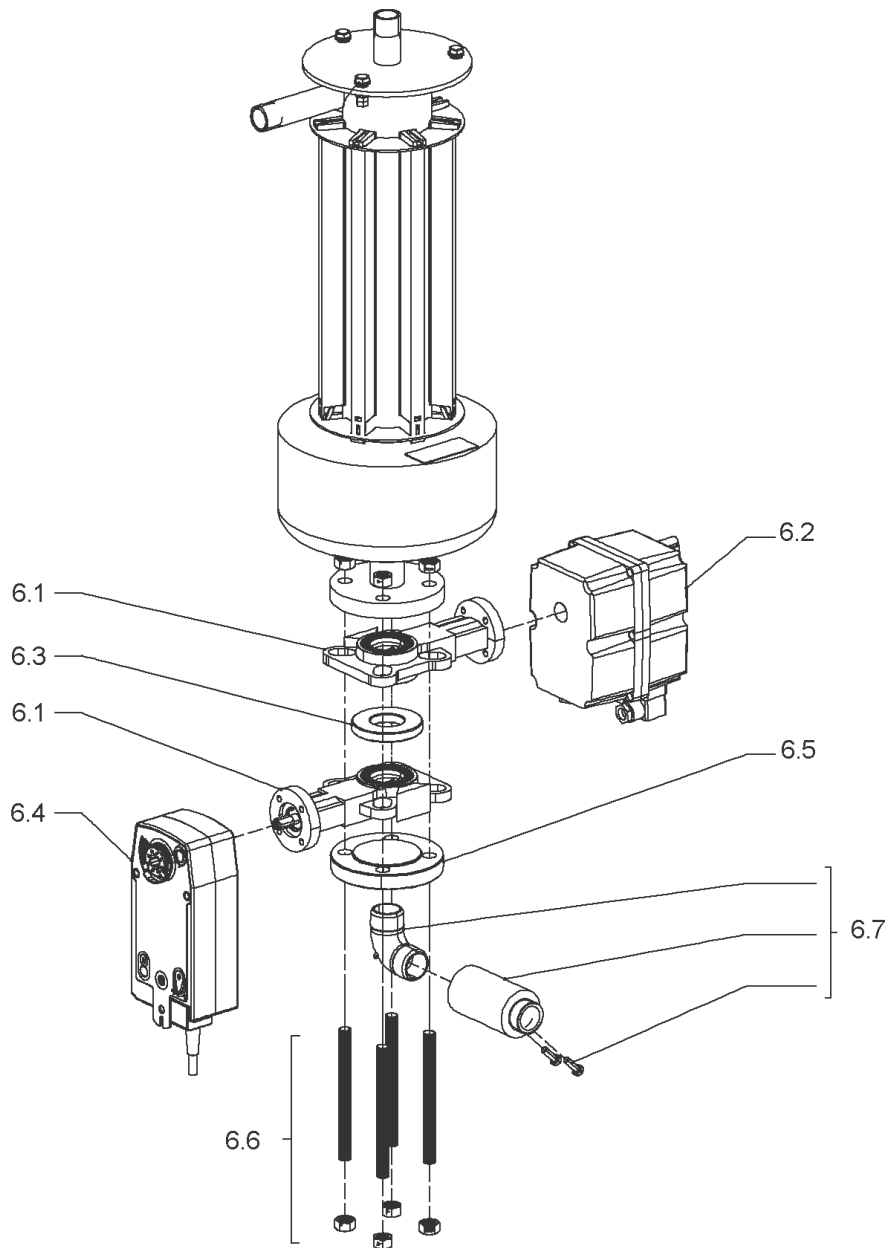
Frame SICLEAN Comfort T1 KIT (4215004)

Item	Article no.	Description	Quantity
3.1	4215041	VIBRATION DAMPER 50x30 KIT	1
3.2	4217153	Ground braid Kit	1



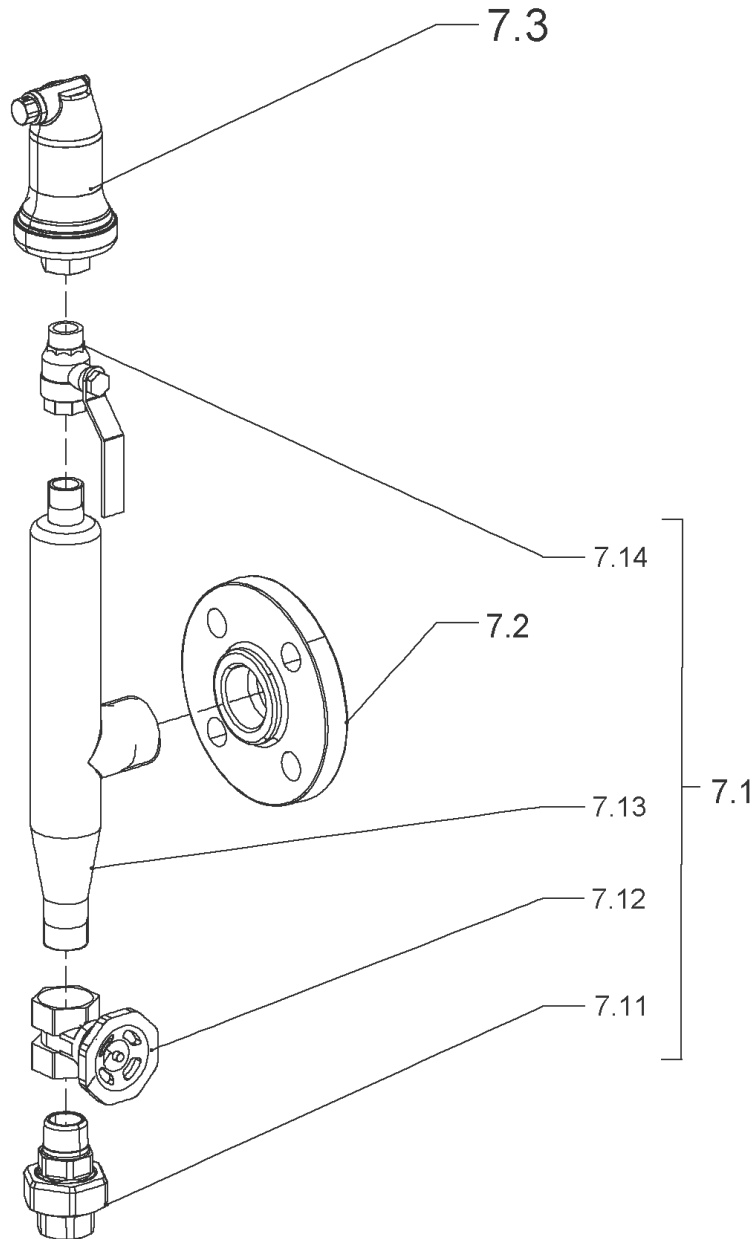
Separator SiClean COMFORT 25 KIT (4217105)

Item	Article no.	Description	Quantity
4.1		SEPARATOR_SICLEAN_COMFORT-25	1
4.2	4215044	BAR-MAGNETIC-300x23x11,5 VP.	1
4.3	4215045	Jacket. aim.Clean comf 300x23x11.5 VP.	1
4.4	4215046	Kit Screws M8X25	1



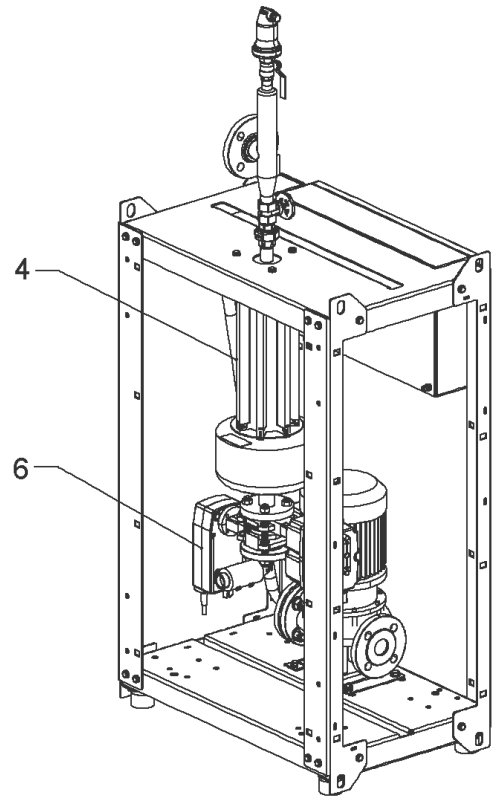
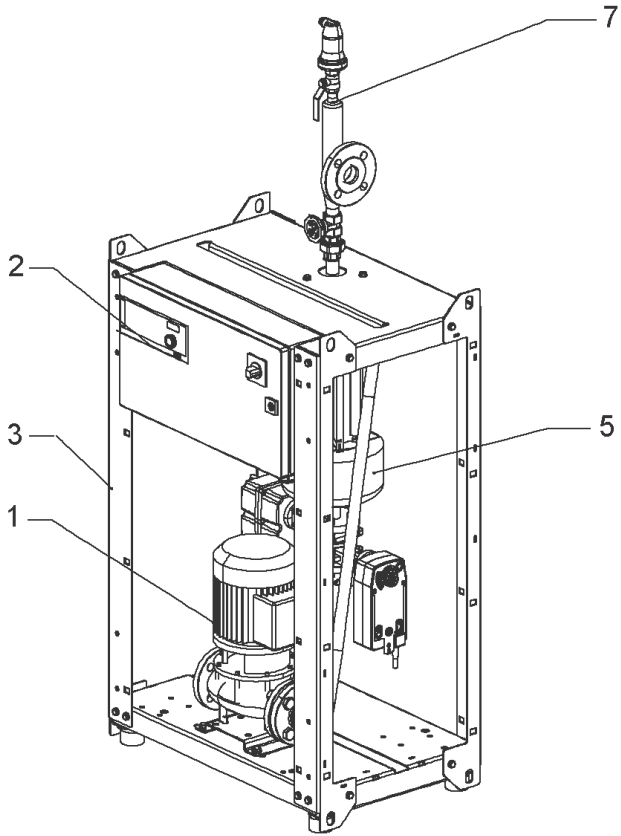
Purge SiClean comfort KIT (4215049)

Item	Article no.	Description	Quantity
6.1	4215050	BUTTERFLY VALVE _PN16_304_F05 VP.	1
6.2	4216698	SERVOMOTOR-24V VP.	1
6.3	4215055	SPACER DN25-71x34x10 VP.	1
6.4	4215056	SERVOMOT_SECURITE_NF20NmAC/DC-24V_3M VP.	1
6.5	4215057	CBV_1"_DN25_PN16_ACIER_ZN_BL VP.	1
6.6	4215058	STUD BOLT VP.	1
6.7	4215059	LEAK-SENSOR-1"-M/F KIT.	1



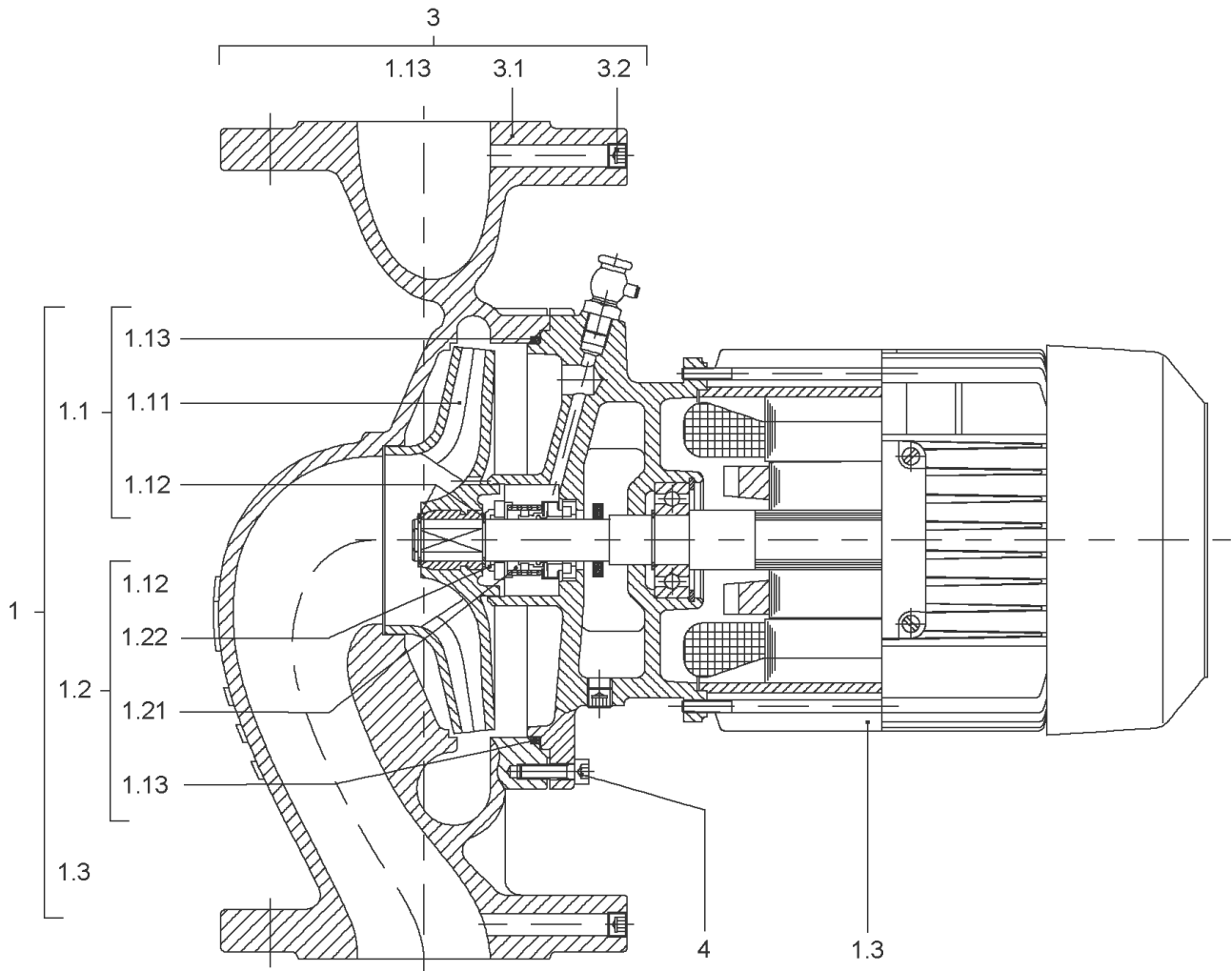
Separator outlet SiClean conf. 25 KIT (4216861)

Item	Article no.	Description	Quantity
7.2	4216829	CF_2"-PN10/16-Steel_ZN_BL VP.	1
7.3	4215097	STEAM TRAP BRASS FEM.1/2"-10B-110°C VP.	1
7.1	4217145	De-aerator SiClean 25 Kit	1
7.11	4216788	> GF341-LAITON-1"-UNION-M/F VP.	1
7.12	4216802	> GATE VALVE 1"-F/F-PN10LAITON-FORGE VP.	1
7.13		> Degazing unit SiClean comfort 20	1
7.14	4215096	> VALVE-BS-1/2"-M/F-PS10-BRASS-NICK VP.	1



SiClean comfort_30 (4194911)

Item	Article no.	Description	Quantity
1		IPL40/120-1,5/2	1
2	4217162	KIT W-Control-SC-C-1x4,0A-T34-DOL-WM	1
3	4216872	Frame SICLEAN Comfort T2 KIT	1
4	4217106	Separator SiClean COMFORT 30 KIT	1
5	4217092	Link separator SiClean 30 KIT	1
6	4215049	Purge SiClean comfort KIT	1
7	4216862	Separator outlet SiClean conf. 30 KIT	1



IPL40/120-1,5/2

Item	Article no.	Description	Quantity
1	2166329	Exchange kit IPL40/120-1,5/2	1
1.1	2164050	> Impeller D.55/123/17X8,2 PPO KIT	1
1.11		>> Impeller D.55/123/17X8,2 PPO BEARB.	1
1.12	2123932	>> CIRCLIP 17X1 DIN471 A2 1.4122 VP.	1
1.13	2046358	>> O-RING ID.164,7X3,53 E7518 VP.	1
1.2	122097593	> Mechanical seal ID.17 AQ1EGG KIT	1
1.12	2123932	>> CIRCLIP 17X1 DIN471 A2 1.4122 VP.	1
1.13	2010300	>> O-RING ID.107,54X3,53	1
1.13	2010301	>> O-RING ID.117,07X3,53	1
1.13	2054183	>> O-RING ID.158,34X3,53 E7518	1
Note: TO/ BIS/ JUSQU'À: 03/03			
1.13	2046358	>> O-RING ID.164,7X3,53 E7518 VP.	1
Note: FROM/ AB/ À PARTIR: 04/03			
1.21		>> MECHANICAL SEAL ID.17 AQ1EGG	1
1.22		>> Distance ring D.17/30X9 PPO FE1630	1
1.3		> Motor	1
		Spare parts motor 1,5/2/90 F188 IE3	1
3	2016517	PUMP HOUSING IPL40/160/IP-E40/5 KIT	1
1.13	2046358	> O-RING ID.164,7X3,53 E7518 VP.	1
3.1		> PUMP HOUSING IP-E40/160 CPL.WILO	1
4	2052495	SCREW M6X20 ISO4762 8.8 (8 PIECES)	1

Motor-Typenschild / Motor type plate / Plaque identité moteur

Bei Ersatzteilbestellung Motorhersteller / Motordaten beachten!

Consider motor manufacturers / motor data for order of spare parts!

Pour les commandes de pièce détachée, indiquer le fabricant / les données du moteur!

Motor-Nummer
motor number
numéro du moteur

ATB

3~Mot.	AF132S/2F-11S+E2/0509	IE3-88,1%	
S1	132S IMV1	224039411-1	522058X
IP 55	Th. Cl. 155(F)	SCHWINGGROESSENSTUFE B	
KD_NR.2064705			
kW	V	Hz	A
7,5	Y/Δ 690/400	50	7,9 / 13,7
7,5	D460	60	11,8
Made in Germany		50 kg	EN 60034

Motor-Nummer
motor number
numéro du moteur

TEE

		ELECTRIC MOTORS		ARCELIK A.S. - TURKEY				IE3	
3~Mot Q2E FS 80M2D80-F188cl F		S1		Kg 13		IEC 60034		VDE 0530	
N° 0001		04012011		IP55 IM-					
V	Δ/λ	Hz	min ⁻¹	kW	Cosφ	A	η	Load	Efficiency
230/400		50	2885	1.1	0.83	4.2 / 2.4	IE3-79.6%	%50	76,1%
265/460		60	3460	1.27	0.83	4.0 / 2.3		%75	79,1%

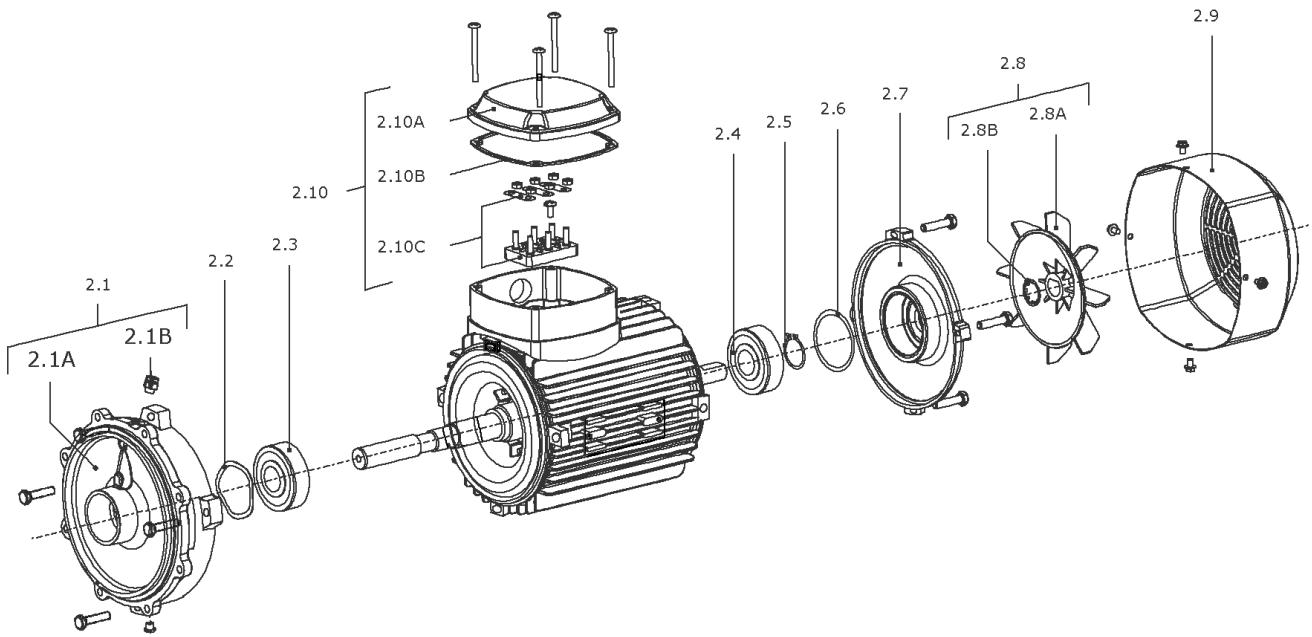
ELEC

Motor-Nummer
motor number
numéro du moteur

3~Induction Motor			
Made by WILLO Group			
3501437	W080090-2-F188	0902.001	
Class F	S1	IP55	13.5kg EN60034
50Hz	1.10kW	2850min ⁻¹	60Hz 1.29kW 3435min ⁻¹
Y/Δ	230/400V	4.02/2.32A	Y 440-480V 2.40-2.32A
Cosφ =0.82	IE2-81.5%	Cosφ =0.85	IE3-82.5%

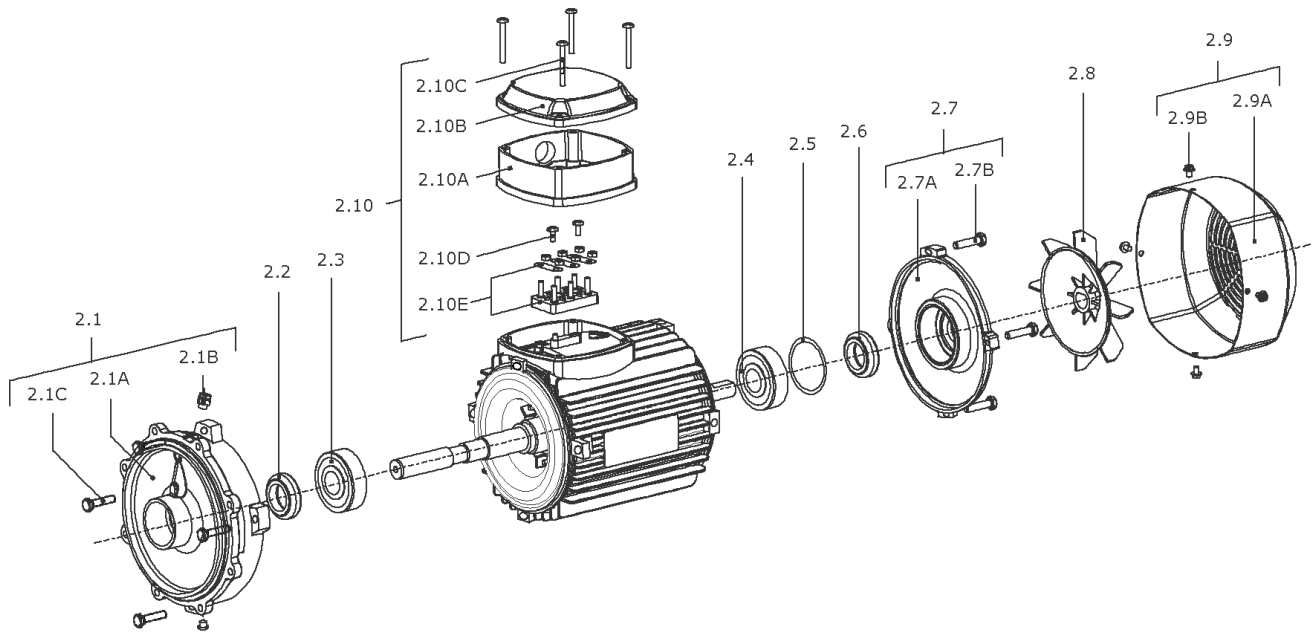
Spare parts motor 1,5/2/90 F188 IE3

Item	Description	Quantity
ATB	MOTOR 1,5/2/90 F188 ATB IE3	1
TEE	Motor 1,5/2/90 F188 TEE IE3	1
ELEC	W090085-2-F188L 400V/50Hz 1.5kW IE3	1
Note: Motor 3504218		
ELEC	W080130-2-F188L T1.5-405YIE3F55	1
Note: Motor 3513159		



MOTOR 1,5/2/90 F188 ATB IE3

Item	Article no.	Description	Quantity
2.1	2174774	End shield BG90 D.E.ATB KIT	1
Note: Please give the data from type plate of the motor			
2.1A		> End shield BG90 500438 D.E.ATB	1
2.1B	2027201	> BLOWGUN R1/8" VP.	1
Note: Please give the data from type plate of the motor			
2.2	2096256	SHIM BALL BEARING BG90/100 ATB VP.	1
Note: Please give the data from type plate of the motor			
2.3	121083998	BALL BEARING 6205/2Z-C3 (HT) VP.	1
Note: Please give the data from type plate of the motor			
2.4	121083998	BALL BEARING 6205/2Z-C3 (HT) VP.	1
Note: Please give the data from type plate of the motor			
2.5	2112922	CIRCLIP 25X1,2 DIN471 ATB VP.	1
Note: Please give the data from type plate of the motor			
2.5	2046411	CIRCLIP 62X2 DIN472 FST	1
Note: Please give the data from type plate of the motor			
2.6	2096272	SPACER DISC BG80-100 ATB VP.	1
Note: Please give the data from type plate of the motor			
2.7	2174787	End shield BG90 N.D.E.ATB VP.	1
Note: Please give the data from type plate of the motor			
2.8	2161046	Fan wheel BG90 ATB KIT	1
Note: Please give the data from type plate of the motor			
2.8A		> Fan wheel BG90 500069 ATB	1
2.8B	2047016	> CORRUGATED SLEEVE RING BG90/100 ATB VP.	1
Note: Please give the data from type plate of the motor			
2.9	2168891	Fan housing BG90 ATB VP.	1
Note: Please give the data from type plate of the motor			
2.10	2145419	Terminal box cpl.BG90 ATB KIT	1
Note: Please give the data from type plate of the motor			
2.10A	2160988	> Terminal box cover BG90 ATB VP.	1
Note: Please give the data from type plate of the motor			
2.10C	2150996	> Terminal board cpl.BG56-132 ATB VP.	1
Note: Please give the data from type plate of the motor			

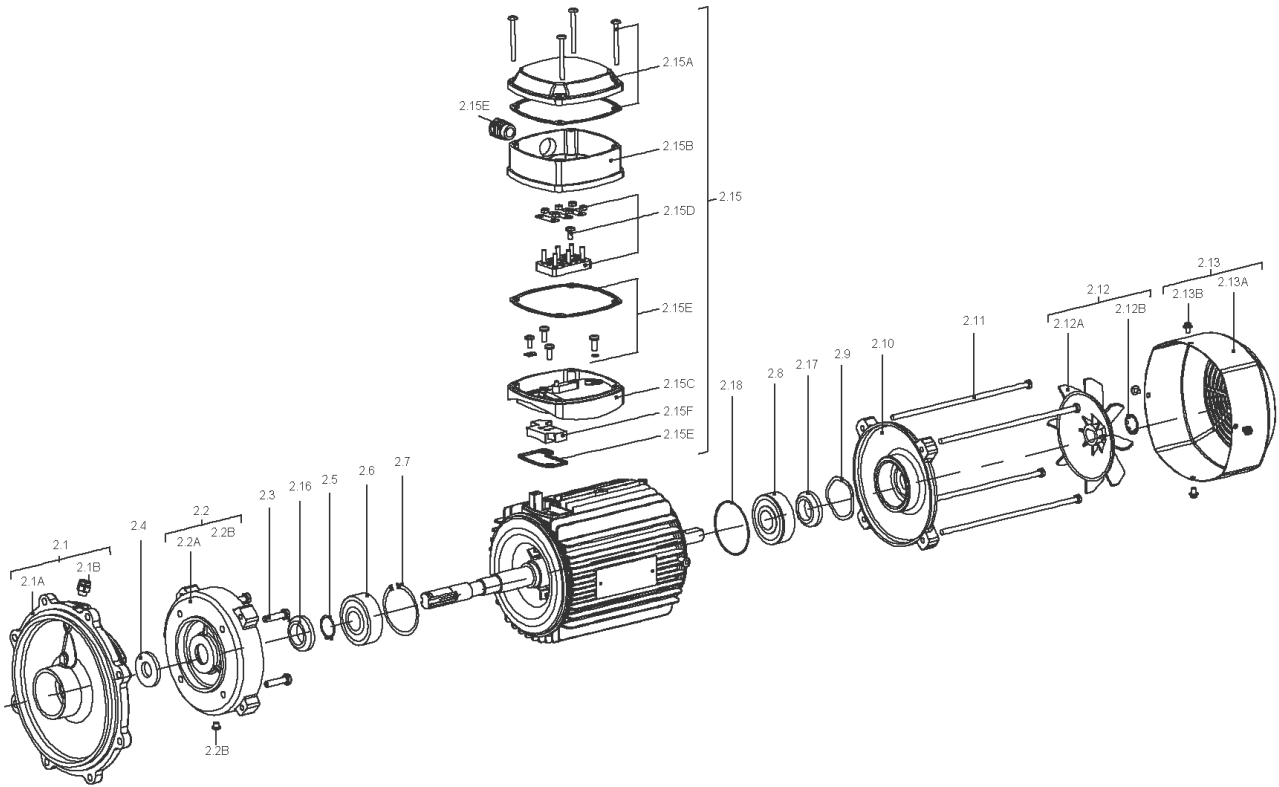


Motor 1,5/2/90 F188 TEE IE3

Item	Article no.	Description	Quantity
2.1	2116816	END SHIELD BG90-F188 D.E.TEE KIT	1
Note: Please give the data from type plate of the motor			
2.1A		> END SHIELD BG90 644304701-K D.E.TEE	1
2.1B	2027201	> BLOWGUN R1/8" VP.	1
Note: Please give the data from type plate of the motor			
2.1C	2118357	> SCREW F.END SHIELD BG90 TEE(8 PIECES)	1
Note: Please give the data from type plate of the motor			
2.3	2046946	ball bearing 6205/2RS-C3 (HT) VP.	1
Note: Please give the data from type plate of the motor			
2.4	121083998	BALL BEARING 6205/2Z-C3 (HT) VP.	1
Note: Please give the data from type plate of the motor			
2.5	2118361	SPACER DISK BG90-100 TEE VP.	1
Note: Please give the data from type plate of the motor			
2.6	2096378	JOINT RING 25X40X7 TEE VP.	1
2.7	2116833	END SHIELD BG90-F170/188 BTS.TEE KIT	1
Note: Please give the data from type plate of the motor			
2.7A		> END SHIELD BG90 643225301 N.D.E.TEE	1
2.7B	2118357	> SCREW F.END SHIELD BG90 TEE(8 PIECES)	1
Note: Please give the data from type plate of the motor			
2.8	2042821	FAN WHEEL BG80/90 TEE VP.	1
Note: Please give the data from type plate of the motor			
2.9	2118382	FAN HOUSING BG90 TEE KIT	1
Note: Please give the data from type plate of the motor			
2.9A		> FAN HOUSING BG90 643303801 TEE	1
2.9B	2116843	> SCREW F.FAN COVER BG90-132 TEE(4 PIECES)	1
Note: Please give the data from type plate of the motor			
2.10	2118370	TERMINAL BOX BG90-100 TEE KIT	1
Note: Please give the data from type plate of the motor			
2.10A	2116754	> TERMINAL BOX BOTTOM PART BG90-100 TEE VP	1
Note: Please give the data from type plate of the motor			
2.10B	2116762	> TERMINAL BOX COVER BG90-112 TEE VP.	1
Note: Please give the data from type plate of the motor			
2.10C	2116835	> SCREW F.TERM.BOX BG71-112 TEE (4 PIECES)	1
Note: Please give the data from type plate of the motor			

Motor 1,5/2/90 F188 TEE IE3

Item	Article no.	Description	Quantity
2.10D	2116839	> SCREW BG90-112 TEE (4 PIECE)	1
Note: Please give the data from type plate of the motor			
2.10E	2116779	> TERMINAL BOARD BG90-112 TEE KIT	1
Note: Please give the data from type plate of the motor			
		>> TERMINAL BOARD BG90-112 641611601 TEE	1
	2132506	>> FIXING TERMINAL BOARD BG80-112 TEE VP.	1

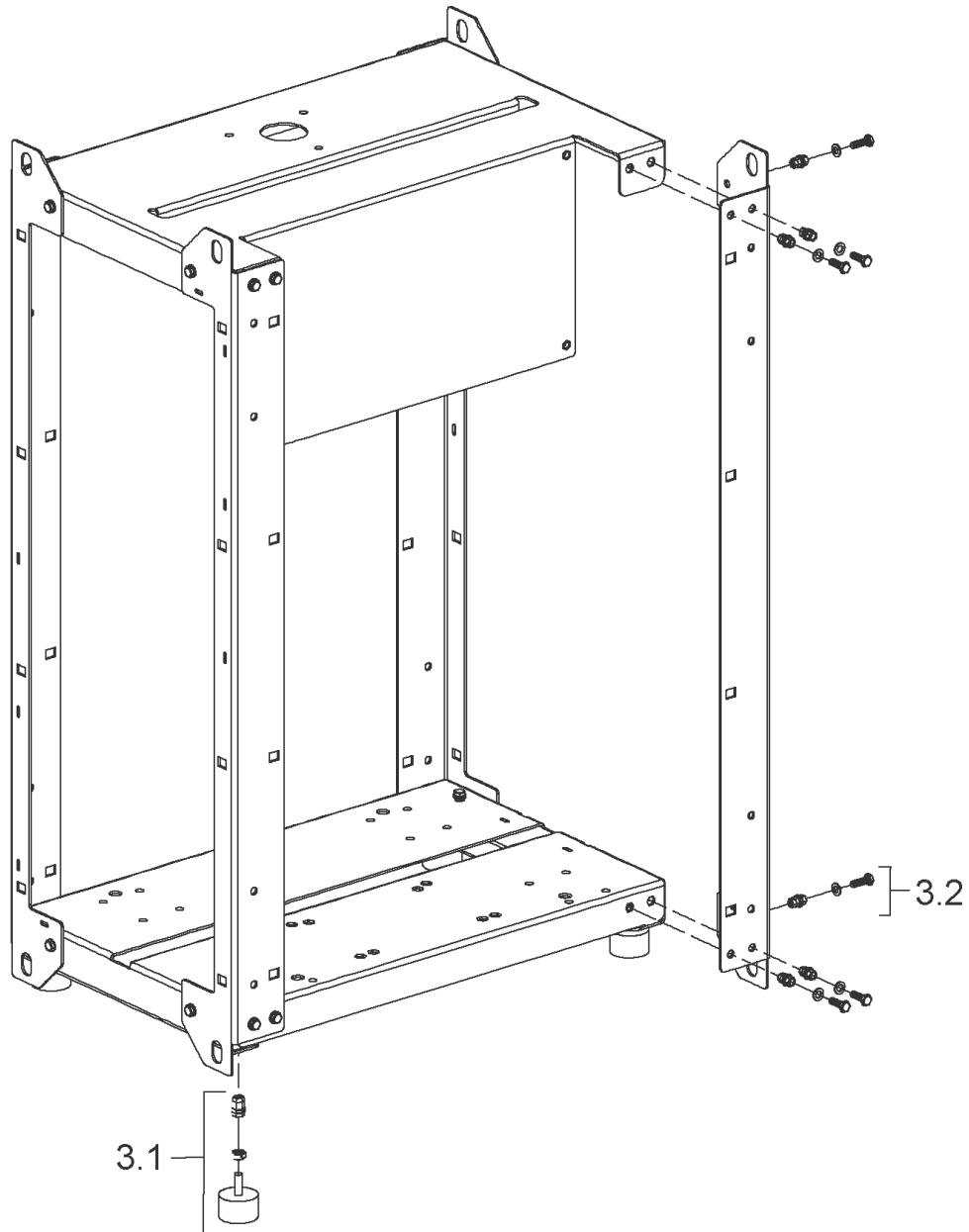


W090085-2-F188L 400V/50Hz 1.5kW IE3

Item	Article no.	Description	Quantity
2.1	2111307	FLANGE END SHIELD BG90F188 D.E.ELEC KIT	1
Note: Please give the data from type plate of the motor			
2.1A		> LANTERN V18 M115-F188 KTL	1
2.1B	2027201	> BLOWGUN R1/8" VP.	1
Note: Please give the data from type plate of the motor			
2.2	2111312	END SHIELD BG90 V18 D.E.ELEC KIT	1
Note: Please give the data from type plate of the motor			
2.2A		> Flange IEC90 V18 (w/o thread)	1
2.2B	2111309	> CONDENSATE HOLE GASKET D5 VP.	1
Note: Please give the data from type plate of the motor			
2.3	2111314	SCREW M8X40 6.8 (4 PIECES)	1
Note: Please give the data from type plate of the motor			
2.4	2111324	THROWER D.36X4 VP.	1
Note: Please give the data from type plate of the motor			
2.5	2111334	CIRCLIP D.30 GB894.1 VP.	1
Note: Please give the data from type plate of the motor			
2.6	2149085	Ball bearing 6306/ZZ-C3 E2 VP.	1
Note: Please give the data from type plate of the motor			
2.7	2111337	CIRCLIP D.72 GB893.1 VP.	1
Note: Please give the data from type plate of the motor			
2.8	2149087	Ball bearing 6204/ZZ-C3 E2 VP.	1
Note: Please give the data from type plate of the motor			
2.9	2111339	SPRING RING D.47 JB/T7590 VP.	1
Note: Please give the data from type plate of the motor			
2.10	2164024	End shield BG90 N.D.E.ELEC KIT	1
Note: Please give the data from type plate of the motor			
		> Flange IEC90 NDS with slot reduce0.5	1
		> O-RING ID47.2*3.53 EPDM	1
2.11	2111320	SCREW M5X211 6.8 (4 PIECES)	1
Note: Please give the data from type plate of the motor			
2.12	2107782	FAN WHEEL BG90 ELEC KIT	1
Note: Please give the data from type plate of the motor			
2.12A		> FAN 122.6X15X17 GP2200 G/F20%	1
2.12B	2111321	> STOP-RING D.14,8x0,4 VP.	1

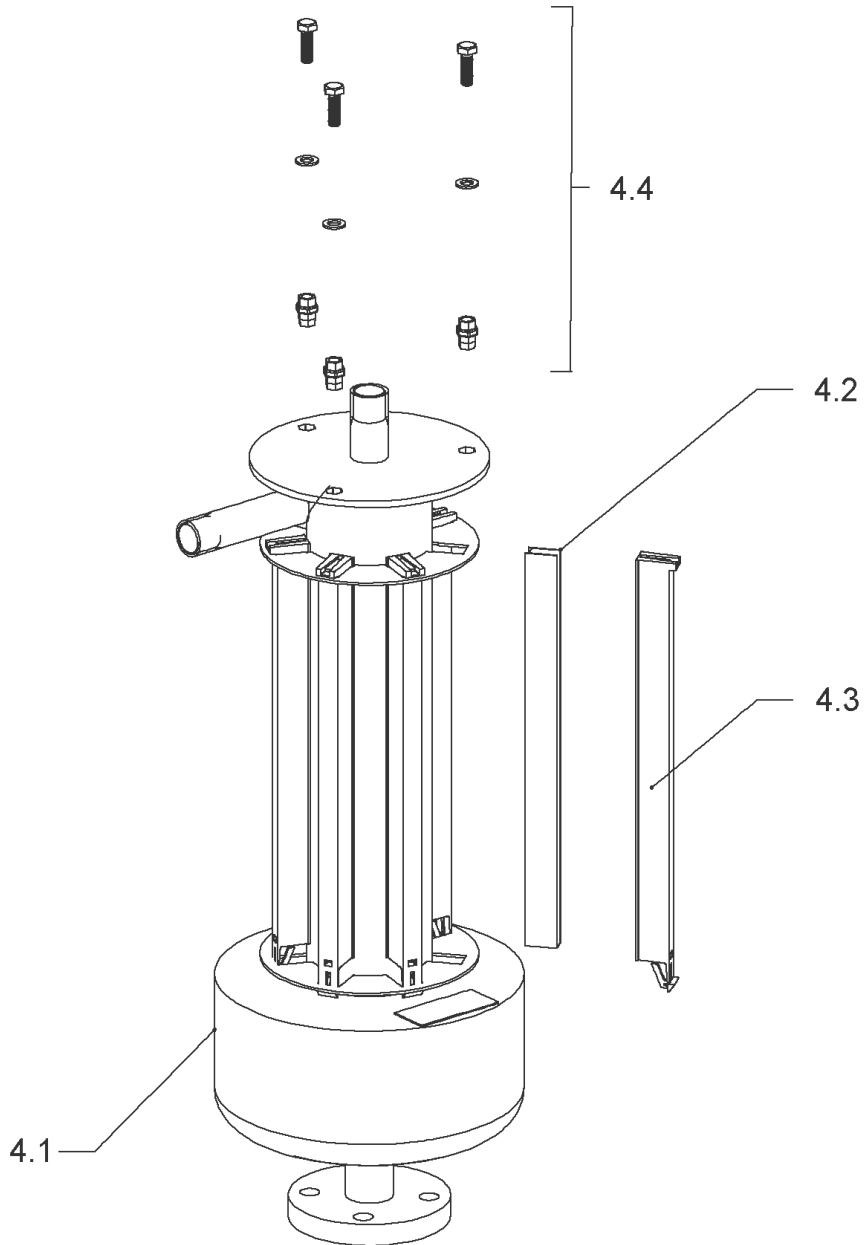
W090085-2-F188L 400V/50Hz 1.5kW IE3

Item	Article no.	Description	Quantity
Note: Please give the data from type plate of the motor			
2.13	2111322	FAN HOOD BG90 ELEC KIT	1
Note: Please give the data from type plate of the motor			
2.13A		> FAN COVER IEC90 KTL ST14 T0.8 H70	1
2.13B	2111323	> SCREW M4X6 (4 PIECES)	1
Note: Please give the data from type plate of the motor			
2.15	2111331	TERMINAL BOX CPL.BG90 ELEC KIT	1
Note: Please give the data from type plate of the motor			
2.15A	2111326	> KIT TERMINAL BOX COV./GASK. BG90-112ELEC	1
Note: Please give the data from type plate of the motor			
2.15B		> Terminal Box Coupling 3~ ADC12 40mm M25	1
2.15C		> Terminal Box Base 3~ ADC12 IEC	1
2.15D	2111327	> TERMINAL BOARD 50X32 M4 3~ CPL. ELEC KIT	1
Note: Please give the data from type plate of the motor			
2.15E	2111329	> GASKETS/SCREWS F.TERM.BOX BG90 ELEC KIT	1
Note: Please give the data from type plate of the motor			
2.15F		> Frame Closing IEC	1
2.16	2149107	Shaft seal ring 30x52x7 VP.	1
2.17	2149109	Shaft seal ring 20x28x4 VP.	1
2.18	2164016	O-Ring ID47.2x3.53 EPDM VP.	1



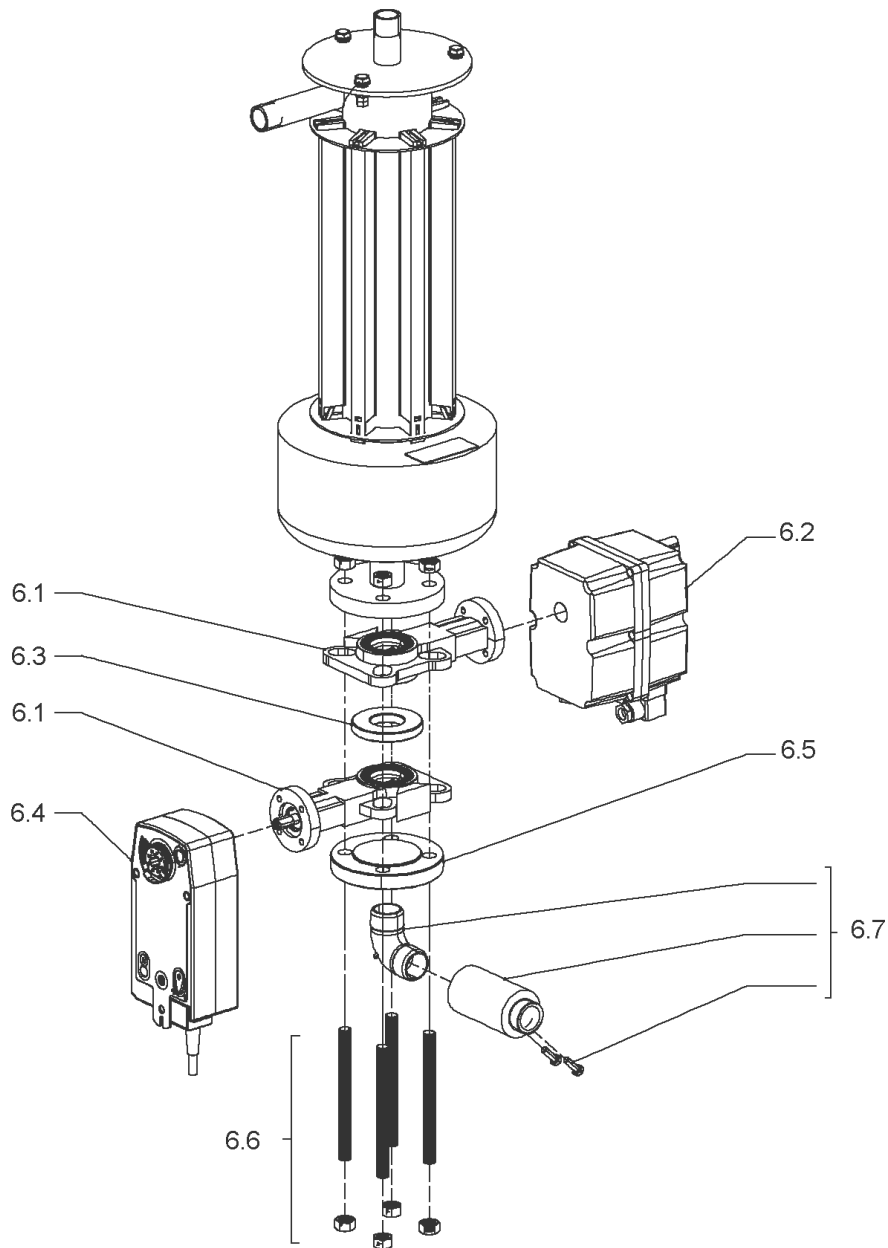
Frame SICLEAN Comfort T2 KIT (4216872)

Item	Article no.	Description	Quantity
3.1	4215041	VIBRATION DAMPER 50x30 KIT	1
3.2	4217153	Ground braid Kit	1



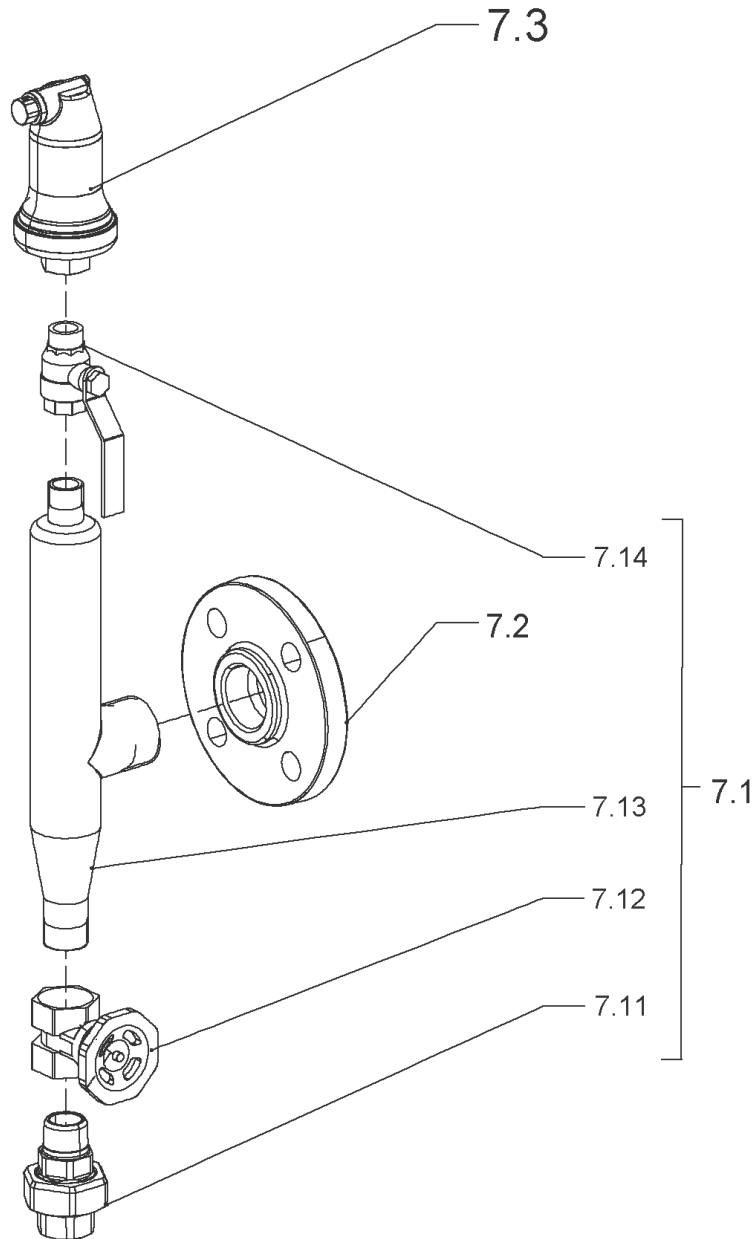
Separator SiClean COMFORT 30 KIT (4217106)

Item	Article no.	Description	Quantity
4.1		SEPARATOR_SICLEAN_COMFORT-30	1
4.2	4215044	BAR-MAGNETIC-300x23x11,5 VP.	1
4.3	4215045	Jacket. aim.Clean comf 300x23x11.5 VP.	1
4.4	4215046	Kit Screws M8X25	1



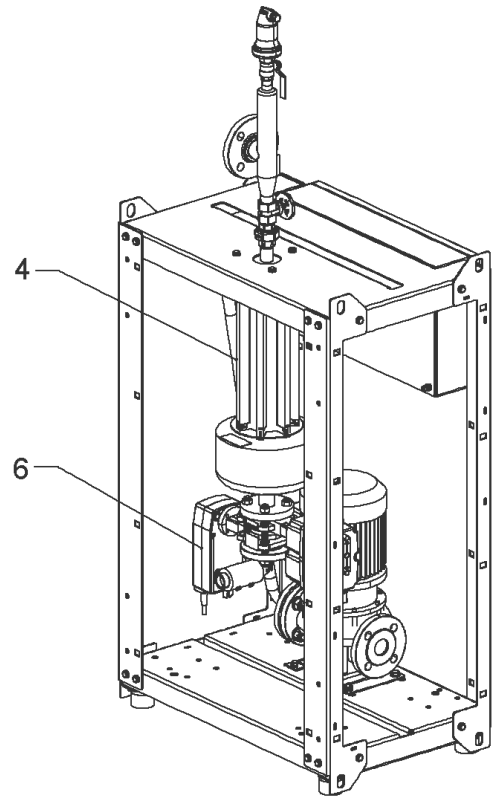
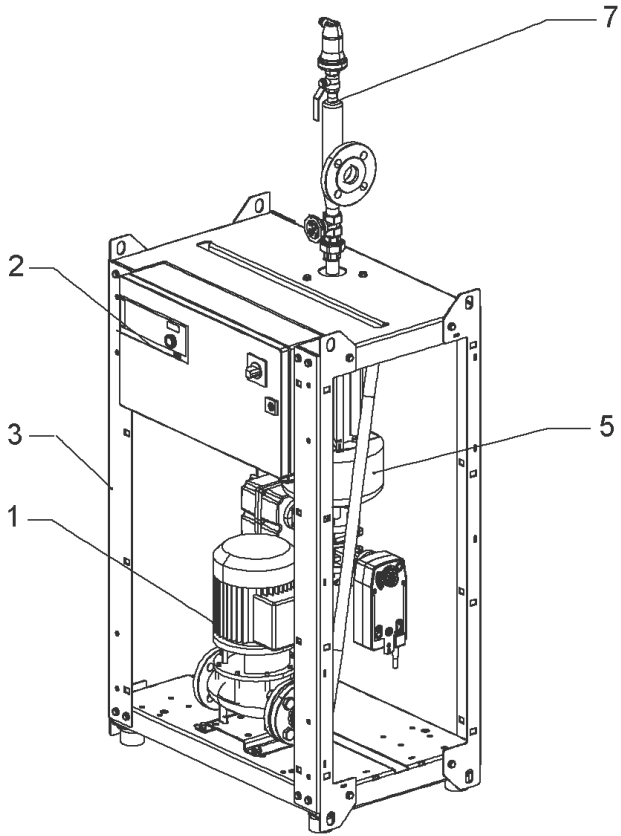
Purge SiClean comfort KIT (4215049)

Item	Article no.	Description	Quantity
6.1	4215050	BUTTERFLY VALVE _PN16_304_F05 VP.	1
6.2	4216698	SERVOMOTOR-24V VP.	1
6.3	4215055	SPACER DN25-71x34x10 VP.	1
6.4	4215056	SERVOMOT_SECURITE_NF20NmAC/DC-24V_3M VP.	1
6.5	4215057	CBV_1"_DN25_PN16_ACIER_ZN_BL VP.	1
6.6	4215058	STUD BOLT VP.	1
6.7	4215059	LEAK-SENSOR-1"-M/F KIT.	1



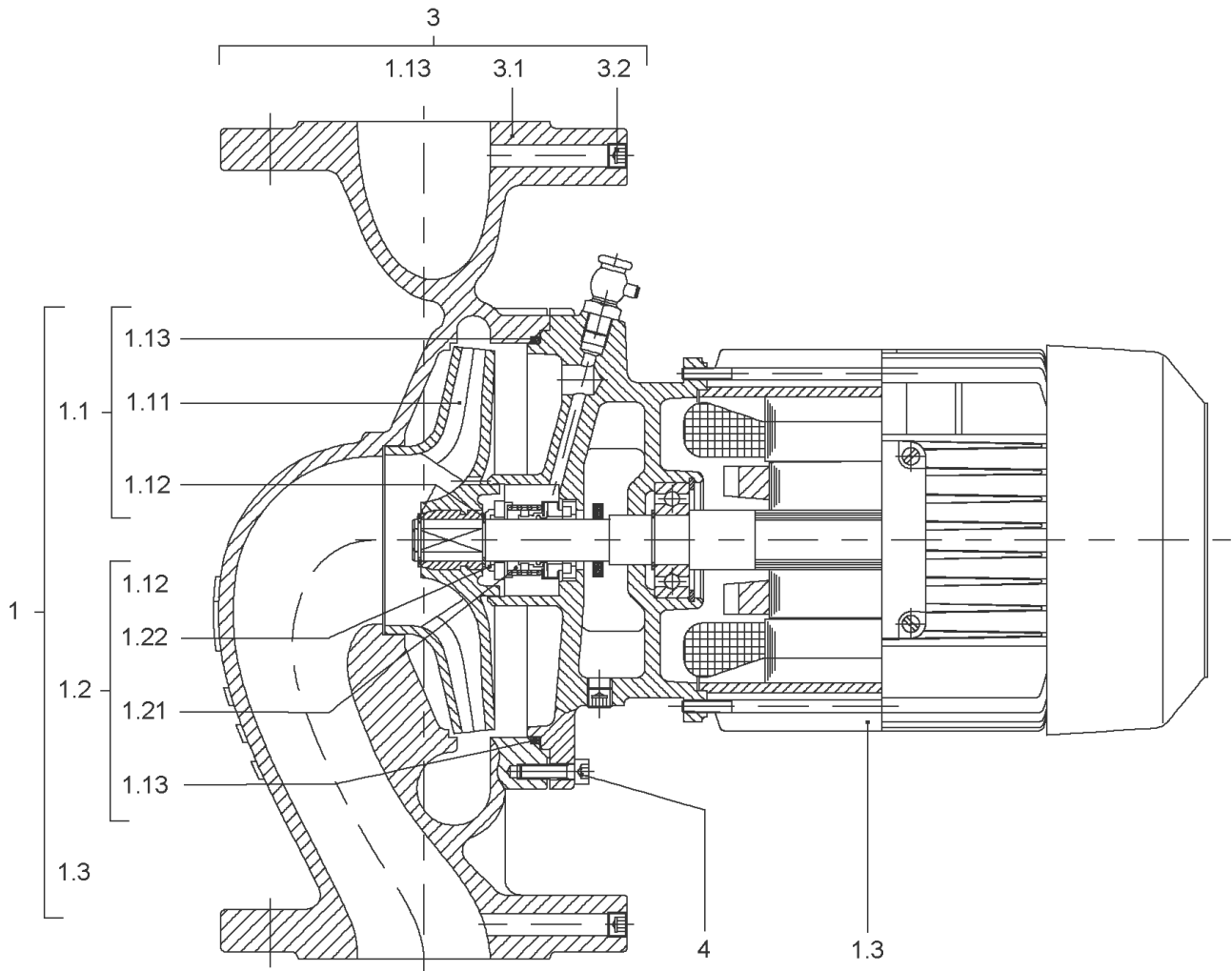
Separator outlet SiClean comf. 30 KIT (4216862)

Item	Article no.	Description	Quantity
7.1	4217146	De-aerator SiClean 30 Kit	1
7.11	4216789	> GF341-LAITON-1"1/4-UNION-M/F VP.	1
7.12	4216803	> GATE VALVE PD-1"1/4-F/F-PN10-Laiton VP.	1
7.13		> Degazing unit SiClean comfort 30	1
7.14	4215096	> VALVE-BS-1/2"-M/F-PS10-BRASS-NICK VP.	1
7.2	4216830	CF_2"1/2-PN10/16-Steel_ZN_BL VP.	1
7.3	4215097	STEAM TRAP BRASS FEM.1/2"-10B-110°C VP.	1



SiClean comfort_40 (4194912)

Item	Article no.	Description	Quantity
1		IPL40/130-2,2/2	1
2	4217163	KIT W-Control-SC-C-1x6,3A-T34-DOL-WM	1
3	4216872	Frame SICLEAN Comfort T2 KIT	1
4	4217107	Separator SiClean COMFORT 40 KIT	1
5	4217093	Link separator SiClean 40 KIT	1
6	4215049	Purge SiClean comfort KIT	1
7	4216863	Separator outlet SiClean conf. 40 KIT	1



IPL40/130-2,2/2

Item	Article no.	Description	Quantity
1	2166330	Exchange kit IPL40/130-2,2/2	1
1.1	2164051	> Impeller D.55/132/17 PPO KIT	1
1.11		>> Impeller D.55/132/17 PPO fin	1
1.12	2123932	>> CIRCLIP 17X1 DIN471 A2 1.4122 VP.	1
1.13	2046358	>> O-RING ID.164,7X3,53 E7518 VP.	1
1.2	122097593	> Mechanical seal ID.17 AQ1EGG KIT	1
1.12	2123932	>> CIRCLIP 17X1 DIN471 A2 1.4122 VP.	1
1.13	2010300	>> O-RING ID.107,54X3,53	1
1.13	2010301	>> O-RING ID.117,07X3,53	1
1.13	2054183	>> O-RING ID.158,34X3,53 E7518	1
Note: TO/ BIS/ JUSQU'À: 03/03			
1.13	2046358	>> O-RING ID.164,7X3,53 E7518 VP.	1
Note: FROM/ AB/ À PARTIR: 04/03			
1.21		>> MECHANICAL SEAL ID.17 AQ1EGG	1
1.22		>> Distance ring D.17/30X9 PPO FE1630	1
1.3		> Motor	1
		Spare parts motor 2,2/2/90 F188 IE3	1
3	2016517	PUMP HOUSING IPL40/160/IP-E40/5 KIT	1
1.13	2046358	> O-RING ID.164,7X3,53 E7518 VP.	1
3.1		> PUMP HOUSING IP-E40/160 CPL.WILO	1
4	2052495	SCREW M6X20 ISO4762 8.8 (8 PIECES)	1

Motor-Typenschild / Motor type plate / Plaque identité moteur

Bei Ersatzteilbestellung Motorhersteller / Motordaten beachten!

Consider motor manufacturers / motor data for order of spare parts!

Pour les commandes de pièce détachée, indiquer le fabricant / les données du moteur!

Motor-Nummer
motor number
numéro du moteur

ATB

3~Mot.	AF132S/2F-11S+E2/0509	IE3-88,1%	
S1	132S IMV1	224039411-1	522058X
IP 55	Th. Cl. 155(F)	SCHWINGGROESSENSTUFE B	
KD_NR.2064705			
kW	V	Hz	A
7,5	Y/Δ 690/400	50	7,9 / 13,7
7,5	D460	60	11,8
Made in Germany		50 kg	EN 60034

Motor-Nummer
motor number
numéro du moteur

TEE

		ELECTRIC MOTORS ARCELIK A.S. - TURKEY				IE3	
3~Mot Q2E FS 80M2D80-F188cl F		S1	Kg 13				
N° 0001		04012011		IP55 IM-		IEC 60034 VDE 0530	
V	Hz	min ⁻¹	kW	Cosφ	A	η	Load Efficiency
230/400	50	2885	1.1	0.83	4.2 / 2.4	IE3-79.6%	%50 76,1%
265/460	60	3460	1.27	0.83	4.0 / 2.3		%75 79,1%

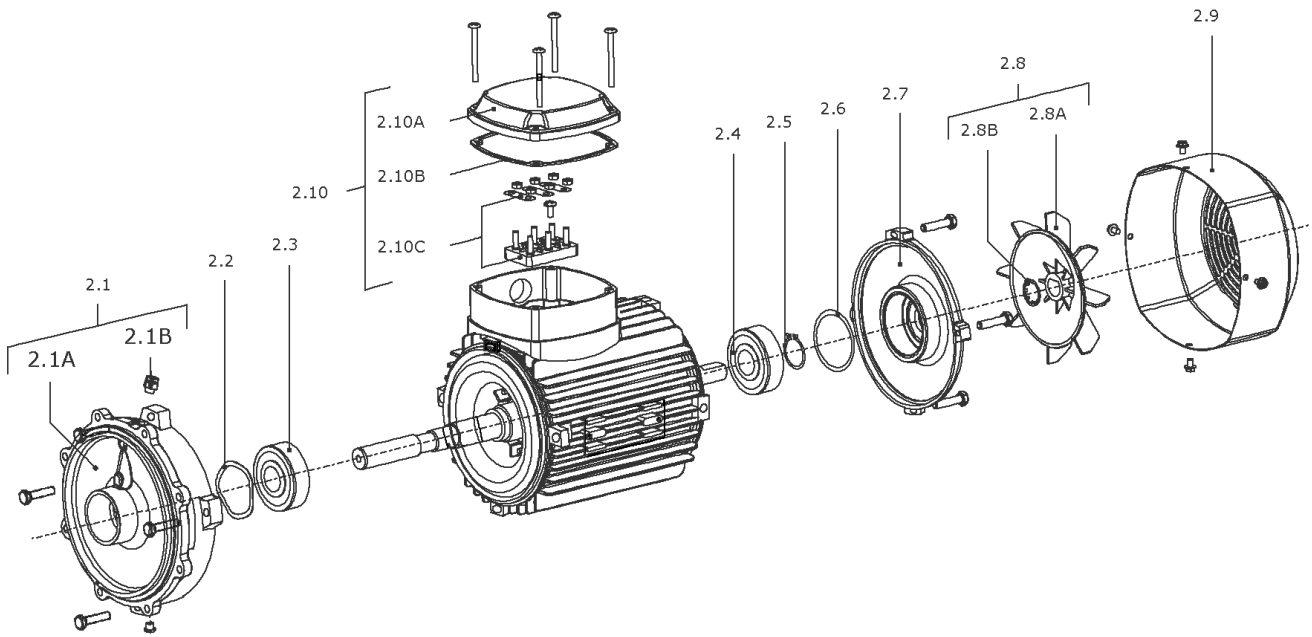
ELEC

Motor-Nummer
motor number
numéro du moteur

3~Induction Motor			
Made by WILLO Group			
3501437	W080090-2-F188		0902.001
Class F	S1	IP55	13.5kg EN60034
50Hz	1.10kW	2850min ⁻¹	60Hz 1.29kW 3435min ⁻¹
Y/Δ	230/400V	4.02/2.32A	Y 440-480V 2.40-2.32A
Cosφ =0.82	IE2-81.5%		Cosφ =0.85 IE3-82.5%

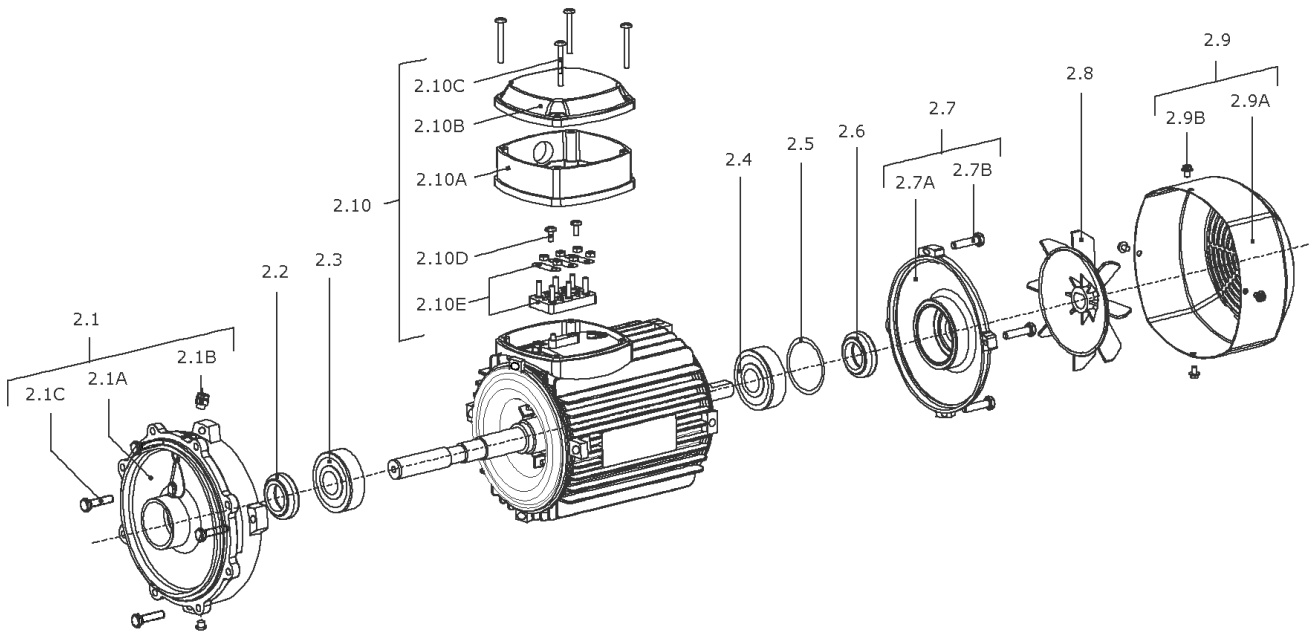
Spare parts motor 2,2/2/90 F188 IE3

Item	Description	Quantity
ATB	MOTOR 2,2/2/90 F188 ATB IE3	1
TEE	Motor 2,2/2/90 F188 TEE IE3	1
ELEC	W090110-2-F188L 400V/50Hz 2.2kW IE3	1



MOTOR 2,2/2/90 F188 ATB IE3

Item	Article no.	Description	Quantity
2.1	2174774	End shield BG90 D.E.ATB KIT	1
Note: Please give the data from type plate of the motor			
2.1A		> End shield BG90 500438 D.E.ATB	1
2.1B	2027201	> BLOWGUN R1/8" VP.	1
Note: Please give the data from type plate of the motor			
2.2	2096256	SHIM BALL BEARING BG90/100 ATB VP.	1
Note: Please give the data from type plate of the motor			
2.3	121083998	BALL BEARING 6205/2Z-C3 (HT) VP.	1
Note: Please give the data from type plate of the motor			
2.4	121083998	BALL BEARING 6205/2Z-C3 (HT) VP.	1
Note: Please give the data from type plate of the motor			
2.5	2112922	CIRCLIP 25X1,2 DIN471 ATB VP.	1
Note: Please give the data from type plate of the motor			
2.5	2112677	CIRCLIP 52X2 J ATB VP.	1
Note: Please give the data from type plate of the motor			
2.6	2096272	SPACER DISC BG80-100 ATB VP.	1
Note: Please give the data from type plate of the motor			
2.7	2174787	End shield BG90 N.D.E.ATB VP.	1
Note: Please give the data from type plate of the motor			
2.8	2161046	Fan wheel BG90 ATB KIT	1
Note: Please give the data from type plate of the motor			
2.8A		> Fan wheel BG90 500069 ATB	1
2.8B	2047016	> CORRUGATED SLEEVE RING BG90/100 ATB VP.	1
Note: Please give the data from type plate of the motor			
2.9	2168891	Fan housing BG90 ATB VP.	1
Note: Please give the data from type plate of the motor			
2.10	2145419	Terminal box cpl.BG90 ATB KIT	1
Note: Please give the data from type plate of the motor			
2.10A	2160988	> Terminal box cover BG90 ATB VP.	1
Note: Please give the data from type plate of the motor			
2.10C	2150996	> Terminal board cpl.BG56-132 ATB VP.	1
Note: Please give the data from type plate of the motor			

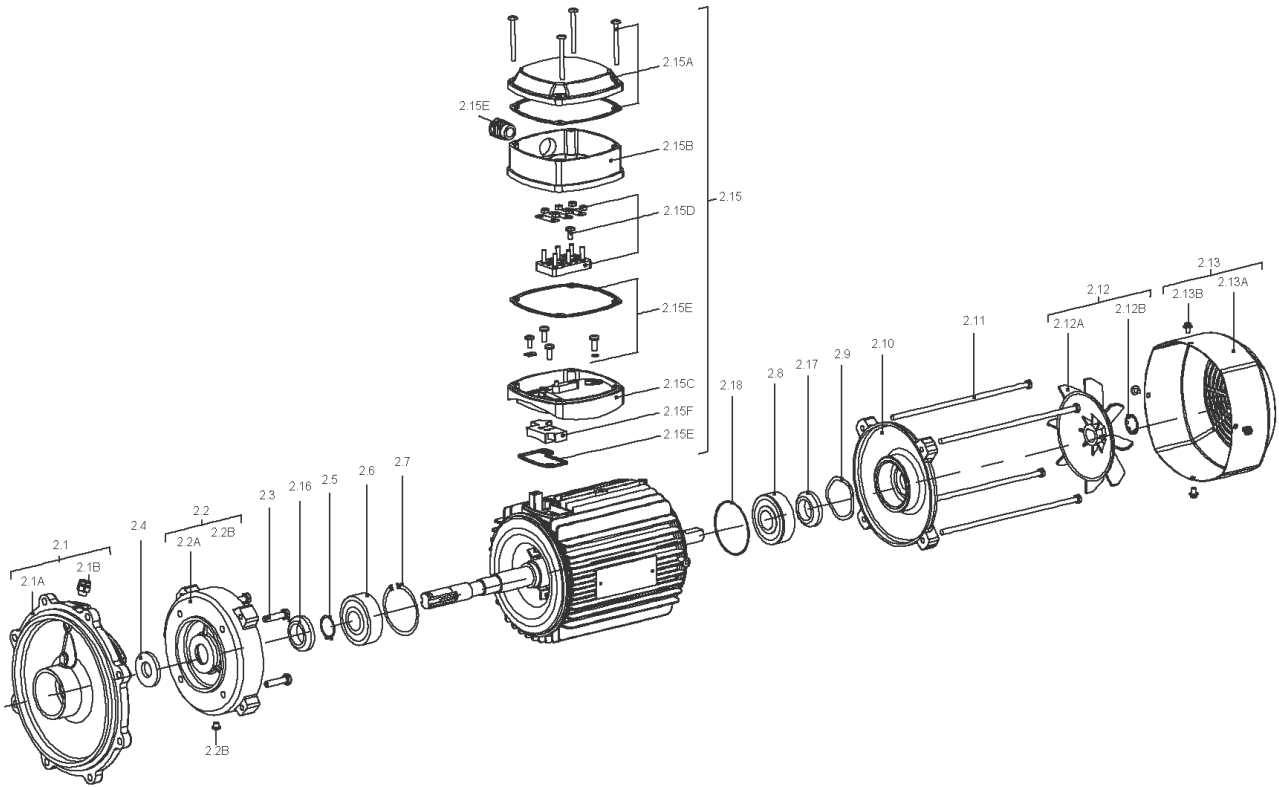


Motor 2,2/2/90 F188 TEE IE3

Item	Article no.	Description	Quantity
2.1	2116816	END SHIELD BG90-F188 D.E.TEE KIT	1
Note: Please give the data from type plate of the motor			
2.1A		> END SHIELD BG90 644304701-K D.E.TEE	1
2.1B	2027201	> BLOWGUN R1/8" VP.	1
Note: Please give the data from type plate of the motor			
2.1C	2118357	> SCREW F.END SHIELD BG90 TEE(8 PIECES)	1
Note: Please give the data from type plate of the motor			
2.3	2046946	ball bearing 6205/2RS-C3 (HT) VP.	1
Note: Please give the data from type plate of the motor			
2.4	121083998	BALL BEARING 6205/2Z-C3 (HT) VP.	1
Note: Please give the data from type plate of the motor			
2.5	2118361	SPACER DISK BG90-100 TEE VP.	1
Note: Please give the data from type plate of the motor			
2.6	2096378	JOINT RING 25X40X7 TEE VP.	1
2.7	2116833	END SHIELD BG90-F170/188 BTS.TEE KIT	1
Note: Please give the data from type plate of the motor			
2.7A		> END SHIELD BG90 643225301 N.D.E.TEE	1
2.7B	2118357	> SCREW F.END SHIELD BG90 TEE(8 PIECES)	1
Note: Please give the data from type plate of the motor			
2.8	2042821	FAN WHEEL BG80/90 TEE VP.	1
Note: Please give the data from type plate of the motor			
2.9	2118382	FAN HOUSING BG90 TEE KIT	1
Note: Please give the data from type plate of the motor			
2.9A		> FAN HOUSING BG90 643303801 TEE	1
2.9B	2116843	> SCREW F.FAN COVER BG90-132 TEE(4 PIECES)	1
Note: Please give the data from type plate of the motor			
2.10	2118370	TERMINAL BOX BG90-100 TEE KIT	1
Note: Please give the data from type plate of the motor			
2.10A	2116754	> TERMINAL BOX BOTTOM PART BG90-100 TEE VP	1
Note: Please give the data from type plate of the motor			
2.10B	2116762	> TERMINAL BOX COVER BG90-112 TEE VP.	1
Note: Please give the data from type plate of the motor			
2.10C	2116835	> SCREW F.TERM.BOX BG71-112 TEE (4 PIECES)	1
Note: Please give the data from type plate of the motor			

Motor 2,2/2/90 F188 TEE IE3

Item	Article no.	Description	Quantity
2.10D	2116839	> SCREW BG90-112 TEE (4 PIECE)	1
Note: Please give the data from type plate of the motor			
2.10E	2116779	> TERMINAL BOARD BG90-112 TEE KIT	1
Note: Please give the data from type plate of the motor			
		>> TERMINAL BOARD BG90-112 641611601 TEE	1
	2132506	>> FIXING TERMINAL BOARD BG80-112 TEE VP.	1

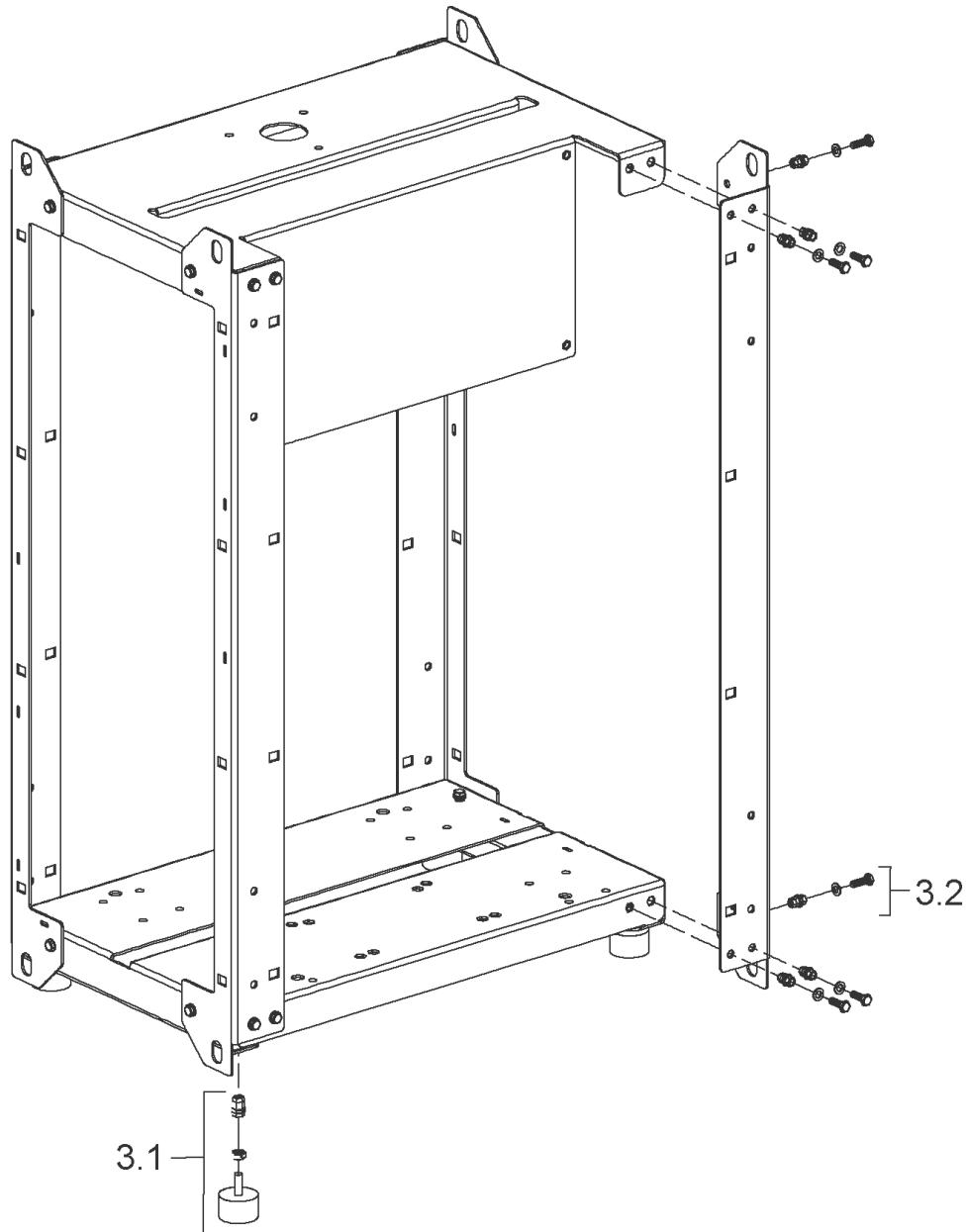


W090110-2-F188L 400V/50Hz 2.2kW IE3

Item	Article no.	Description	Quantity
2.1	2111307	FLANGE END SHIELD BG90F188 D.E.ELEC KIT	1
Note: Please give the data from type plate of the motor			
2.1A		> LANTERN V18 M115-F188 KTL	1
2.1B	2027201	> BLOWGUN R1/8" VP.	1
Note: Please give the data from type plate of the motor			
2.2	2111312	END SHIELD BG90 V18 D.E.ELEC KIT	1
Note: Please give the data from type plate of the motor			
2.2A		> Flange IEC90 V18 (w/o thread)	1
2.2B	2111309	> CONDENSATE HOLE GASKET D5 VP.	1
Note: Please give the data from type plate of the motor			
2.3	2111314	SCREW M8X40 6.8 (4 PIECES)	1
Note: Please give the data from type plate of the motor			
2.4	2111324	THROWER D.36X4 VP.	1
Note: Please give the data from type plate of the motor			
2.5	2111334	CIRCLIP D.30 GB894.1 VP.	1
Note: Please give the data from type plate of the motor			
2.6	2153170	Ball bearing 6306/VV-C3 VP.	1
Note: Please give the data from type plate of the motor			
2.7	2111337	CIRCLIP D.72 GB893.1 VP.	1
Note: Please give the data from type plate of the motor			
2.8	2153168	Ball bearing 6204/VV-C3 VP.	1
Note: Please give the data from type plate of the motor			
2.9	2111339	SPRING RING D.47 JB/T7590 VP.	1
Note: Please give the data from type plate of the motor			
2.10	2164024	End shield BG90 N.D.E.ELEC KIT	1
Note: Please give the data from type plate of the motor			
		> Flange IEC90 NDS with slot reduce0.5	1
		> O-RING ID47.2*3.53 EPDM	1
2.11	2111320	SCREW M5X211 6.8 (4 PIECES)	1
Note: Please give the data from type plate of the motor			
2.12	2107782	FAN WHEEL BG90 ELEC KIT	1
Note: Please give the data from type plate of the motor			
2.12A		> FAN 122.6X15X17 GP2200 G/F20%	1
2.12B	2111321	> STOP-RING D.14,8x0,4 VP.	1

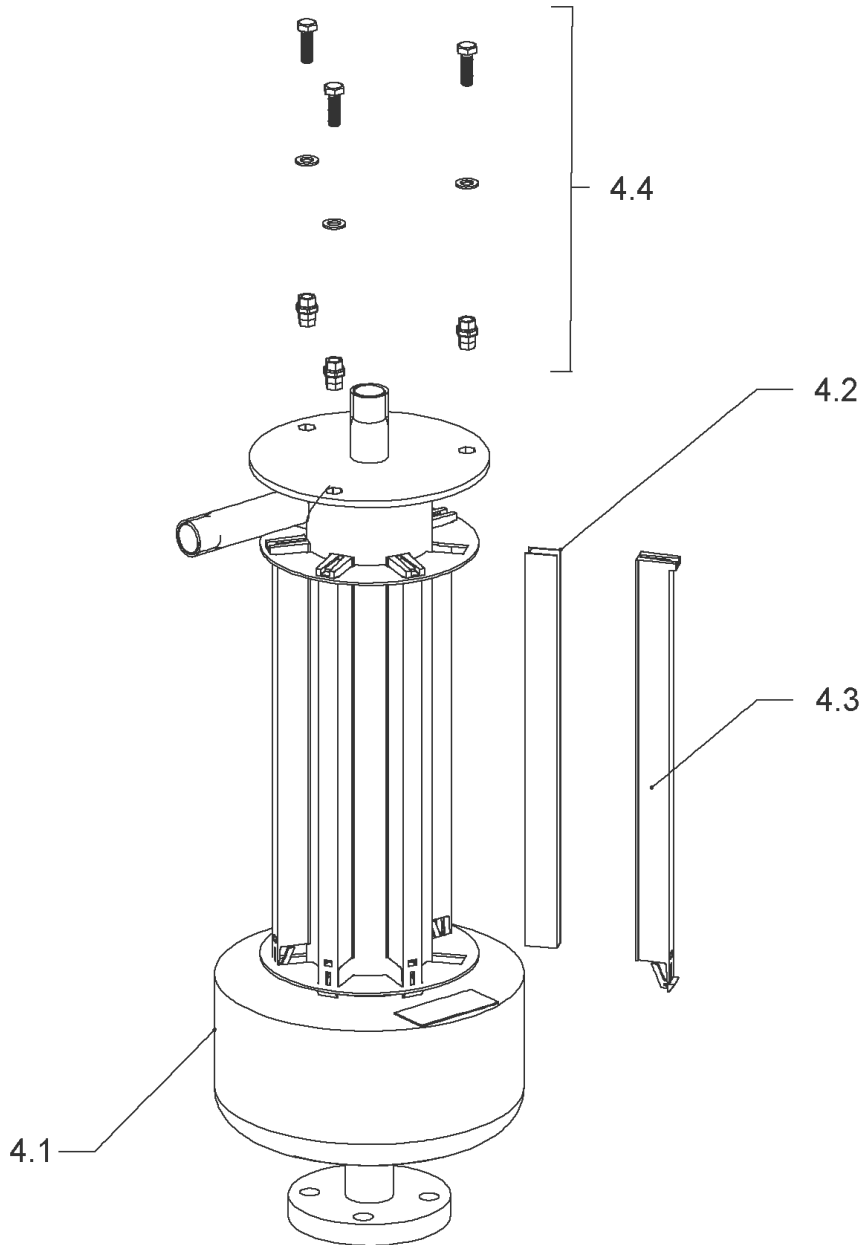
W090110-2-F188L 400V/50Hz 2.2kW IE3

Item	Article no.	Description	Quantity
Note: Please give the data from type plate of the motor			
2.13	2111322	FAN HOOD BG90 ELEC KIT	1
Note: Please give the data from type plate of the motor			
2.13A		> FAN COVER IEC90 KTL ST14 T0.8 H70	1
2.13B	2111323	> SCREW M4X6 (4 PIECES)	1
Note: Please give the data from type plate of the motor			
2.15	2162535	Terminal box cpl.BG90 ABS ELEC KIT	1
Note: Please give the data from type plate of the motor			
2.15A		> Terminal box cover 3~ ABS IEC	1
2.15B		> Terminal box 3~ ABS IEC INSERTING	1
2.15D	2111327	> TERMINAL BOARD 50X32 M4 3~ CPL. ELEC KIT	1
Note: Please give the data from type plate of the motor			
2.15E	2111329	> GASKETS/SCREWS F.TERM.BOX BG90 ELEC KIT	1
Note: Please give the data from type plate of the motor			
2.15F		> Frame Closing IEC	1
2.18	2164016	O-Ring ID47.2x3.53 EPDM VP.	1



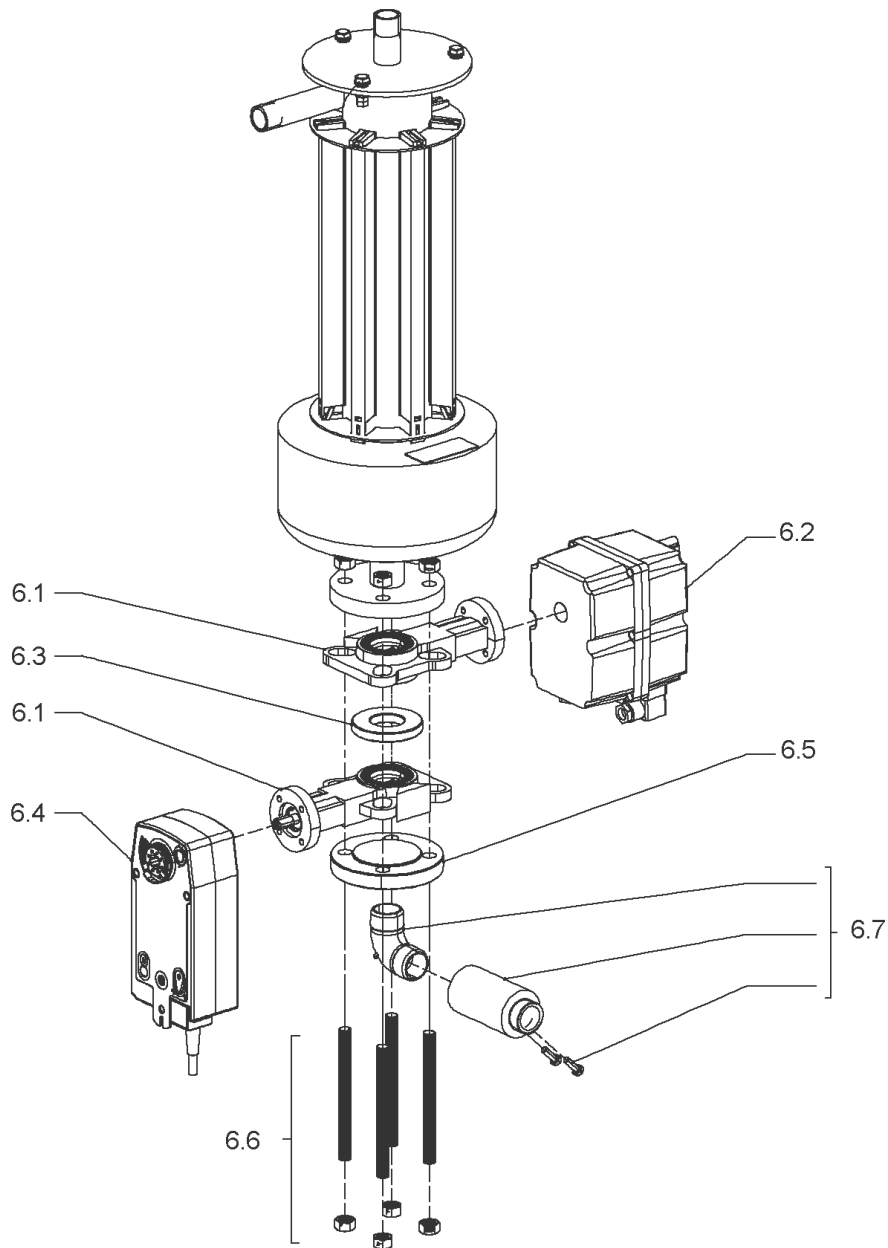
Frame SICLEAN Comfort T2 KIT (4216872)

Item	Article no.	Description	Quantity
3.1	4215041	VIBRATION DAMPER 50x30 KIT	1
3.2	4217153	Ground braid Kit	1



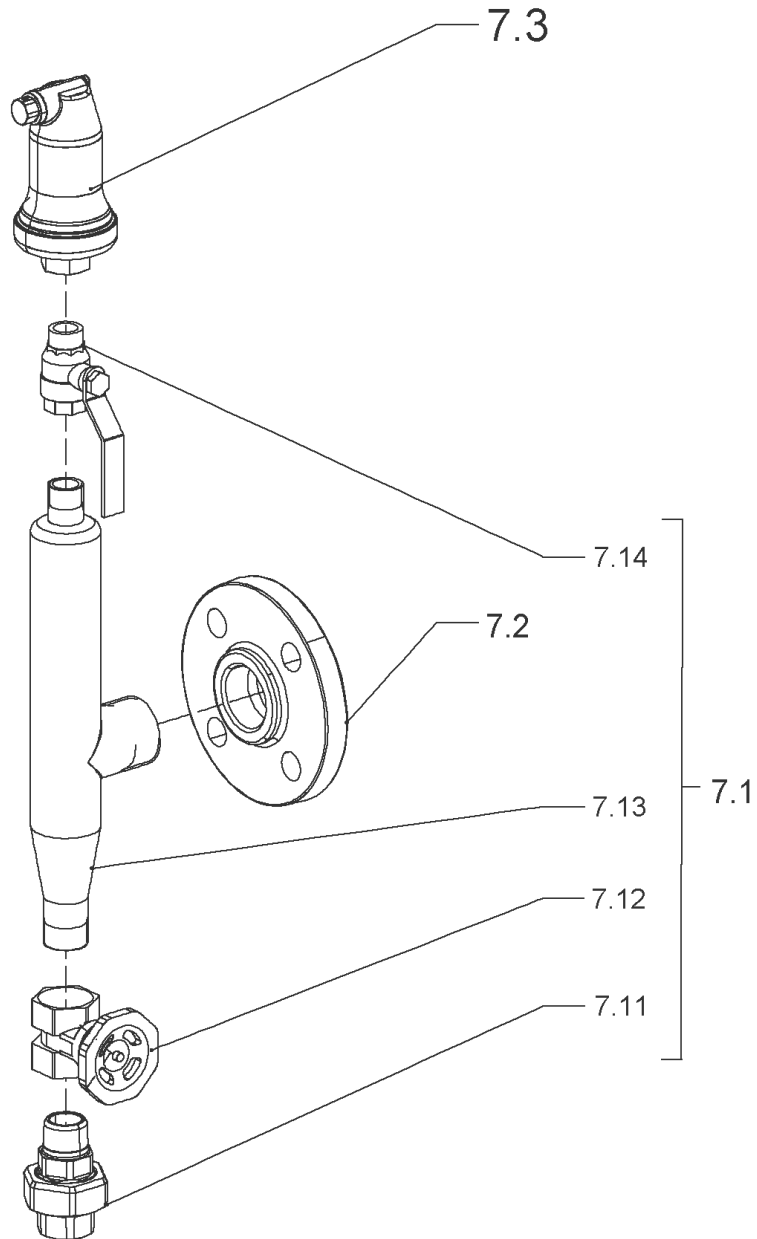
Separator SiClean COMFORT 40 KIT (4217107)

Item	Article no.	Description	Quantity
4.1		SEPARATOR_SICLEAN_COMFORT-40	1
4.2	4215044	BAR-MAGNETIC-300x23x11,5 VP.	1
4.3	4215045	Jacket. aim.Clean comf 300x23x11.5 VP.	1
4.4	4215046	Kit Screws M8X25	1



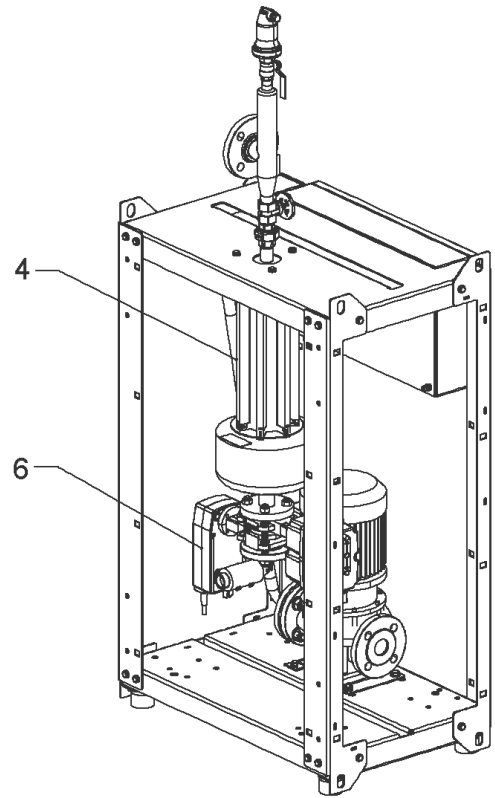
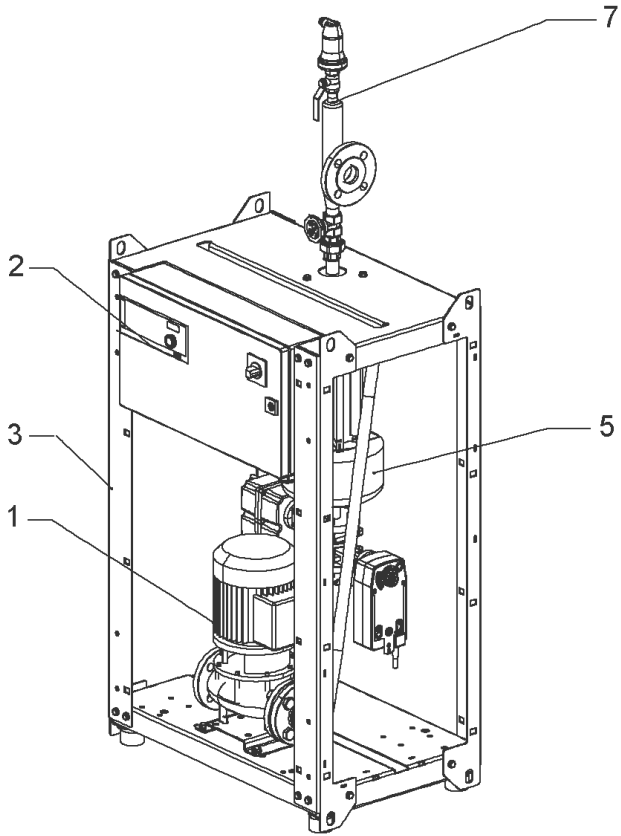
Purge SiClean comfort KIT (4215049)

Item	Article no.	Description	Quantity
6.1	4215050	BUTTERFLY VALVE _PN16_304_F05 VP.	1
6.2	4216698	SERVOMOTOR-24V VP.	1
6.3	4215055	SPACER DN25-71x34x10 VP.	1
6.4	4215056	SERVOMOT_SECURITE_NF20NmAC/DC-24V_3M VP.	1
6.5	4215057	CBV_1"_DN25_PN16_ACIER_ZN_BL VP.	1
6.6	4215058	STUD BOLT VP.	1
6.7	4215059	LEAK-SENSOR-1"-M/F KIT.	1



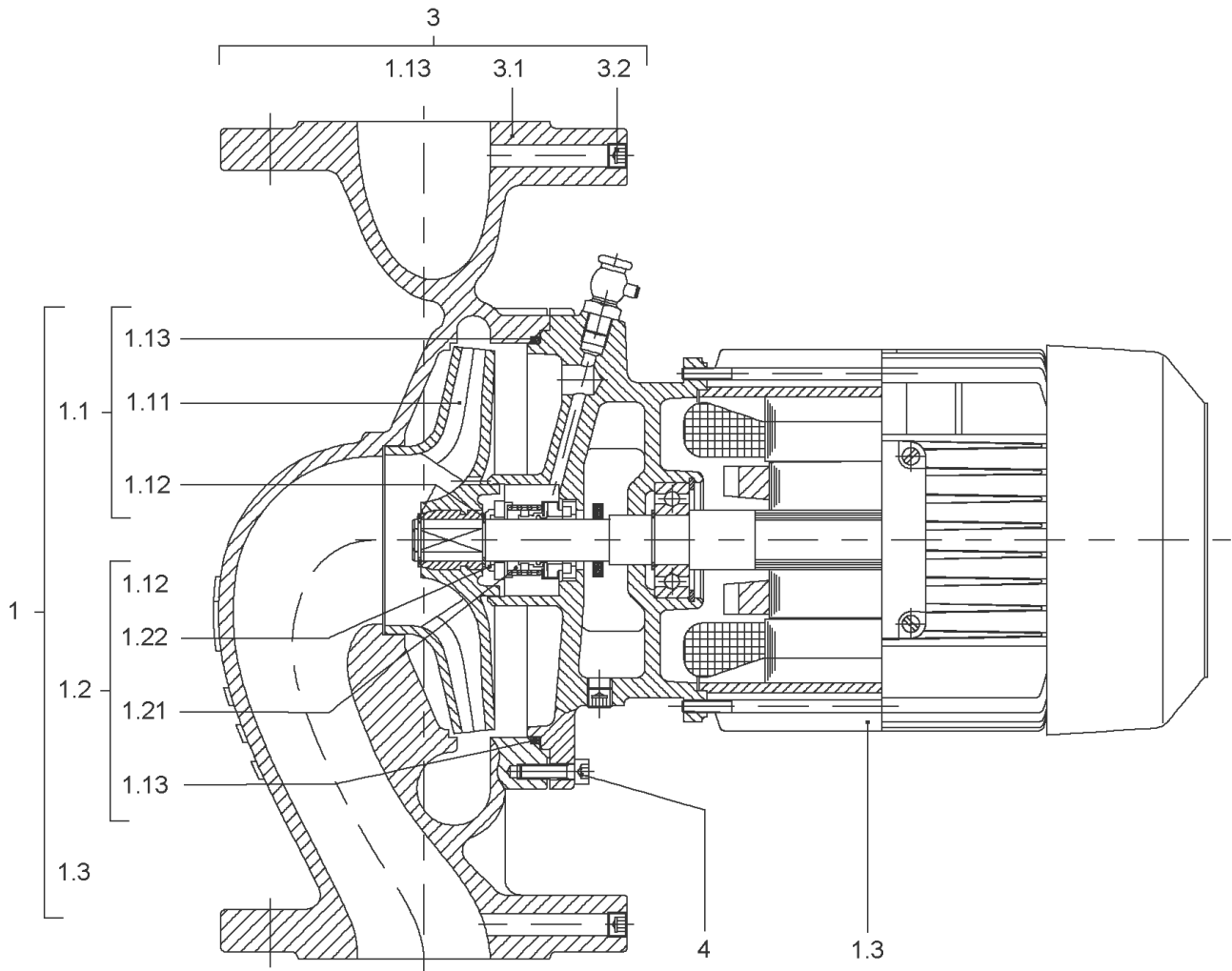
Separator outlet SiClean comf. 40 KIT (4216863)

Item	Article no.	Description	Quantity
7.1	4217147	De-aerator SiClean 40 Kit	1
7.11	4216783	> GF341-LAITON-1"1/2-UNION-M/F VP.	1
7.12	4216797	> GATE VALVE PD-1"1/2-F/F-PN10-Laiton VP.	1
7.13		> Degazing unit SiClean comfort 40	1
7.14	4207908	> VALVE-BS-1/2"-M/F-PS10-BRASS-NICK VP.	1
7.2	4216831	CF_3"-PN10/16-Steel_ZN_BL VP.	1
7.3	4215097	STEAM TRAP BRASS FEM.1/2"-10B-110°C VP.	1



SiClean comfort_50 (4194913)

Item	Article no.	Description	Quantity
1		IPL50/130-2,2/2	1
2	4217163	KIT W-Control-SC-C-1x6,3A-T34-DOL-WM	1
3	4216872	Frame SICLEAN Comfort T2 KIT	1
4	4217108	Separator SiClean COMFORT 50 KIT	1
5	4217094	Link separator SiClean 50 KIT	1
6	4215049	Purge SiClean comfort KIT	1
7	4216864	Separator outlet SiClean conf. 50 KIT	1



IPL50/130-2,2/2

Item	Article no.	Description	Quantity
1	2166339	Exchange kit IPL50/130-2,2/2	1
1.1	2153162	> Impeller 50/160-123/17 PPO KIT	1
1.11		>> Impeller 50/160-123/17 PPO FE1630 fin	1
1.12	2123932	>> CIRCLIP 17X1 DIN471 A2 1.4122 VP.	1
1.13	2046358	>> O-RING ID.164,7X3,53 E7518 VP.	1
1.2	122097593	> Mechanical seal ID.17 AQ1EGG KIT	1
1.12	2123932	>> CIRCLIP 17X1 DIN471 A2 1.4122 VP.	1
1.13	2010300	>> O-RING ID.107,54X3,53	1
1.13	2010301	>> O-RING ID.117,07X3,53	1
1.13	2054183	>> O-RING ID.158,34X3,53 E7518	1
Note: TO/ BIS/ JUSQU'À: 03/03			
1.13	2046358	>> O-RING ID.164,7X3,53 E7518 VP.	1
Note: FROM/ AB/ À PARTIR: 04/03			
1.21		>> MECHANICAL SEAL ID.17 AQ1EGG	1
1.22		>> Distance ring D.17/30X9 PPO FE1630	1
1.3		> Motor	1
		Spare parts motor 2,2/2/90 F188 IE3	1
3	2016519	PUMP HOUSING IPL50/160/IP-E50/5 KIT	1
1.13	2046358	> O-RING ID.164,7X3,53 E7518 VP.	1
3.1		> PUMP HOUSING IP-E50/160 CPL.WILO	1
4	2052495	SCREW M6X20 ISO4762 8.8 (8 PIECES)	1

Motor-Typenschild / Motor type plate / Plaque identité moteur

Bei Ersatzteilbestellung Motorhersteller / Motordaten beachten!

Consider motor manufacturers / motor data for order of spare parts!

Pour les commandes de pièce détachée, indiquer le fabricant / les données du moteur!

Motor-Nummer
motor number
numéro du moteur

ATB

3~Mot.	AF132S/2F-11S+E2/0509	IE3-88,1%	
S1	132S IMV1	224039411-1	522058X
IP 55	Th. Cl. 155(F)	SCHWINGGROESSENSTUFE B	
KD_NR.2064705			
kW	V	Hz	A
7,5	Y/Δ 690/400	50	7,9 / 13,7
7,5	D460	60	11,8
Made in Germany		50 kg	EN 60034

Motor-Nummer
motor number
numéro du moteur

TEE

		ELECTRIC MOTORS		ARCELIK A.S. - TURKEY				IE3	
3~Mot Q2E FS 80M2D80-F188cl F		S1		Kg 13					
N° 0001		04012011		IP55 IM-				IEC 60034	
								VDE 0530	
V	Hz	min ⁻¹	kW	Cosφ	A	η	Load	Efficiency	
230/400	50	2885	1.1	0.83	4.2 / 2.4	IE3-79.6%	%50	76,1%	
265/460	60	3460	1.27	0.83	4.0 / 2.3		%75	79,1%	

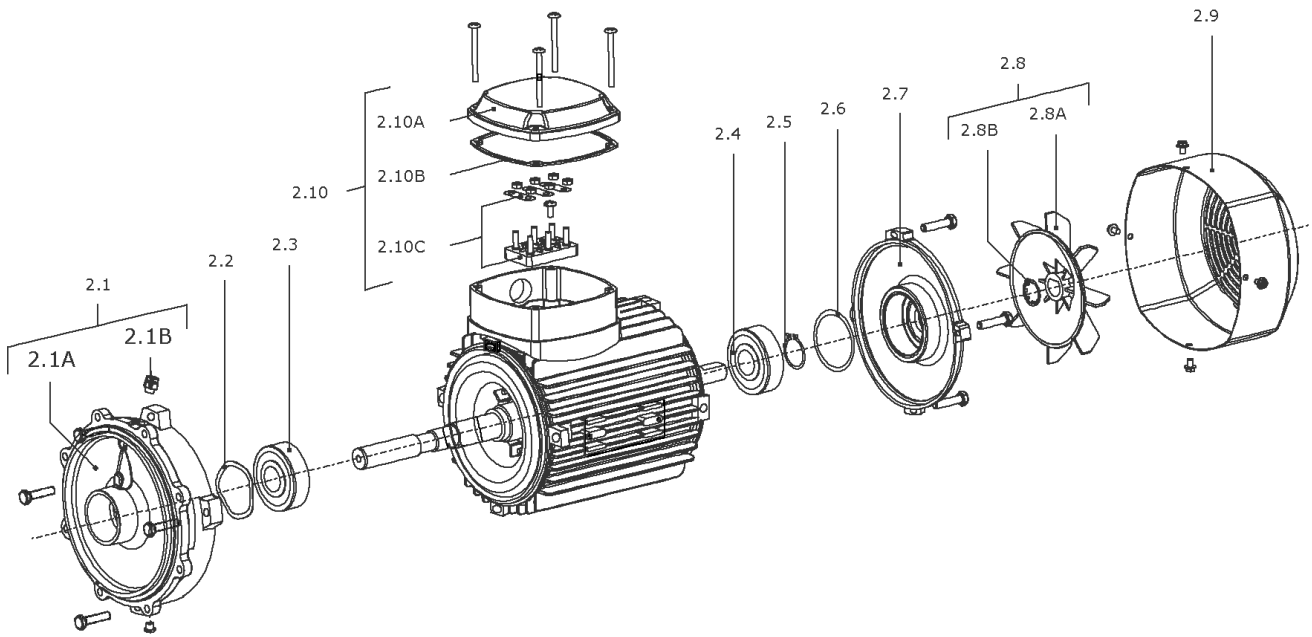
ELEC

Motor-Nummer
motor number
numéro du moteur

3~Induction Motor			
Made by WILLO Group			
3501437	W080090-2-F188		0902.001
Class F	S1	IP55	13.5kg EN60034
50Hz	1.10kW	2850min ⁻¹	60Hz 1.29kW 3435min ⁻¹
Y/Δ	230/400V	4.02/2.32A	Y 440-480V 2.40-2.32A
Cosφ =0.82	IE2-81.5%		Cosφ =0.85 IE3-82.5%

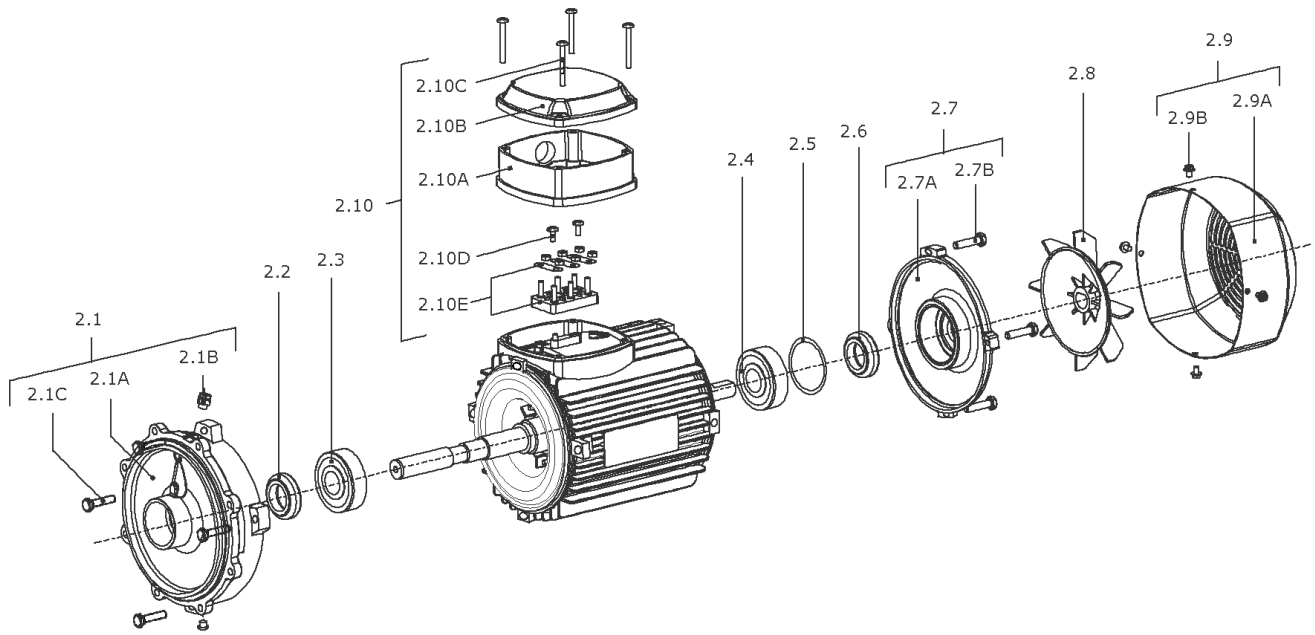
Spare parts motor 2,2/2/90 F188 IE3

Item	Description	Quantity
ATB	MOTOR 2,2/2/90 F188 ATB IE3	1
TEE	Motor 2,2/2/90 F188 TEE IE3	1
ELEC	W090110-2-F188L 400V/50Hz 2.2kW IE3	1



MOTOR 2,2/2/90 F188 ATB IE3

Item	Article no.	Description	Quantity
2.1	2174774	End shield BG90 D.E.ATB KIT	1
Note: Please give the data from type plate of the motor			
2.1A		> End shield BG90 500438 D.E.ATB	1
2.1B	2027201	> BLOWGUN R1/8" VP.	1
Note: Please give the data from type plate of the motor			
2.2	2096256	SHIM BALL BEARING BG90/100 ATB VP.	1
Note: Please give the data from type plate of the motor			
2.3	121083998	BALL BEARING 6205/2Z-C3 (HT) VP.	1
Note: Please give the data from type plate of the motor			
2.4	121083998	BALL BEARING 6205/2Z-C3 (HT) VP.	1
Note: Please give the data from type plate of the motor			
2.5	2112922	CIRCLIP 25X1,2 DIN471 ATB VP.	1
Note: Please give the data from type plate of the motor			
2.5	2112677	CIRCLIP 52X2 J ATB VP.	1
Note: Please give the data from type plate of the motor			
2.6	2096272	SPACER DISC BG80-100 ATB VP.	1
Note: Please give the data from type plate of the motor			
2.7	2174787	End shield BG90 N.D.E.ATB VP.	1
Note: Please give the data from type plate of the motor			
2.8	2161046	Fan wheel BG90 ATB KIT	1
Note: Please give the data from type plate of the motor			
2.8A		> Fan wheel BG90 500069 ATB	1
2.8B	2047016	> CORRUGATED SLEEVE RING BG90/100 ATB VP.	1
Note: Please give the data from type plate of the motor			
2.9	2168891	Fan housing BG90 ATB VP.	1
Note: Please give the data from type plate of the motor			
2.10	2145419	Terminal box cpl.BG90 ATB KIT	1
Note: Please give the data from type plate of the motor			
2.10A	2160988	> Terminal box cover BG90 ATB VP.	1
Note: Please give the data from type plate of the motor			
2.10C	2150996	> Terminal board cpl.BG56-132 ATB VP.	1
Note: Please give the data from type plate of the motor			

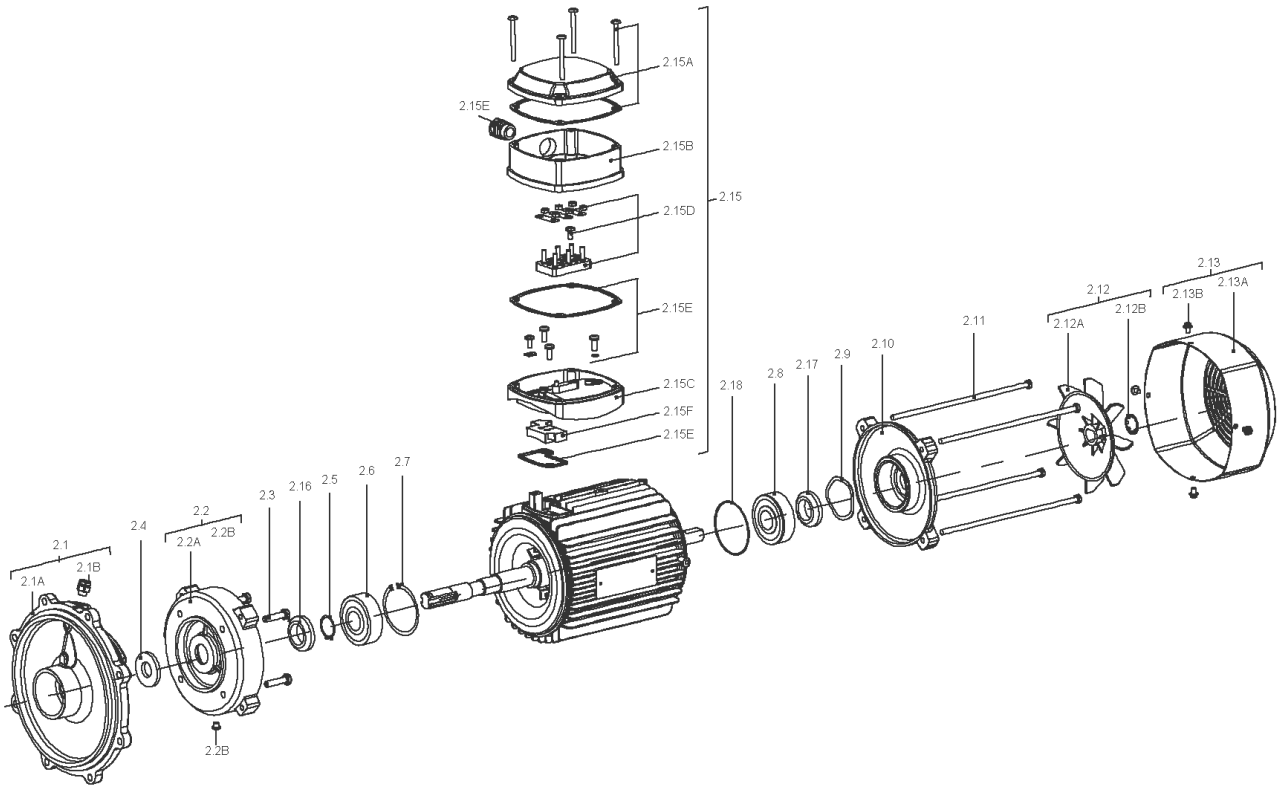


Motor 2,2/2/90 F188 TEE IE3

Item	Article no.	Description	Quantity
2.1	2116816	END SHIELD BG90-F188 D.E.TEE KIT	1
Note: Please give the data from type plate of the motor			
2.1A		> END SHIELD BG90 644304701-K D.E.TEE	1
2.1B	2027201	> BLOWGUN R1/8" VP.	1
Note: Please give the data from type plate of the motor			
2.1C	2118357	> SCREW F.END SHIELD BG90 TEE(8 PIECES)	1
Note: Please give the data from type plate of the motor			
2.3	2046946	ball bearing 6205/2RS-C3 (HT) VP.	1
Note: Please give the data from type plate of the motor			
2.4	121083998	BALL BEARING 6205/2Z-C3 (HT) VP.	1
Note: Please give the data from type plate of the motor			
2.5	2118361	SPACER DISK BG90-100 TEE VP.	1
Note: Please give the data from type plate of the motor			
2.6	2096378	JOINT RING 25X40X7 TEE VP.	1
2.7	2116833	END SHIELD BG90-F170/188 BTS.TEE KIT	1
Note: Please give the data from type plate of the motor			
2.7A		> END SHIELD BG90 643225301 N.D.E.TEE	1
2.7B	2118357	> SCREW F.END SHIELD BG90 TEE(8 PIECES)	1
Note: Please give the data from type plate of the motor			
2.8	2042821	FAN WHEEL BG80/90 TEE VP.	1
Note: Please give the data from type plate of the motor			
2.9	2118382	FAN HOUSING BG90 TEE KIT	1
Note: Please give the data from type plate of the motor			
2.9A		> FAN HOUSING BG90 643303801 TEE	1
2.9B	2116843	> SCREW F.FAN COVER BG90-132 TEE(4 PIECES)	1
Note: Please give the data from type plate of the motor			
2.10	2118370	TERMINAL BOX BG90-100 TEE KIT	1
Note: Please give the data from type plate of the motor			
2.10A	2116754	> TERMINAL BOX BOTTOM PART BG90-100 TEE VP	1
Note: Please give the data from type plate of the motor			
2.10B	2116762	> TERMINAL BOX COVER BG90-112 TEE VP.	1
Note: Please give the data from type plate of the motor			
2.10C	2116835	> SCREW F.TERM.BOX BG71-112 TEE (4 PIECES)	1
Note: Please give the data from type plate of the motor			

Motor 2,2/2/90 F188 TEE IE3

Item	Article no.	Description	Quantity
2.10D	2116839	> SCREW BG90-112 TEE (4 PIECE)	1
Note: Please give the data from type plate of the motor			
2.10E	2116779	> TERMINAL BOARD BG90-112 TEE KIT	1
Note: Please give the data from type plate of the motor			
		>> TERMINAL BOARD BG90-112 641611601 TEE	1
	2132506	>> FIXING TERMINAL BOARD BG80-112 TEE VP.	1

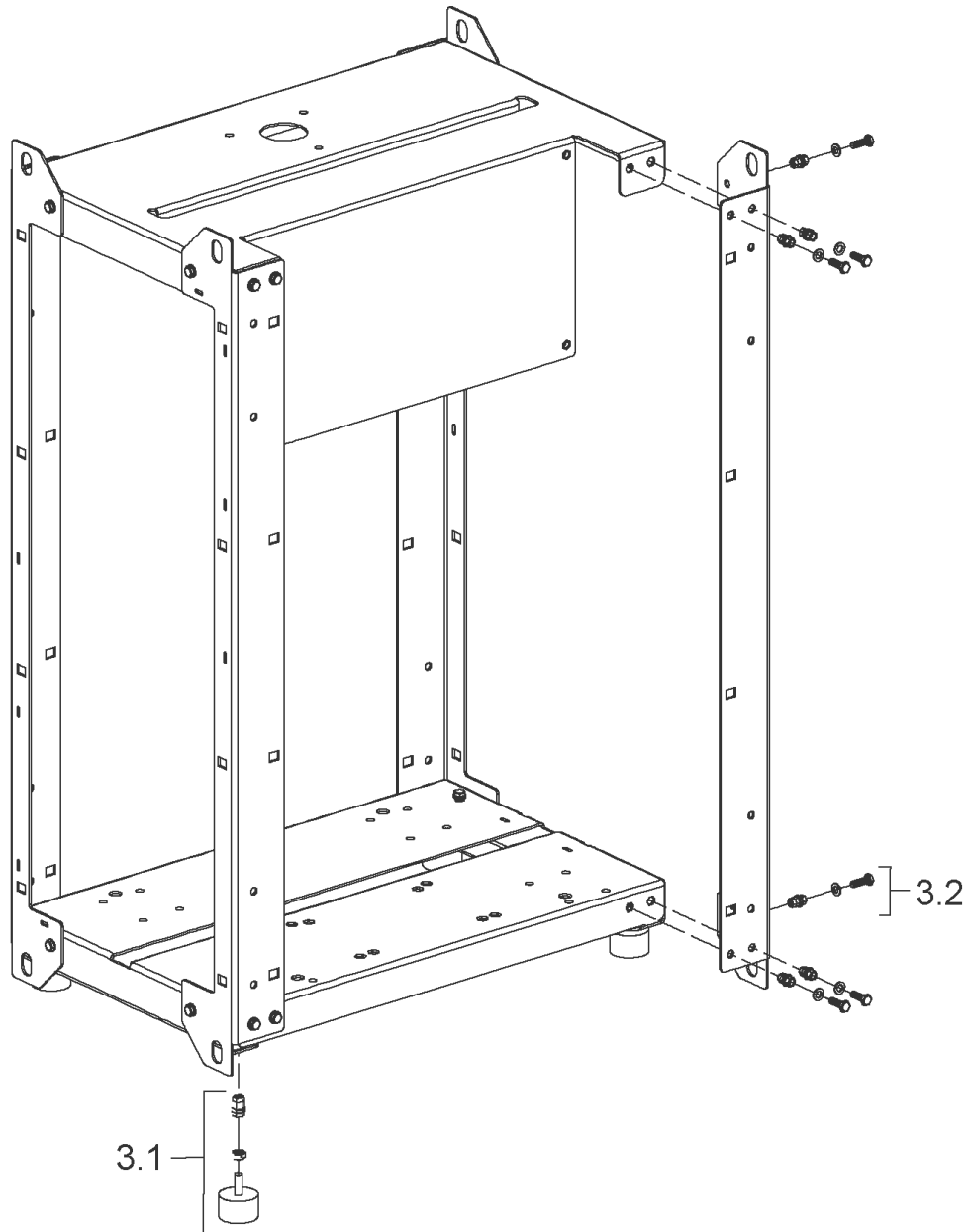


W090110-2-F188L 400V/50Hz 2.2kW IE3

Item	Article no.	Description	Quantity
2.1	2111307	FLANGE END SHIELD BG90F188 D.E.ELEC KIT	1
Note: Please give the data from type plate of the motor			
2.1A		> LANTERN V18 M115-F188 KTL	1
2.1B	2027201	> BLOWGUN R1/8" VP.	1
Note: Please give the data from type plate of the motor			
2.2	2111312	END SHIELD BG90 V18 D.E.ELEC KIT	1
Note: Please give the data from type plate of the motor			
2.2A		> Flange IEC90 V18 (w/o thread)	1
2.2B	2111309	> CONDENSATE HOLE GASKET D5 VP.	1
Note: Please give the data from type plate of the motor			
2.3	2111314	SCREW M8X40 6.8 (4 PIECES)	1
Note: Please give the data from type plate of the motor			
2.4	2111324	THROWER D.36X4 VP.	1
Note: Please give the data from type plate of the motor			
2.5	2111334	CIRCLIP D.30 GB894.1 VP.	1
Note: Please give the data from type plate of the motor			
2.6	2153170	Ball bearing 6306/VV-C3 VP.	1
Note: Please give the data from type plate of the motor			
2.7	2111337	CIRCLIP D.72 GB893.1 VP.	1
Note: Please give the data from type plate of the motor			
2.8	2153168	Ball bearing 6204/VV-C3 VP.	1
Note: Please give the data from type plate of the motor			
2.9	2111339	SPRING RING D.47 JB/T7590 VP.	1
Note: Please give the data from type plate of the motor			
2.10	2164024	End shield BG90 N.D.E.ELEC KIT	1
Note: Please give the data from type plate of the motor			
		> Flange IEC90 NDS with slot reduce0.5	1
		> O-RING ID47.2*3.53 EPDM	1
2.11	2111320	SCREW M5X211 6.8 (4 PIECES)	1
Note: Please give the data from type plate of the motor			
2.12	2107782	FAN WHEEL BG90 ELEC KIT	1
Note: Please give the data from type plate of the motor			
2.12A		> FAN 122.6X15X17 GP2200 G/F20%	1
2.12B	2111321	> STOP-RING D.14,8x0,4 VP.	1

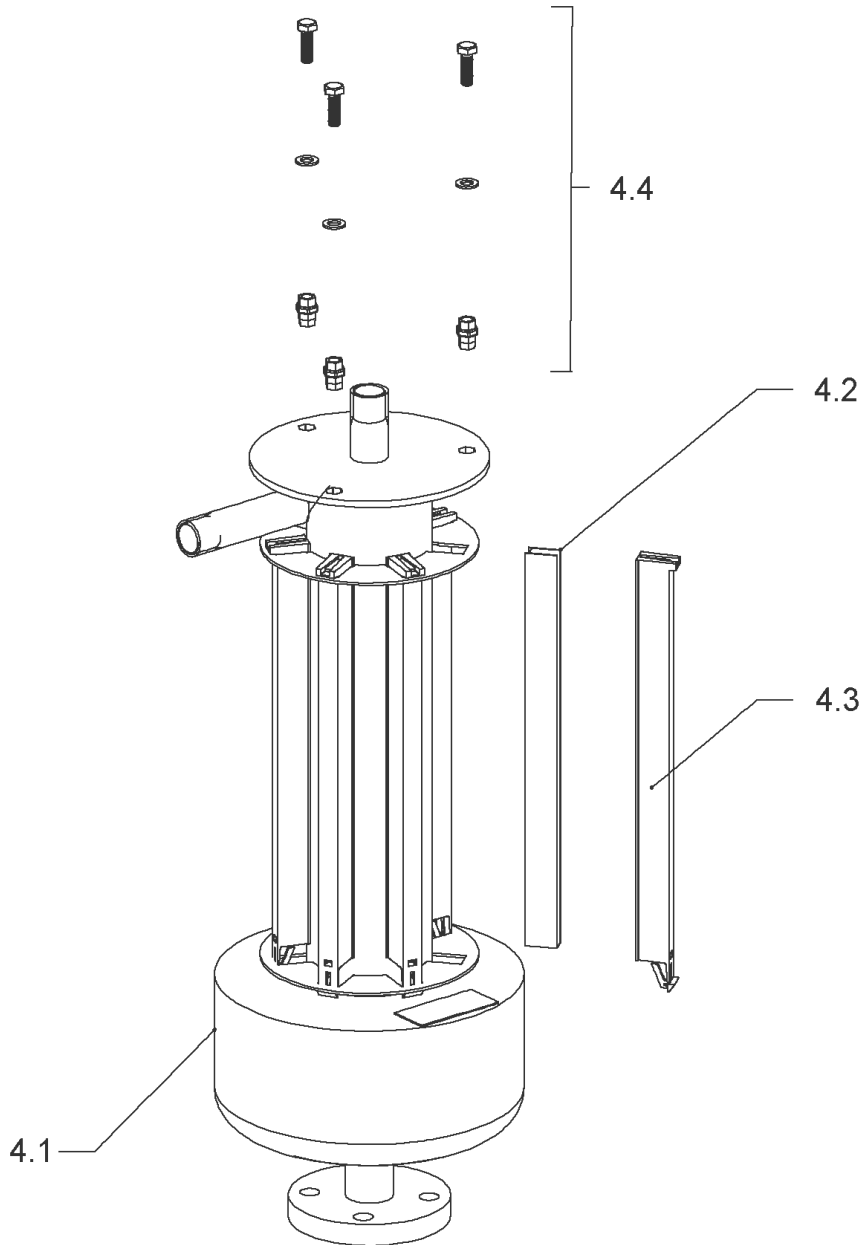
W090110-2-F188L 400V/50Hz 2.2kW IE3

Item	Article no.	Description	Quantity
Note: Please give the data from type plate of the motor			
2.13	2111322	FAN HOOD BG90 ELEC KIT	1
Note: Please give the data from type plate of the motor			
2.13A		> FAN COVER IEC90 KTL ST14 T0.8 H70	1
2.13B	2111323	> SCREW M4X6 (4 PIECES)	1
Note: Please give the data from type plate of the motor			
2.15	2162535	Terminal box cpl.BG90 ABS ELEC KIT	1
Note: Please give the data from type plate of the motor			
2.15A		> Terminal box cover 3~ ABS IEC	1
2.15B		> Terminal box 3~ ABS IEC INSERTING	1
2.15D	2111327	> TERMINAL BOARD 50X32 M4 3~ CPL. ELEC KIT	1
Note: Please give the data from type plate of the motor			
2.15E	2111329	> GASKETS/SCREWS F.TERM.BOX BG90 ELEC KIT	1
Note: Please give the data from type plate of the motor			
2.15F		> Frame Closing IEC	1
2.18	2164016	O-Ring ID47.2x3.53 EPDM VP.	1



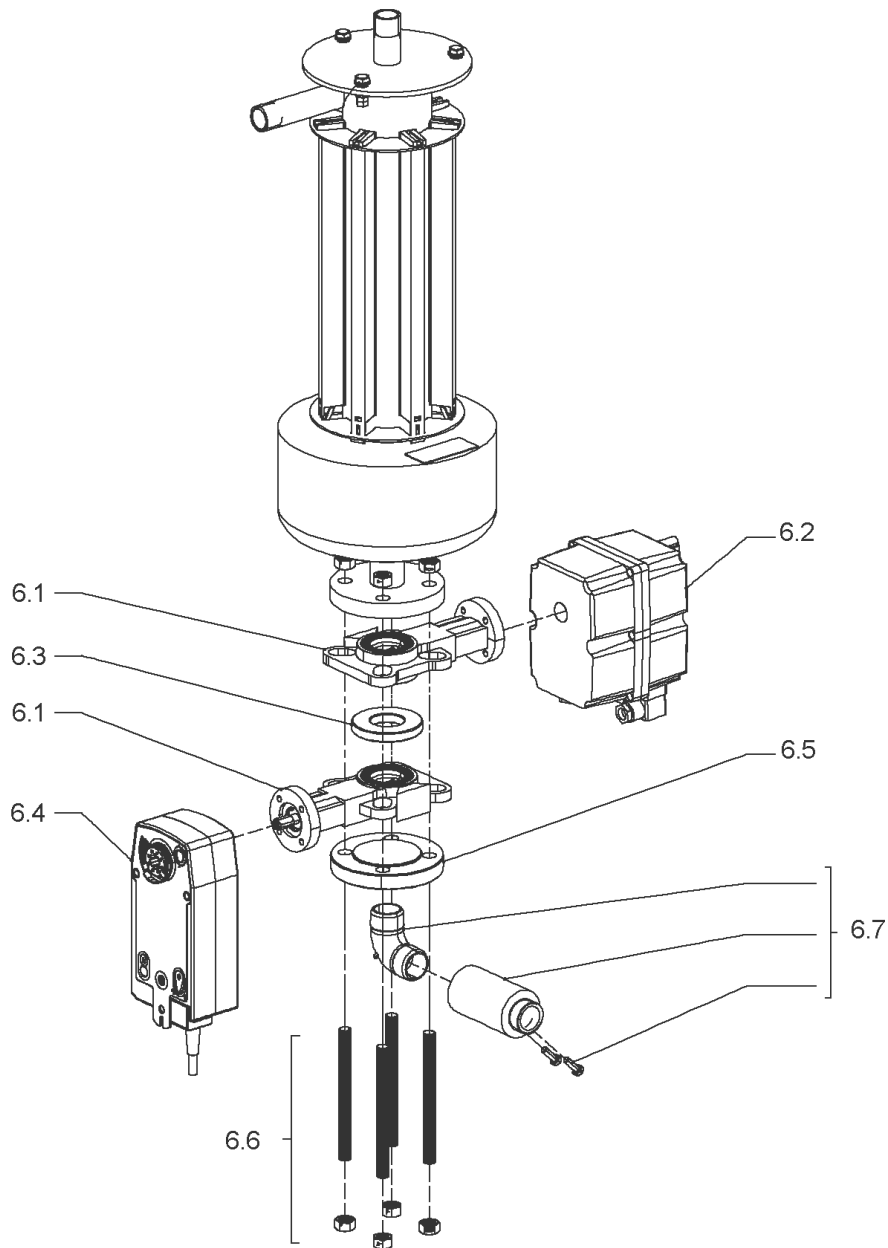
Frame SICLEAN Comfort T2 KIT (4216872)

Item	Article no.	Description	Quantity
3.1	4215041	VIBRATION DAMPER 50x30 KIT	1
3.2	4217153	Ground braid Kit	1



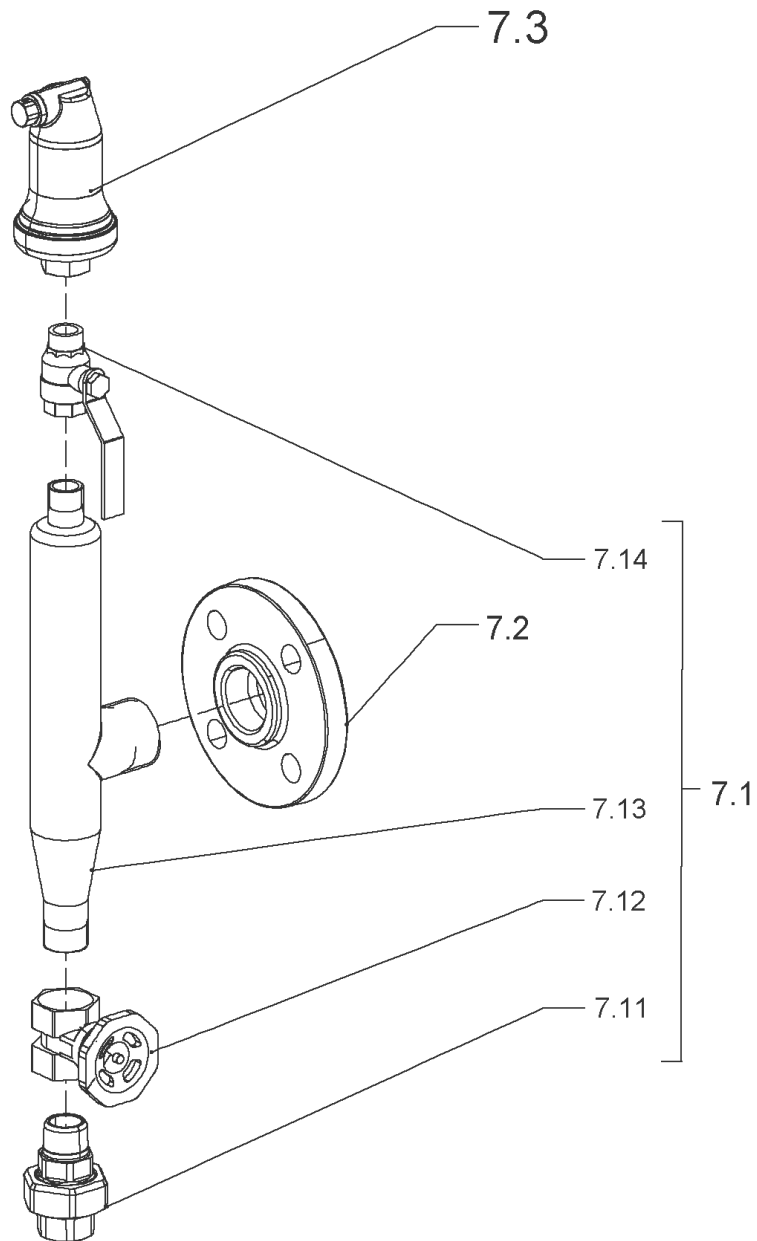
Separator SiClean COMFORT 50 KIT (4217108)

Item	Article no.	Description	Quantity
4.1		SEPARATOR_SICLEAN_COMFORT-50	1
4.2	4215044	BAR-MAGNETIC-300x23x11,5 VP.	1
4.3	4215045	Jacket. aim.Clean comf 300x23x11.5 VP.	1
4.4	4216875	Kit Screws M10X25	1



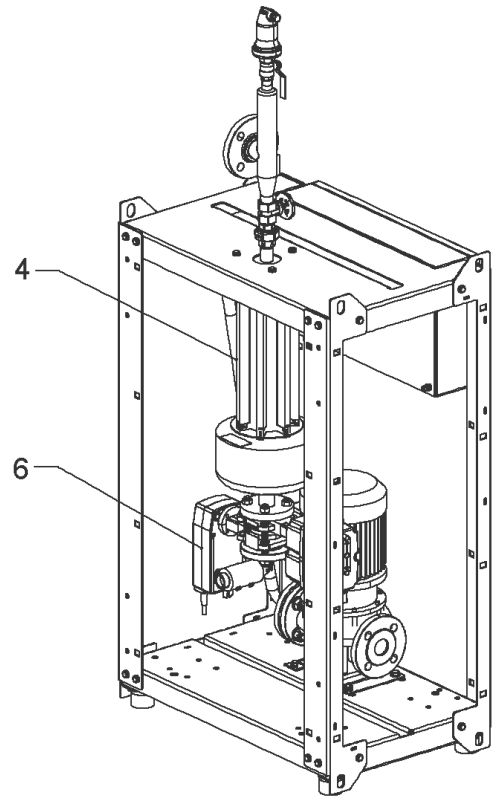
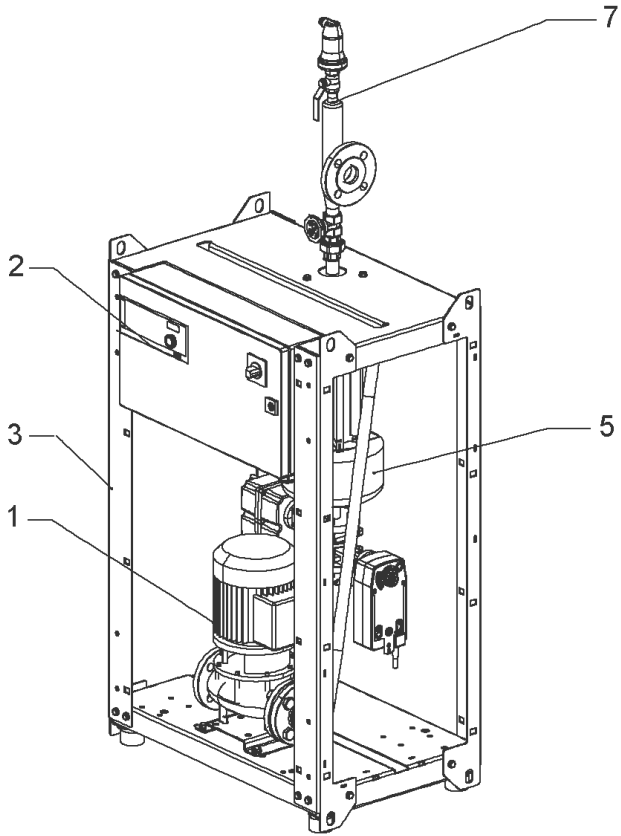
Purge SiClean comfort KIT (4215049)

Item	Article no.	Description	Quantity
6.1	4215050	BUTTERFLY VALVE _PN16_304_F05 VP.	1
6.2	4216698	SERVOMOTOR-24V VP.	1
6.3	4215055	SPACER DN25-71x34x10 VP.	1
6.4	4215056	SERVOMOT_SECURITE_NF20NmAC/DC-24V_3M VP.	1
6.5	4215057	CBV_1"_DN25_PN16_ACIER_ZN_BL VP.	1
6.6	4215058	STUD BOLT VP.	1
6.7	4215059	LEAK-SENSOR-1"-M/F KIT.	1



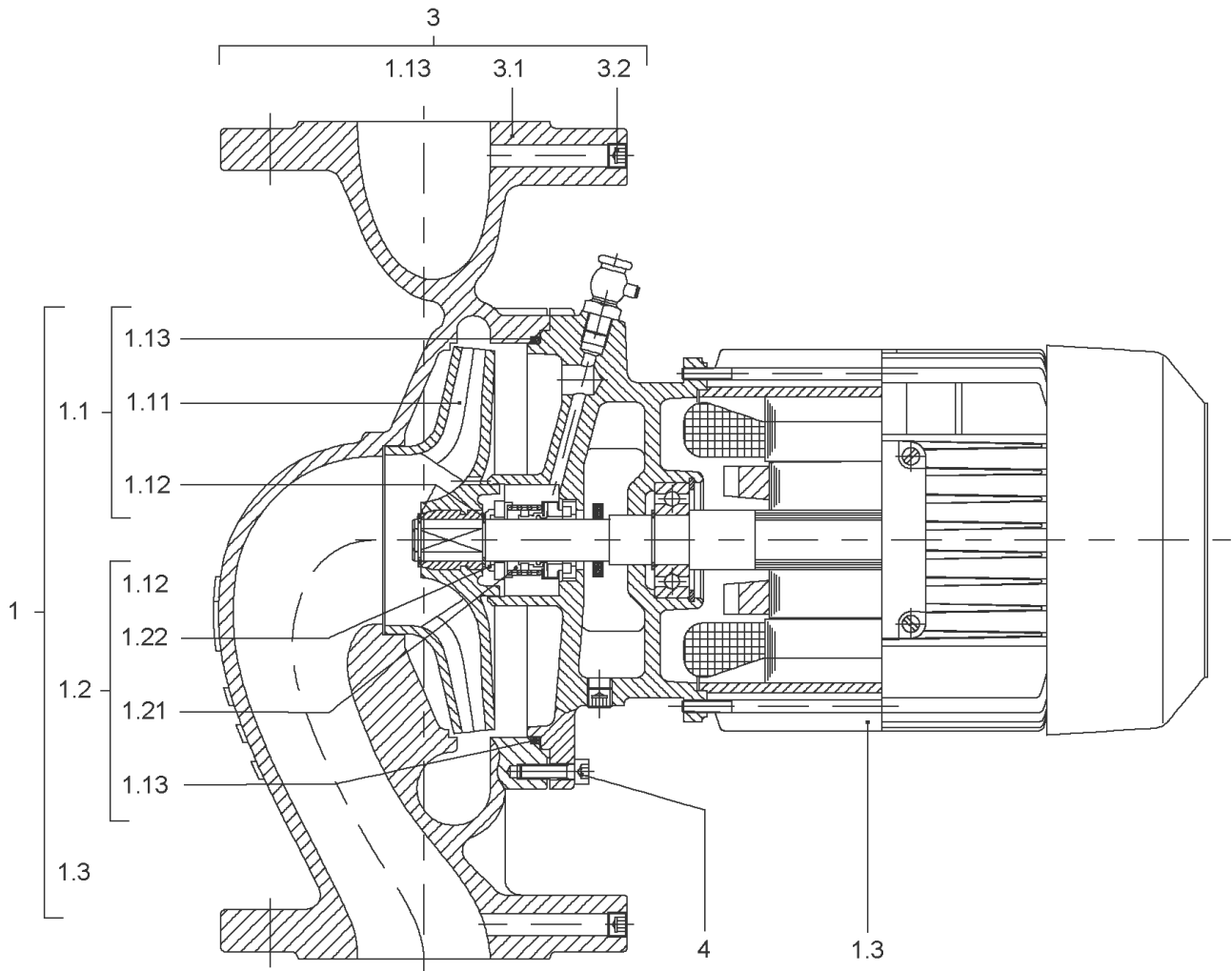
Separator outlet SiClean comf. 50 KIT (4216864)

Item	Article no.	Description	Quantity
7.1	4217148	De-aerator SiClean 50 Kit	1
7.11	4216791	> GF341-LAI-2"-UNION-M/F-JT-CONIQUE VP.	1
7.12	4216805	> GATE VALVE PD-2"-F/F-PN10-Laiton VP.	1
7.13		> Degazing unit SiClean comfort 50	1
7.14	4215096	> VALVE-BS-1/2"-M/F-PS10-BRASS-NICK VP.	1
7.2	4216831	CF_3"-PN10/16-Steel_ZN_BL VP.	1
7.3	4215097	STEAM TRAP BRASS FEM.1/2"-10B-110°C VP.	1



SiClean comfort_65 (4194914)

Item	Article no.	Description	Quantity
1		IPL40/115-0,55/2	1
2	4217164	KIT W-Control SC-C-1x10A-T34-DOL-WM	1
3	4216872	Frame SICLEAN Comfort T2 KIT	1
4	4217109	Separator SiClean COMFORT 65 KIT	1
5	4217095	Link separator SiClean 65 KIT	1
6	4215049	Purge SiClean comfort KIT	1
7	4216865	Separator outlet SiClean conf. 65 KIT	1



IPL40/115-0,55/2

Item	Article no.	Description	Quantity
1	122098290	Exchange kit IPL40/115-0,55/2	1
1.1	122092498	> IMPELLER D.48/105,5/17 KIT	1
1.11		>> Impeller D.48/105,5/17X5,4 PPO FE1630	1
1.12	2123932	>> CIRCLIP 17X1 DIN471 A2 1.4122 VP.	1
1.13	2010300	>> O-RING ID.107,54X3,53	1
1.2	122097593	> Mechanical seal ID.17 AQ1EGG KIT	1
1.12	2123932	>> CIRCLIP 17X1 DIN471 A2 1.4122 VP.	1
1.13	2010300	>> O-RING ID.107,54X3,53	1
1.13	2010301	>> O-RING ID.117,07X3,53	1
1.13	2054183	>> O-RING ID.158,34X3,53 E7518	1
Note: TO/ BIS/ JUSQU'À: 03/03			
1.13	2046358	>> O-RING ID.164,7X3,53 E7518 VP.	1
Note: FROM/ AB/ À PARTIR: 04/03			
1.21		>> MECHANICAL SEAL ID.17 AQ1EGG	1
1.22		>> Distance ring D.17/30X9 PPO FE1630	1
1.3		> Motor	1
		SPARE PARTS MOTOR 0,55/2/71 F154 IE2	1
3	2016513	PUMP HOUSING IPL40/115/IP-E40/2 KIT	1
1.13	2010300	> O-RING ID.107,54X3,53	1
3.1		> PUMP HOUSING IP-E40/108,5 CPL.WILO	1
4	2043006	SCREW M6X20 ISO4762 8.8 (4 PIECES)	1

Motor-Typenschild / Motor type plate / Plaque identité moteur

Bei Ersatzteilbestellung Motorhersteller / Motordaten beachten!
Consider motor manufacturers / motor data for order of spare parts!
Pour les commandes de pièce détachée, indiquer le fabricant / les données du moteur!

ATB

ATB IE2 CE
 3-Mot. AF 132S/2F - 11S + E 2 /0509 IE2-88,1%
 S1 132S IMV1 224039411-1 522058X
 IP 55 Th. Cl. 155(F) SCHWINGGROESSENSTUFE B
 KD_NR.2064705

kW	V	Hz	A	1/min	cos φ
7,5	Y/Δ690/400	50	7,9 / 13,7	2890	0,90
7,5	Δ460	60	11,8	3510	0,89

Made in Germany 50 kg EN 60034

TEE

TEE ELECTRIC MOTORS
 ANKILAR.AA-TURKEY
 2089004 CE IE2

3-Mot. QZE FS 80M2D80-F188 Icl F S1 Kg 13
 N° 0001
 04012011 IP 55 IM

V Δ/Y	Hz	min ⁻¹	kW	cos φ	A	η
230 / 400	50	2885	1,1	0,89	4,2 / 2,4	IE2-79,6%
265 / 460	60	3460	1,27	0,89	4,0 / 2,8	

Load Efficiency
 940 79,1%
 976 79,1%

WILO ELEC

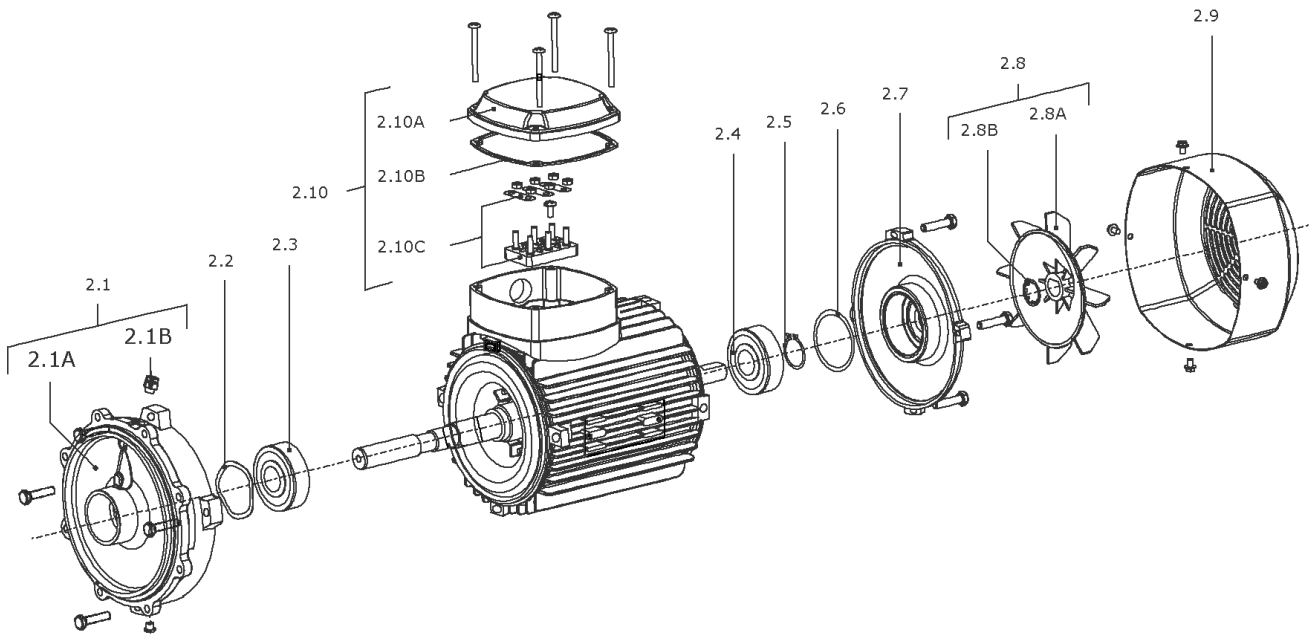
3-Induction Motor
 Made by WILCO Group CE

3501437 W080090-2-F188 0902.001
 Class F S1 IP55 13.5kg EN60034

50Hz	1.10kW	2850min ⁻¹	60Hz	1.29kW	3435min ⁻¹
Δ/Y 230/400V		4.02/2.32A	Y 440-480V		2.40-2.32A
cosφ=0.82		IE2-81.5%	cosφ=0.85		IE2-82.5%

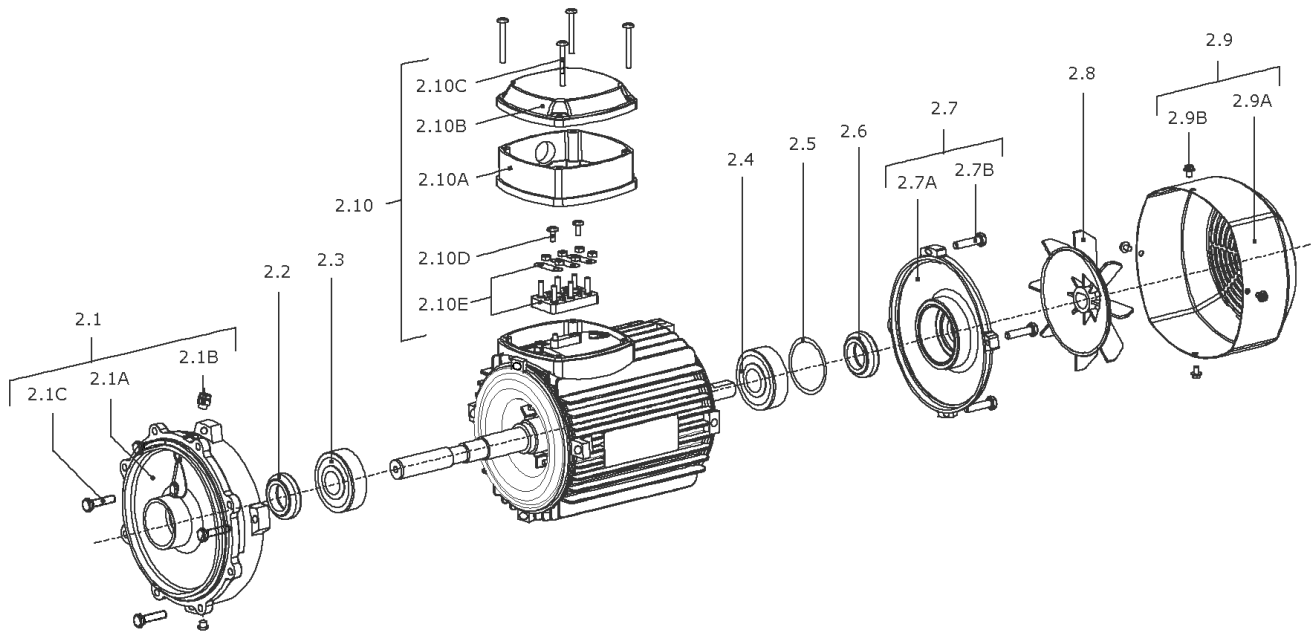
SPARE PARTS MOTOR 0,55/2/71 F154 IE2

Item	Description	Quantity
ATB	MOTOR 0,55/2/71 F154 ATB IE2	1
TEE	MOTOR 0,55/2/71 F154 TEE IE2	1
ELEC	Motor W071080-2-F154 400V/50Hz 0.55kw	1
Note: Motor 3501996		
ELEC	MOTOR W071065-2-F154L 400/50 0.55kW IE2	1
Note: Motor 3504475		
ELEC	W071080-2-F154L T0.55-405YIE2F55	1
Note: Motor 3513234		



MOTOR 0,55/2/71 F154 ATB IE2

Item	Article no.	Description	Quantity
2.1	2125446	END SHIELD BG71 D.E.ATB KIT	1
Note: Please give the data from type plate of the motor			
2.1A		> END SHIELD BG71 D.E.567892 ATB	1
2.1B	2027201	> BLOWGUN R1/8" VP.	1
Note: Please give the data from type plate of the motor			
2.2	2090403	SHIM BALL BEARING BG71 ATB VP.	1
Note: Please give the data from type plate of the motor			
2.3	121084499	BALL BEARING 6204/2Z-C3 (HT) VP.	1
Note: Please give the data from type plate of the motor			
2.4	122097891	BALL BEARING 6202/2Z-C3 (HT) VP.	1
Note: Please give the data from type plate of the motor			
2.5	2123932	CIRCLIP 17X1 DIN471 A2 1.4122 VP.	1
Note: Please give the data from type plate of the motor			
2.5	2046120	CIRCLIP 40X1,75 DIN472 A2	1
Note: Please give the data from type plate of the motor			
2.6	2096271	SPACER DISC BG71/80 ATB VP.	1
Note: Please give the data from type plate of the motor			
2.7	2125436	END SHIELD BG71/80 N.D.E.ATB VP.	1
Note: Please give the data from type plate of the motor			
2.8	122093297	FAN WHEEL BG71 ATB KIT	1
Note: Please give the data from type plate of the motor			
2.8A		> FAN WHEEL BG71/80 106152 ATB	1
2.8B	2123923	> CORRUGATED SLEEVE RING BG71 ATB VP.	1
Note: Please give the data from type plate of the motor			
2.9	2046448	FAN HOUSING BG71/80 ATB VP.	1
Note: Please give the data from type plate of the motor			
2.10	2123996	TERMINAL BOX CPL.BG71-80 ATB KIT	1
Note: Please give the data from type plate of the motor			
2.10A	2114271	> Term.box cover+gasket BG71/80 ATB VP.	1
Note: Please give the data from type plate of the motor			
2.10C	2096208	> TERMINAL BOARD BG71/80 ATB VP.	1
Note: Please give the data from type plate of the motor			

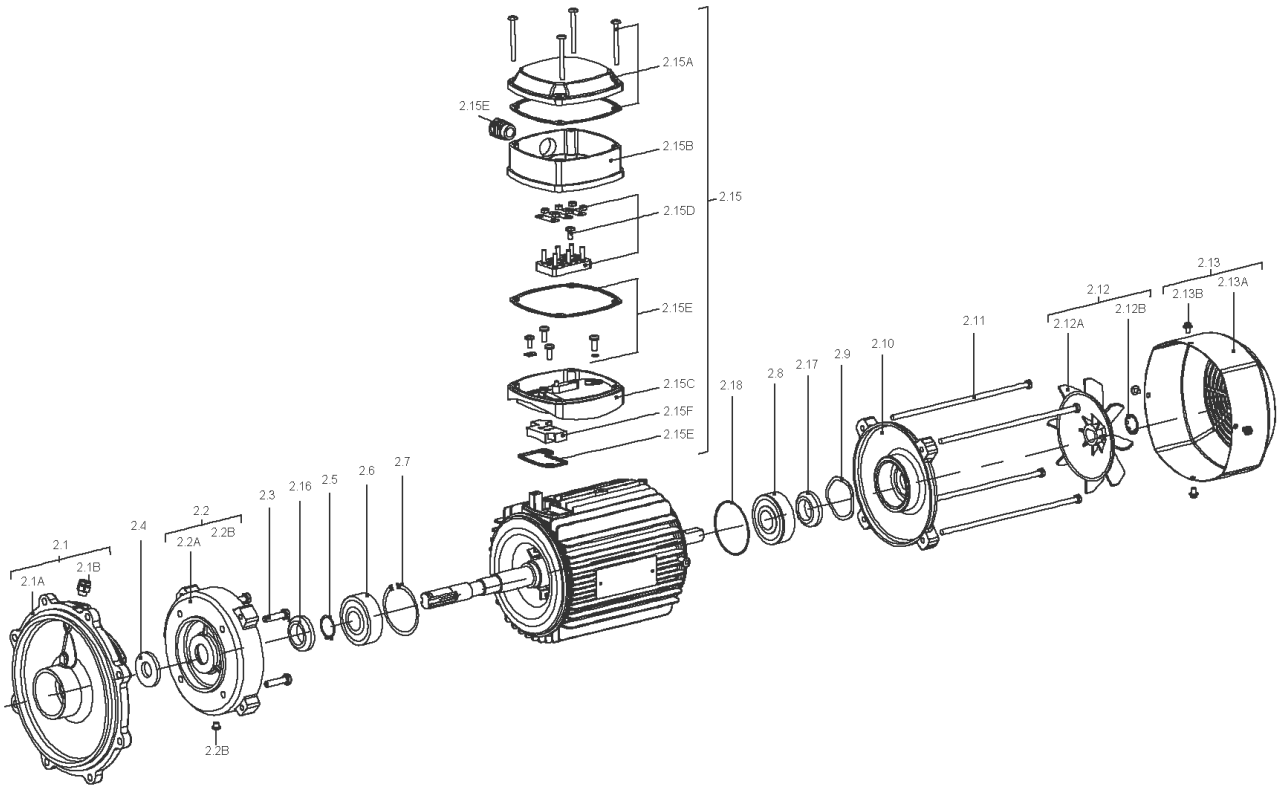


MOTOR 0,55/2/71 F154 TEE IE2

Item	Article no.	Description	Quantity
2.1	2116805	END SHIELD BG71-F154 D.E.TEE KIT	1
Note: Please give the data from type plate of the motor			
2.1A		> END SHIELD BG71 644304301-K D.E.TEE	1
2.1B	2027201	> BLOWGUN R1/8" VP.	1
Note: Please give the data from type plate of the motor			
2.1C	2118374	> SCREW F.END SHIELD BG71 TEE (8 PIECES)	1
Note: Please give the data from type plate of the motor			
2.3	2046960	BALL BEARING 6204/2RS-C3 (HT) VP.	1
Note: Please give the data from type plate of the motor			
2.4	122097891	BALL BEARING 6202/2Z-C3 (HT) VP.	1
Note: Please give the data from type plate of the motor			
2.5	2118369	SPACER DISK BG71 TEE VP.	1
Note: Please give the data from type plate of the motor			
2.6	2096376	JOINT RING 15X24X5 TEE VP.	1
Note: Please give the data from type plate of the motor			
2.7	2116827	END SHIELD BG71-F154/188 N.D.E.TEE KIT	1
Note: Please give the data from type plate of the motor			
2.7A		> END SHIELD BG71 643407701 N.D.E.TEE	1
2.7B	2118374	> SCREW F.END SHIELD BG71 TEE (8 PIECES)	1
Note: Please give the data from type plate of the motor			
2.8	2116776	FAN WHEEL BG71-80 TEE VP.	1
Note: Please give the data from type plate of the motor			
2.9	2118380	FAN HOUSING BG71 TEE KIT	1
Note: Please give the data from type plate of the motor			
2.9A		> FAN HOUSING BG71 642300401 TEE	1
2.9B	2116846	> SCREW F.FAN COVER BG71/80 TEE (4 PIECES)	1
Note: Please give the data from type plate of the motor			
2.10	2118375	TERMINAL BOX BG71/80 TEE KIT	1
Note: Please give the data from type plate of the motor			
2.10A	2116758	> TERMINAL BOX BOTTOM PART BG71-80 TEE VP.	1
Note: Please give the data from type plate of the motor			
2.10B	2116766	> TERMINAL BOX COVER BG71-80 TEE VP.	1
Note: Please give the data from type plate of the motor			
2.10C	2116835	> SCREW F.TERM.BOX BG71-112 TEE (4 PIECES)	1

MOTOR 0,55/2/71 F154 TEE IE2

Item	Article no.	Description	Quantity
Note: Please give the data from type plate of the motor			
2.10D	2116835	> SCREW F.TERM.BOX BG71-112 TEE (4 PIECES)	1
Note: Please give the data from type plate of the motor			
2.10E	2116783	> TERMINAL BOARD BG71-80 TEE KIT	1
Note: Please give the data from type plate of the motor			
		>> TERMINAL BOARD BG71-80 641611501 TEE	1
	2132505	>> FIXING TERMINAL BOARD BG63-80 TEE VP.	1
Note: Please give the data from type plate of the motor			

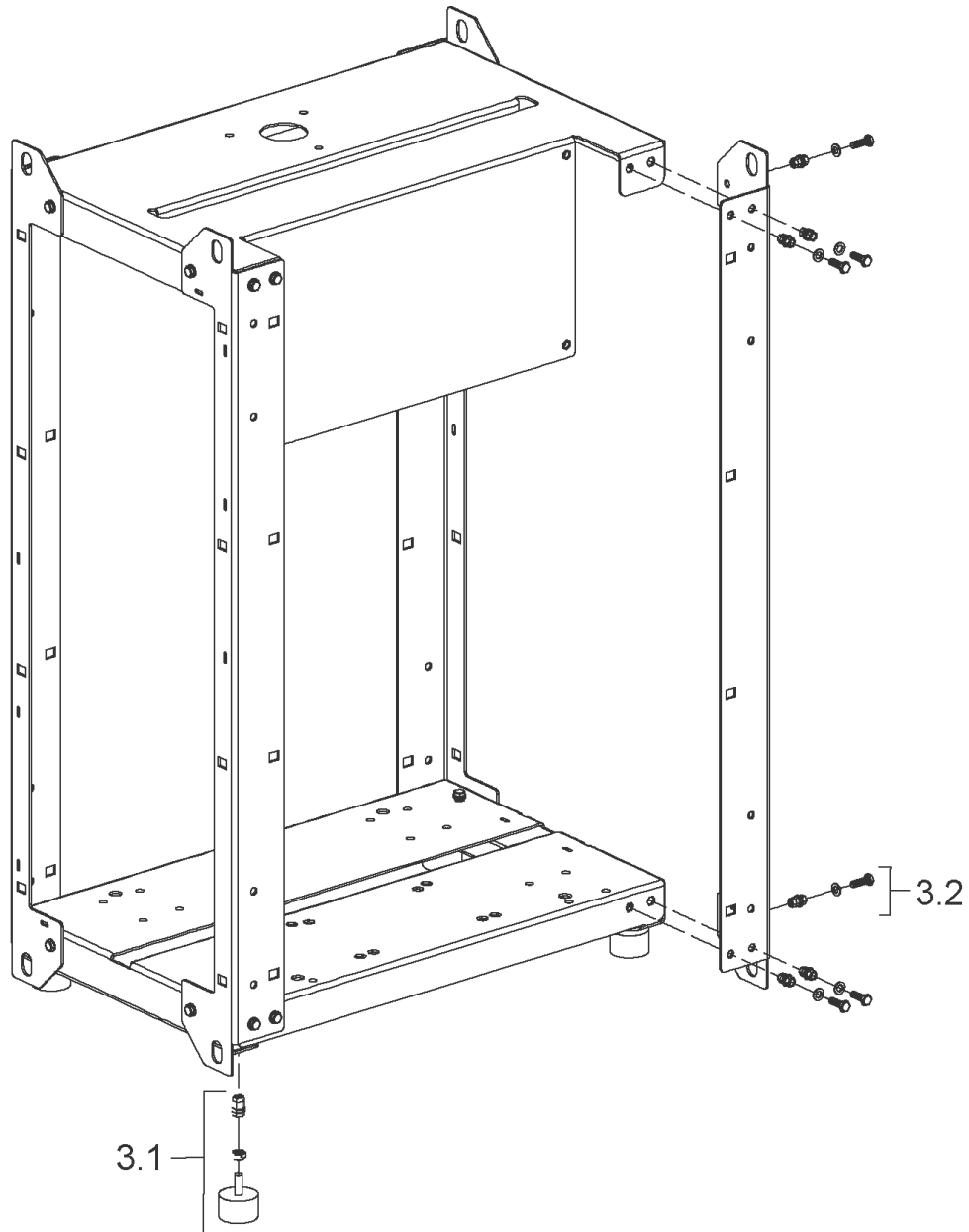


Motor W071080-2-F154 400V/50Hz 0.55kw

Item	Article no.	Description	Quantity
2.1	2111303	FLANGE END SHIELD BG71F154 D.E.ELEC KIT	1
Note: Please give the data from type plate of the motor			
2.1A		> LANTERN V18 M85-F154 KTL	1
2.1B	2027201	> BLOWGUN R1/8" VP.	1
Note: Please give the data from type plate of the motor			
2.2	2111310	END SHIELD BG71 V18 D.E.ELEC KIT	1
Note: Please give the data from type plate of the motor			
2.2A		> Flange IEC71 V18 (w/o thread)	1
2.2B	2111309	> CONDENSATE HOLE GASKET D5 VP.	1
Note: Please give the data from type plate of the motor			
2.3	2111313	SCREW M6X30 6.8 (4 PIECES)	1
Note: Please give the data from type plate of the motor			
2.4	2111324	THROWER D.36X4 VP.	1
Note: Please give the data from type plate of the motor			
2.5	2111332	CIRCLIP D.17 GB894.1 VP.	1
Note: Please give the data from type plate of the motor			
2.6	2111341	BALL BEARING 6203 DDW C3 EA6 VP.	1
Note: Please give the data from type plate of the motor			
2.7	2111335	CIRCLIP D.40 GB893.1 VP.	1
Note: Please give the data from type plate of the motor			
2.8	2111340	BALL BEARING 6202 DDW C3 EA6 VP.	1
Note: Please give the data from type plate of the motor			
2.9	2111338	SPRING RING D.35 VP.	1
Note: Please give the data from type plate of the motor			
2.10	2163997	Flange BG71 N.D.E.Elec KIT	1
Note: Please give the data from type plate of the motor			
		> Flange IEC71 NDS with slot reduce0.5	1
		> O-RING ID35*3 EPDM	1
2.11	2111318	SCREW M5X169 6.8 (4 PIECES)	1
Note: Please give the data from type plate of the motor			
2.12	2107778	FAN WHEEL BG71/80 ELEC KIT	1
Note: Please give the data from type plate of the motor			
2.12A		> FAN 110x15x15.3 GP2200 G/F20%	1
2.12B	2111321	> STOP-RING D.14,8x0,4 VP.	1

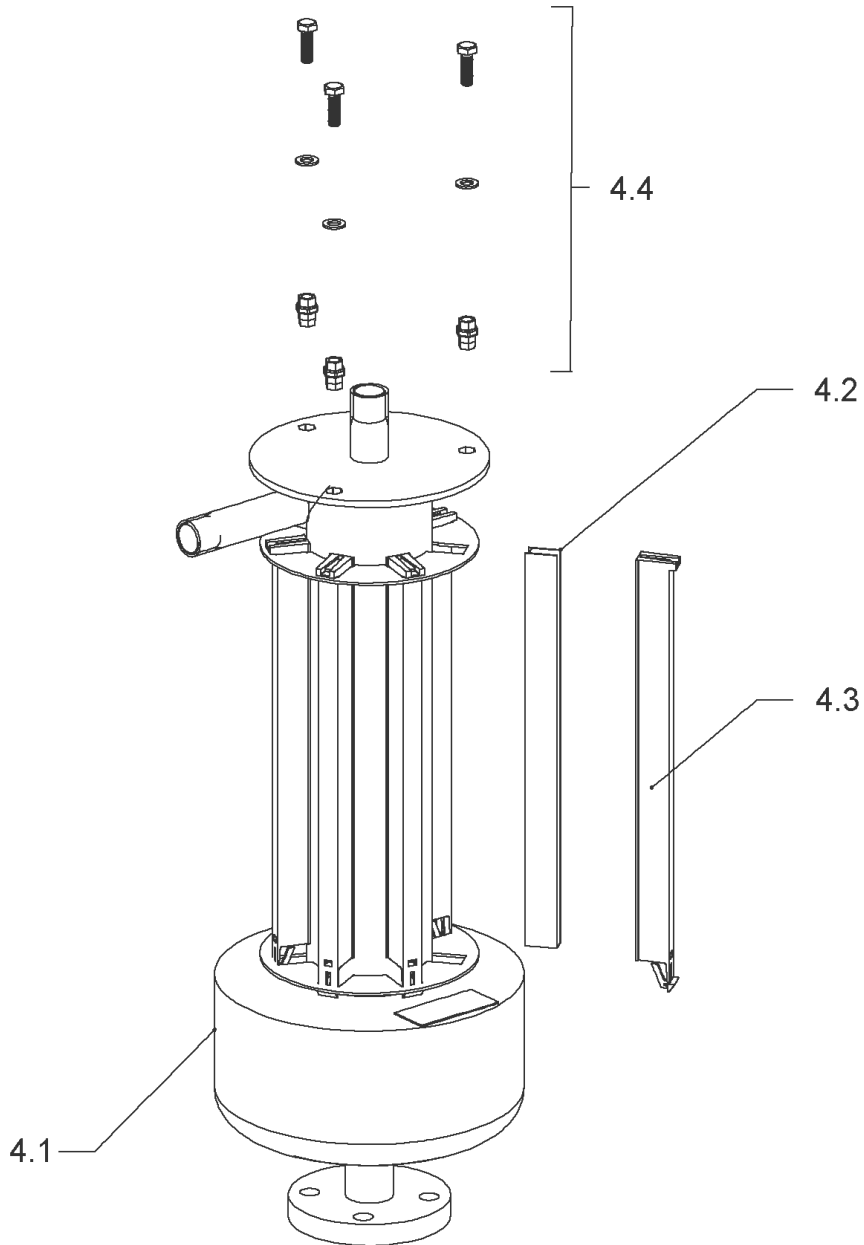
Motor W071080-2-F154 400V/50Hz 0.55kw

Item	Article no.	Description	Quantity
Note: Please give the data from type plate of the motor			
2.13	2107783	FAN HOOD BG71 ELEC KIT	1
Note: Please give the data from type plate of the motor			
2.13A		> FAN COVER IEC71 KTL ST14 T0.8 H60	1
2.13B	2111323	> SCREW M4X6 (4 PIECES)	1
Note: Please give the data from type plate of the motor			
2.15	2162533	Terminal box cpl.BG71/80 ELEC ABS KIT	1
Note: Please give the data from type plate of the motor			
2.15A		> Terminal box cover 3~ ABS IEC	1
2.15B		> Terminal box 3~ ABS IEC INSERTING	1
2.15D	2111327	> TERMINAL BOARD 50X32 M4 3~ CPL. ELEC KIT	1
Note: Please give the data from type plate of the motor			
2.15E	2111328	> GASKETS/SCREWS F.TERM.BOX 71/80 ELEC KIT	1
Note: Please give the data from type plate of the motor			
2.15F		> Frame Closing IEC	1
2.18	2163998	O-Ring ID35*3 EPDM VP.	1



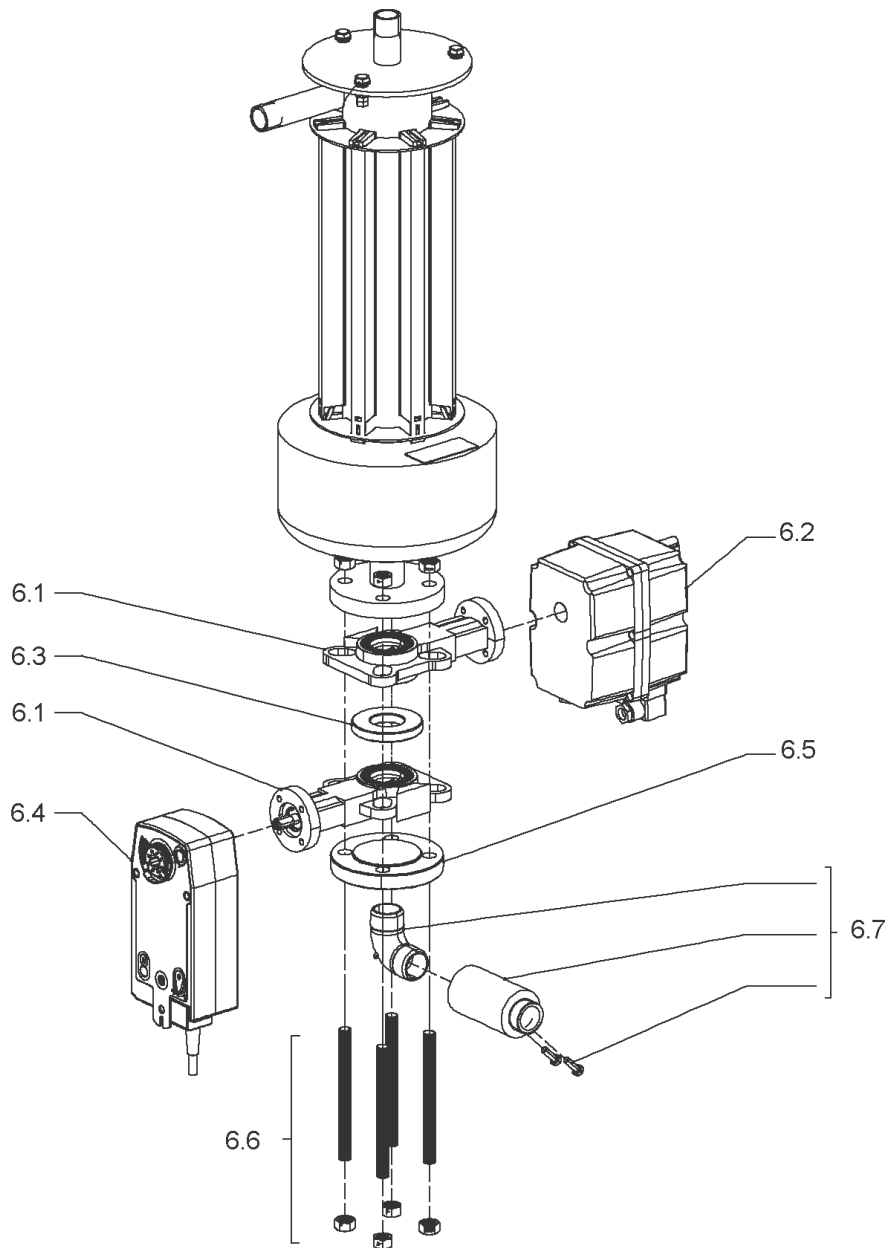
Frame SICLEAN Comfort T2 KIT (4216872)

Item	Article no.	Description	Quantity
3.1	4215041	VIBRATION DAMPER 50x30 KIT	1
3.2	4217153	Ground braid Kit	1



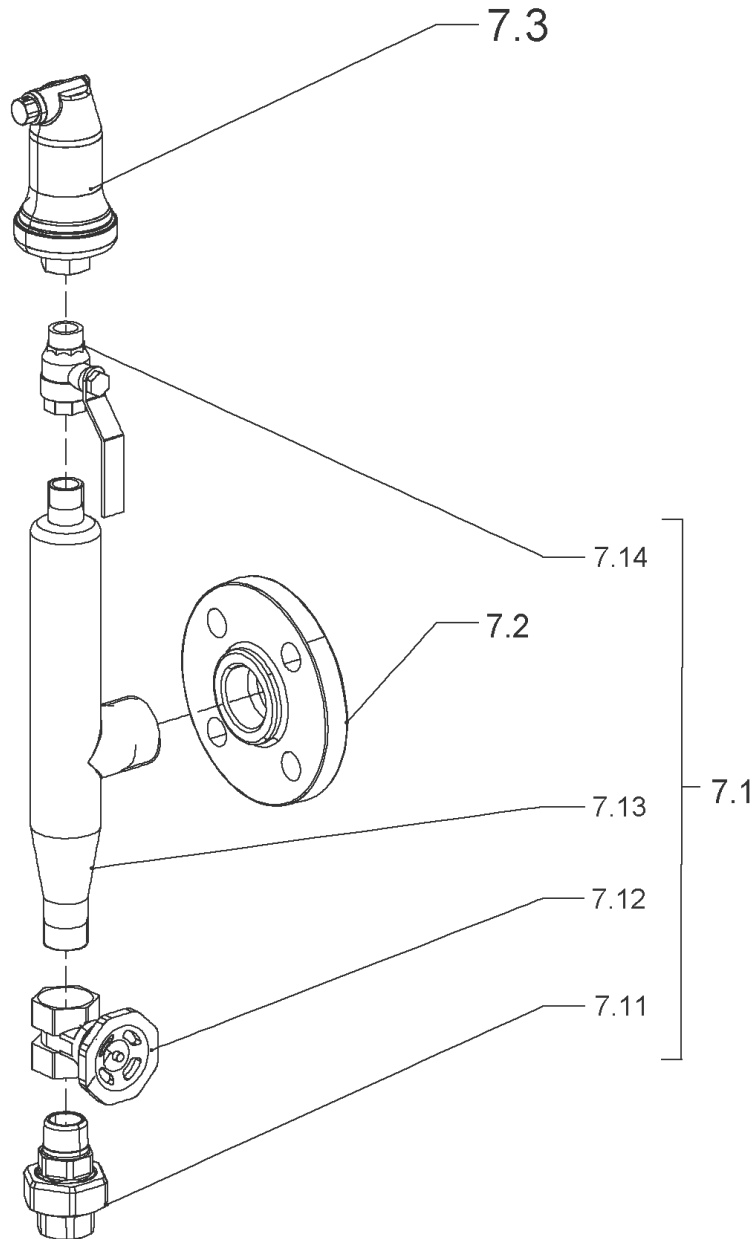
Separator SiClean COMFORT 65 KIT (4217109)

Item	Article no.	Description	Quantity
4.1		SEPARATOR_SICLEAN_COMFORT-65	1
4.2	4215044	BAR-MAGNETIC-300x23x11,5 VP.	1
4.3	4215045	Jacket. aim.Clean comf 300x23x11.5 VP.	1
4.4	4216875	Kit Screws M10X25	1



Purge SiClean comfort KIT (4215049)

Item	Article no.	Description	Quantity
6.1	4215050	BUTTERFLY VALVE _PN16_304_F05 VP.	1
6.2	4216698	SERVOMOTOR-24V VP.	1
6.3	4215055	SPACER DN25-71x34x10 VP.	1
6.4	4215056	SERVOMOT_SECURITE_NF20NmAC/DC-24V_3M VP.	1
6.5	4215057	CBV_1"_DN25_PN16_ACIER_ZN_BL VP.	1
6.6	4215058	STUD BOLT VP.	1
6.7	4215059	LEAK-SENSOR-1"-M/F KIT.	1



Separator outlet SiClean comf. 65 KIT (4216865)

Item	Article no.	Description	Quantity
7.1	4217149	De-aerator SiClean 65 Kit	1
7.11	4216792	> GF341-LAI-2"1/2-M/F-MAN-UNION-JT-CON VP.	1
7.12	4216806	> GATE VALVE PD-2"1/2-F/F-PN10-Laiton VP.	1
7.13	4215096	> VALVE-BS-1/2"-M/F-PS10-BRASS-NICK VP.	1
7.14		> Degazing unit SiClean comfort 65	1
7.2	4216832	CF_4"-PN10/16-Steel_ZN_BL VP.	1
7.3	4215097	STEAM TRAP BRASS FEM.1/2"-10B-110°C VP.	1