

# Verderflex EV3000



VERDERFLEX®

## Verderflex Economy EV3000 Specifications

Speeds	30 to 250 RPM
Control	Manually controlled through potentiometer, fast prime, reversible
Pumphead	Aluminium alloy with support bearing
Rotor Assembly	Aluminium alloy, anodised finish, 2 rollers
Voltage	110/230V 50/60Hz
Installed Motor Power	150W
Protection Class	IP30
Standard Tube Options	Verderprene and Silicone
Standard Tube Sizes	6.4 x 3.2 mm, 8.0 x 3.2 mm, 9.6 x 3.2 mm
Weight	3.0 kg

## Flow Rates

Tube	Min. Flow (ml/min)	Max. Flow (ml/min)
6.4 x 3.2	210	1,925
8.0 x 3.2	330	3,025
9.6 x 3.2	420	3,850

Flows are typical and were measured with water at 20°C with no suction lift or discharge pressure. Actual flows will vary according to suction conditions, discharge pressure, tube material and production tolerances.

## Standard Pump Ordering Options

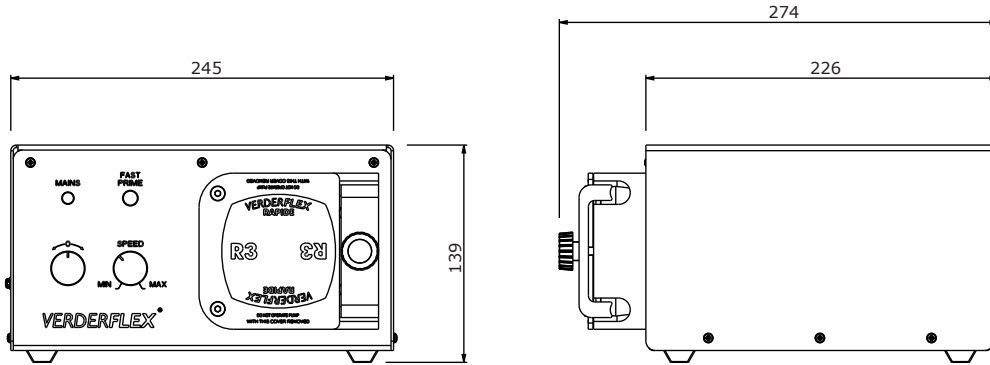
### No Tubing

UK Plug	160.3000	VF ECONOMY EV 3000 No Tube VP UK
European Plug	160.3001	VF ECONOMY EV 3000 No Tube VP EU
US Plug	160.3002	VF ECONOMY EV 3000 No Tube VP US

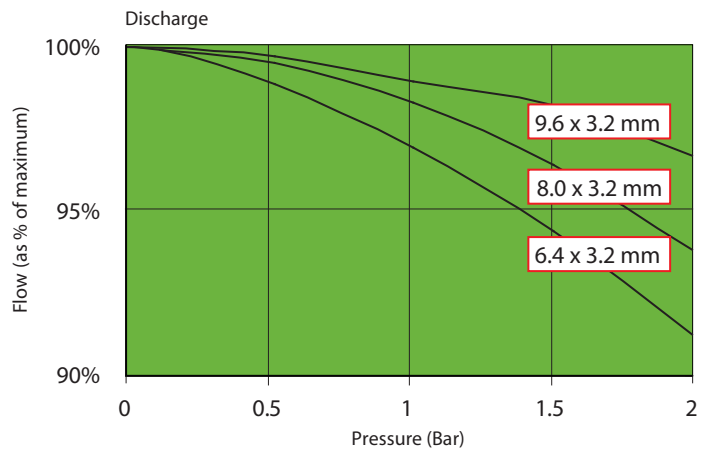
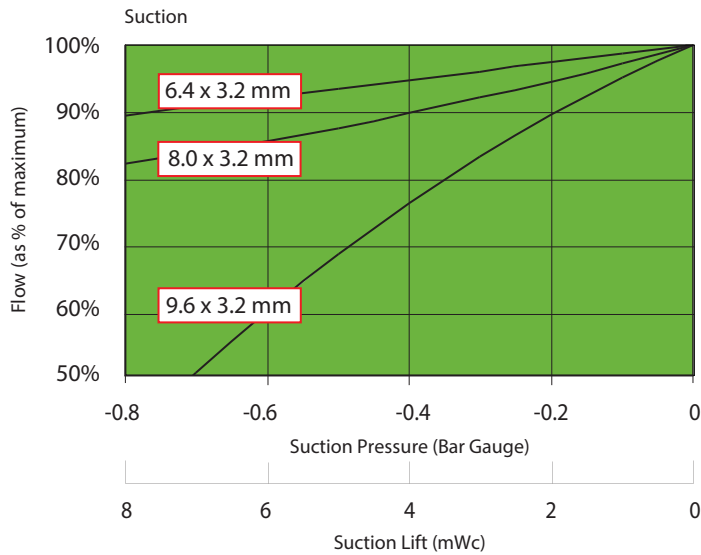
Tubing is ordered separately



# Verderflex EV3000



All dimensions are in mm.  
All dimensions and weights are for guidance only.



Find your local supplier  
at [www.verderflex.com](http://www.verderflex.com)

For construction installation and floor mounting drawings  
please contact your local authorised Verderflex® distributor.

**VERDER**  
passion for pumps