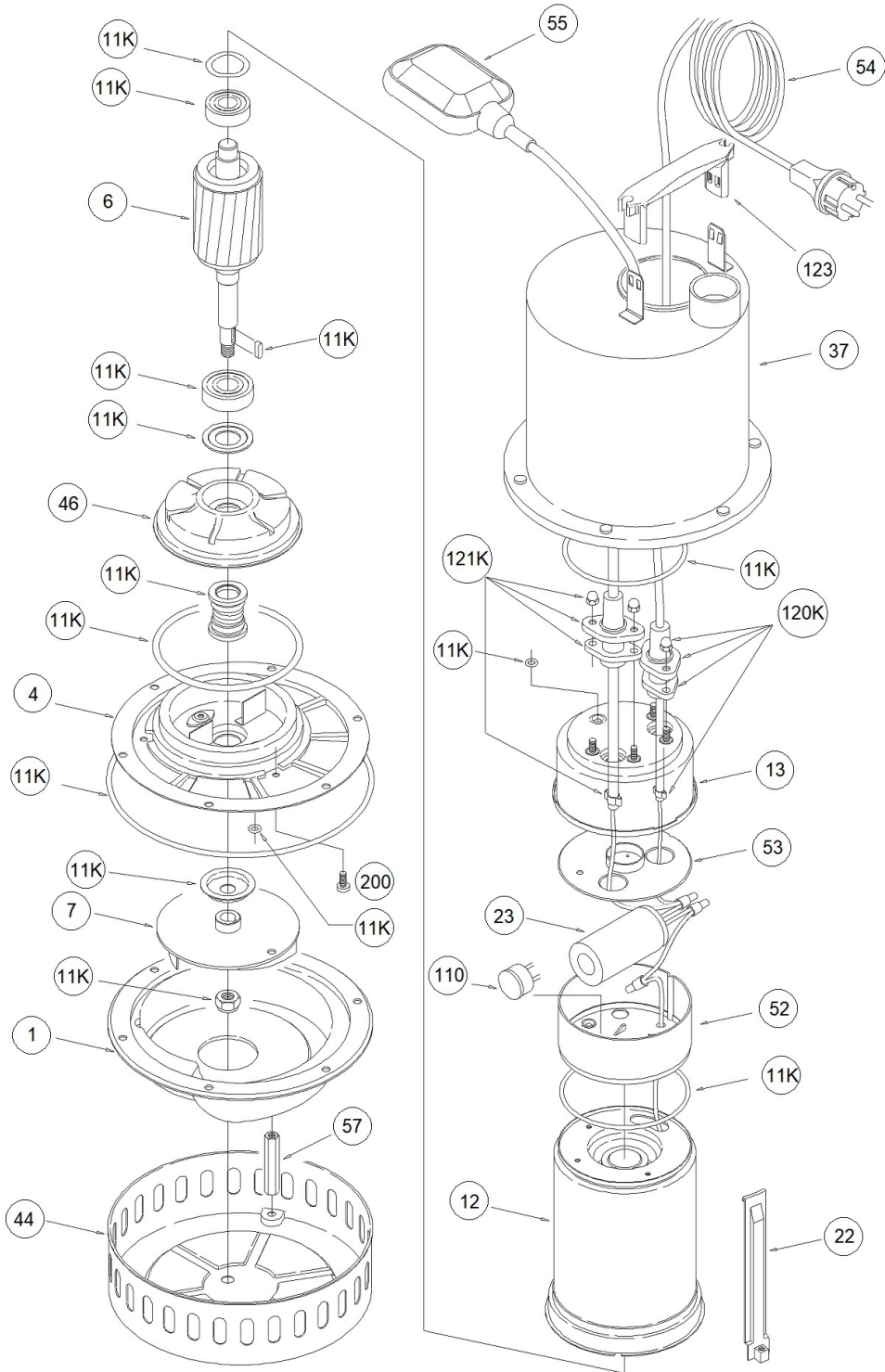


1721101204A-BEST/A 3



1721101204A-BEST/A 3

Position	Code	Description	Qty
1	241445001	CASING	1
4	251402021	MOTOR FLANGE	1
6	275412810	SHAFT	1
7	241450025	IMPELLER	1
11K	364500017	MECHANICAL SEAL KIT	1
12	257902506	MOTOR FRAME	1
13	251402011	MOTOR COVER	1
22	369302016	TIE ROD	3
37	251402014	EXTERNAL PUMP CASING	1
44	241446001	STRAINER	1
46	240480007	BEARING HOUSING	1
52	372582001	TERMINAL INSULATING BOX	1
53	372524003	BOX COVER	1
54	367931061	CABLE	1
57	375434003	SPACER	3
120K	352665015	KIT CABLE CONNECTOR	1
123	251460028	HANDLE	1
200	369600038	SCREW	3