

# Verderflex

## VP2-PH peristaltic tube pump



### Description

Proportional peristaltic tube pump for pH control. Digital peristaltic pump with built in pH controller.

### Features

- Instant display of pH value
- Automatic detection of probe efficiency
- Suitable for the dosage of pH + and pH - chemicals (acid and basic ) selectable by software
- Programming over the entire range of pH 0-14
- Proportionality range definition
- Definition of the pulses numbers inside the proportionality range
- Easy to maintain
- PP Pump casing
- Manual bleed
- IP 55 protection
- Including SCHUKO Plug
- Probe connection input: BNC
- On/off switch

### Optional

- Overdose alarm
- Level probe input instead of overdose alarm

### Technical data

|       | Max l/h | Pressure bar | Max cc | Max operating temperature °C | Tubing material | Tube ø mm | Pump body material | Power c Watt | rpm | Weight kg |
|-------|---------|--------------|--------|------------------------------|-----------------|-----------|--------------------|--------------|-----|-----------|
| 04-01 | 4       | 1            | 66.67  | 65                           | Santoprene      | 5.8 x 9.4 | PP                 | 35           | 30  | 1         |

### Standard installation kit

| 1/2" PP-VL-VT Talco Lip | Foot Filter PP-VL-VT | Suction tube 2 m PVC 4x6 | Delivery tube 2 m PE 4x6 |
|-------------------------|----------------------|--------------------------|--------------------------|
|                         |                      |                          |                          |

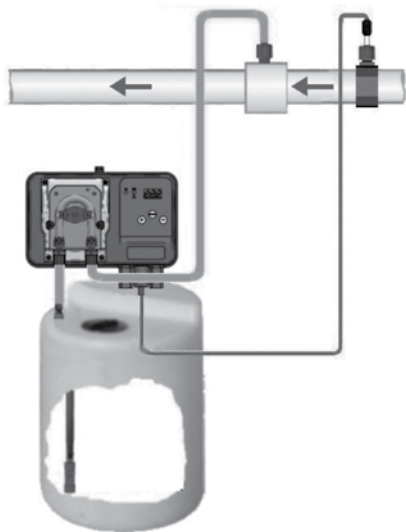
### Additional pH installation kit

| pH probe 5 m cable epoxy body | Buffer solutions pH 7.00 - pH 9.00 | Nr. 2 saddle clamps d.50 att. 1/2" | 1/2" PP probe holder |
|-------------------------------|------------------------------------|------------------------------------|----------------------|
|                               |                                    |                                    |                      |

# Verderflex

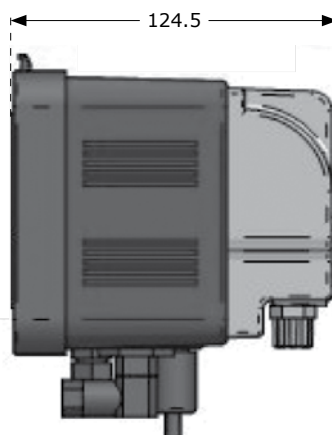
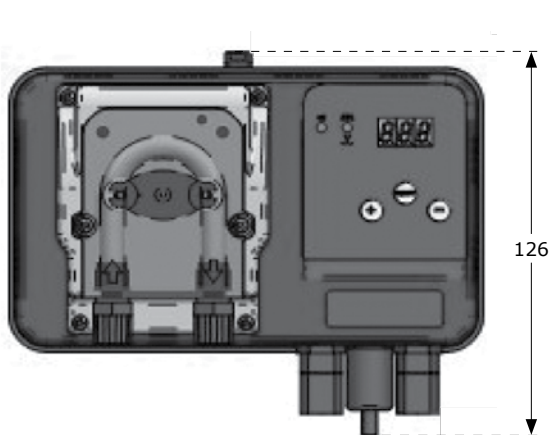
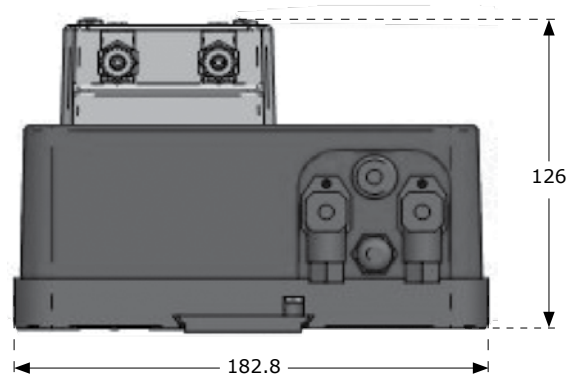
## VP2-PH peristaltic tube pump

VERDERFLEX®



### Dimensions

(in mm)



flex\_VP2-ph\_2015\_rev1\_UK-(uk)



Find your local supplier  
at [www.verderdos.com](http://www.verderdos.com)

For construction, installation and mounting drawings  
please contact your local authorised Verderdos distributor.

**VERDER**  
passion for pumps